



COOLTRON[®]
www.cooltron.com

FANS & BLOWERS

PRODUCTS CATALOGUE





ABOUT COOLTRON



Cooltron Fans

Customer satisfaction is always Cooltron's number one priority. Cooltron values customers' opinions and suggestions, and always tries hard to improve and surpass customer's expectation in all aspects, not only in designs and manufacturing, but also in sales, marketing, logistics, and after services. Cooltron believes only satisfied customers will guarantee long term business and relationship.

Company Overview

Since the incept in California USA in 1999, Cooltron has been designing, manufacturing, and supplying to the worldwide thermal management markets broad lines of fans, blowers, heat sinks, parts and accessories for over 19 years. With devotion to technologies innovation, dedication to customization, strives to best product cost/performance and customer satisfaction, Cooltron has won reputation from global customers in a great variety of application markets such as Telecom & Networking, Power Supply, Industrial, Medical.

Integral & Complete Total Thermal Solutions

Cooltron provides more integral and complete Total Thermal Solutions, starting from Initial Design Cycle, CFD Modeling & Thermal Simulation, Prototype, Pilot Run, Mass Production, Logistic, till After Services for customers' one-stop shopping conveniences.

Beyond Designs & Manufacturing

In addition to designs and manufacturing, Cooltron also consults its customers with competitive sales & marketing strategies to work out the most optimum thermal product that will meet customers' specification requirements and the market positioning as well.

Mission Statement

Cooltron is committed to product excellence and has been continuously striving for innovation and incorporation of new Thermal Management technologies, adoption of new production techniques and materials that help Cooltron make better thermal performance, more energy efficient and longer life time fans, blowers, and heat sinks.

TABLE OF CONTENTS

INTRODUCTION

The Company	1
Table of Contents	2~3
Fan Part Number System	4
Accessory Part Number System	5
Special Options: Ingress Protection Rating	6
IC Functional Waveform	7

DC FANS

Fan Size	Series	Page
25x25x10mm	FD2510-61	8
30x30x06mm	FD3006-71	9
30x30x06mm	FD3006-88	10
30x30x10mm	FD3010-61	11
35x35x10mm	FD3510-71	12
38x38x28mm	FD3828-87	13
40x40x07mm	FD4007-71	14
40x40x10mm	FD4010-61B	15
40x40x10mm	FD4010-88	16
40x40x20mm	FD4020-88	17
40x40x28mm	FD4028-63	18
40x40x28mm	FD4028-88	19
40x40x56mm	FD4056-88H	20
50x50x10mm	FD5010-61	21
50x50x10mm	FD5010-88	22
50x50x15mm	FD5015-61	23
60x60x10mm	FD6010-61	24
60x60x20mm	FD6020-61	25
60x60x25mm	FD6025-61A	26
60x60x25mm	FD6025-87	27
60x60x25mm	FD6025-88	28
60x60x38mm	FD6038-87H	29
70x70x10mm	FD7010-71	30
80x80x15mm	FD8015-61	31
80x80x20mm	FD8020-64	32
80x80x25mm	FD8025-61	33
80x80x25mm	FD8025-87	34
80x80x38mm	FD8038-63	35
80x80x38mm	FD8038-87A	36
80x80x38mm	FD8038-88H	37
92x92x25mm	FD9225-61	38
92x92x38mm	FD9238-87	39
120x120x25mm	FD1225-61	40
120x120x25mm	FD1225-75	41
120x120x32mm	FD1232-61	42
120x120x38mm	FD1238-62	43
120x120x38mm	FD1238-63	44
120x120x38mm	FD1238-87C	45
120x120x38mm	FD1238-88	46
140x140x25mm	FD1425-88	47
172x150x51mm	FD1751-52	48
172x150x51mm	FD1751-61	49
Ø172x51mm	FD1751-65	50
172x151x55mm	FD1755-61	51
Ø280x80mm	FD2880-57	52

DC BLOWERS

53x50x10mm	FBD5010-61	53
51x51x15mm	FBD5015-61	54
51x51x25mm	FBD5025-61	55
57x57x12mm	FBD5712-75	56
75x77x30mm	FBD7530-61	57
93x93x30mm	FBD9330-61	58
97x94x33mm	FBD9733-61	59
120x120x32mm	FBD1232-88A	60
121x121x37mm	FBD1237-51	61
180x171x81mm	FBD1881-61	62

DC Cross Flow Fan

60 Series	FCD60XXX-87	63
-----------	-------------	----

AC FANS

80x80x25mm	FA8025-51	64
80x80x25mm	FA8025-96	65
80x80x38mm	FA8038-51	66
80x80x38mm	FA8038-96	67
92x92x25mm	FA9225-51	68
92x92x25mm	FA9225-61	69
92x92x25mm	FA9225-96	70
92x92x38mm	FA9238-51	71
92x92x38mm	FA9238-96	72
110x110x25mm	FA1125-96	73
120x120x25mm	FA1225-51	74
120x120x25mm	FA1225-61	75
120x120x25mm	FA1225-96	76
120x120x38mm	FA1238C-31	77
120x120x38mm	FA1238-51	78
120x120x38mm	FA1238-52	79
120x120x38mm	FA1238-61	80
120x120x38mm	FA1238-92	81
120x120x38mm	FA1238-96	82
120x120x38mm	FA1238-97	83
127x127x38mm	FA1238-53	84
160x160x62mm	FA1662C-51	85
160x160x62mm	FA1662C-52	86
170x150x38mm	FA1738C-31	87
172x150x38mm	FA1738C-51	88
172x151x38mm	FA1738C-55	89
172x150x38mm	FA1738-96	90
172x150x51mm	FA1751C-31	91
172x151x51mm	FA1751/1751C-52	92
175x151x51mm	FA1751C-55	93
Ø172x51mm	FA1751C-56	94
172x150x51mm	FA1751-61	95
172x150x51mm	FA1751-96	96
172x150x51mm	FA1751-97	97
172x150x55mm	FA1755C-31	98

TABLE OF CONTENTS

AC FANS

170x150x55mm	FA1755C-51	99
175x151x55mm	FA1755C-55	100
180x180x65mm	FA1865C-51	101
180x180x90mm	FA1890C-51	102
200x200x60mm	FA2060-96	103
Ø220x60mm	FA2260C-31	104
Ø220x60mm	FA2260-96	105
225x225x80mm	FA2280-55	106
Ø254x89mm	FA2589C-31	107
Ø254x89mm	FA2589C-51	108
Ø254x89mm	FA2589C-55	109
280x280x80mm	FA2880C-55	110

AC BLOWERS

125x126x40mm	FBA1231C-31	111
121x121x37mm	FBA1237-51	112
220x220x56mm	FBA2256C-51	113

EC FANS

80x80x38mm	FDA8038-61	114
120x120x38mm	FDA1238-61	115

ACCESSORIES

Wire Form Fan Guard	116~121
Plastic Fan Guard	122~123
Plastic Fan Filter	124~126
Aluminum Fan Filter	127~128
Fan Power Cord	129~131

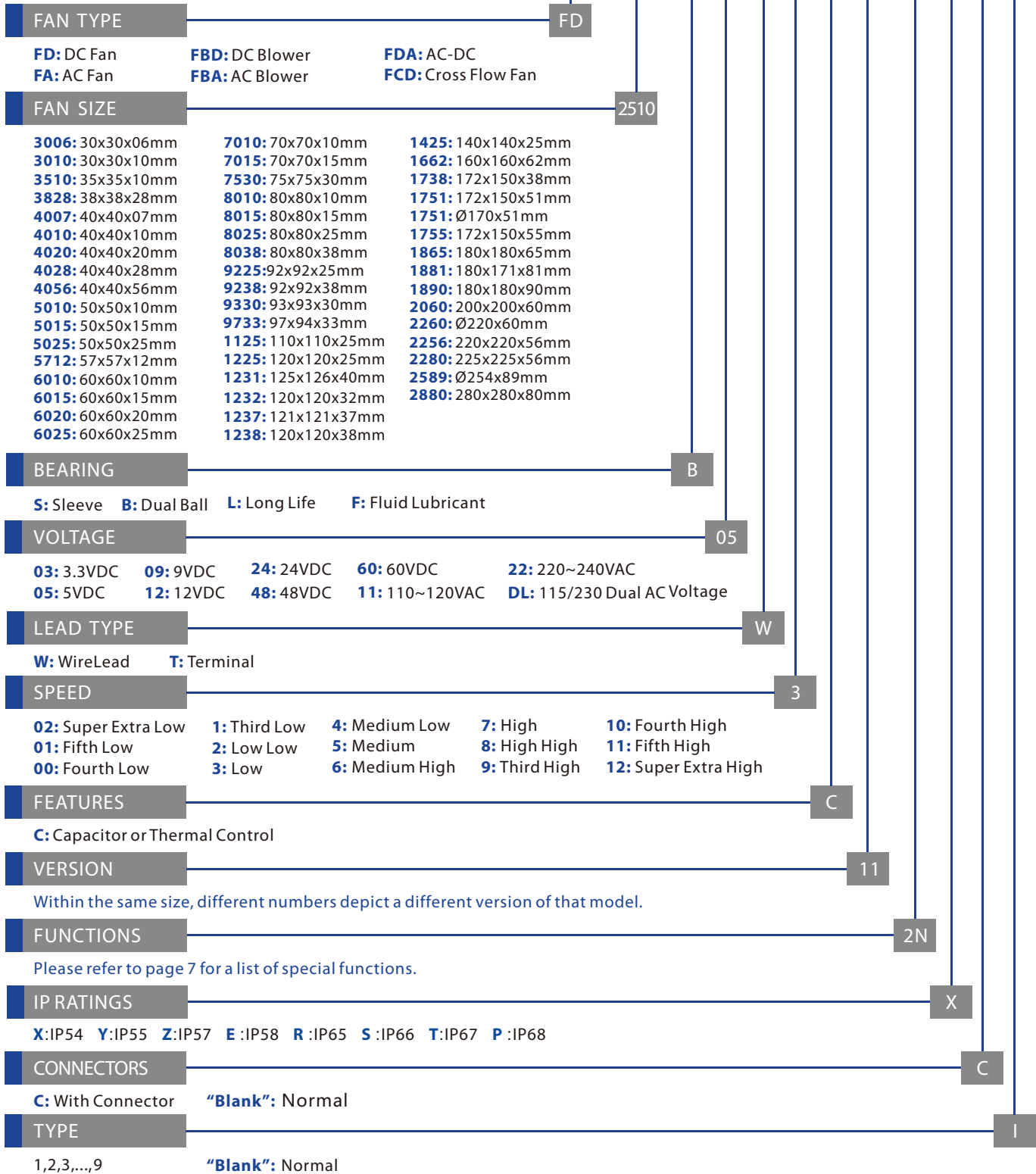
TECHNICAL PAPERS

Characteristics Measurement	132
How to Choose a Fan	133~134
How to Determine Fan Life	135~136
Units of Measure and Conversions	137

FAN PART NUMBER SYSTEM

FANS AND BLOWERS

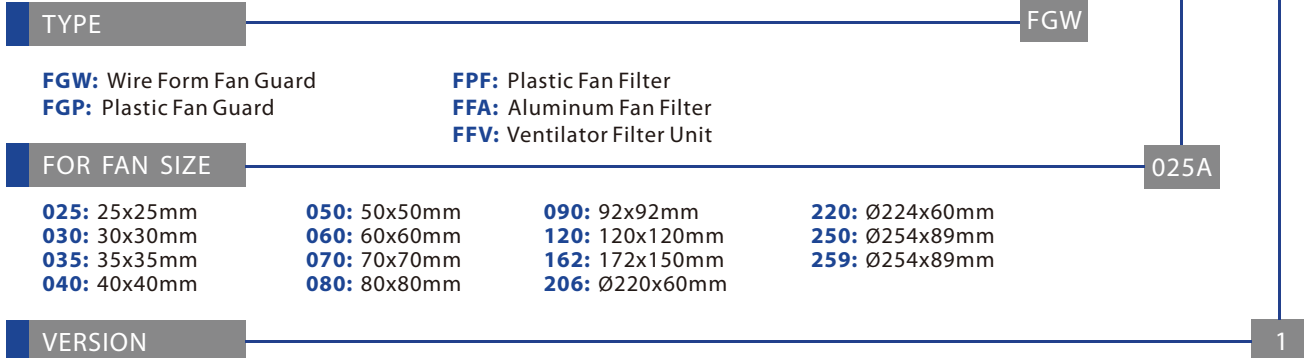
FD 2510 B 05 W 3 C-11-2N X C 1



ACCESSORY PART NUMBER SYSTEM

FAN GUARDS AND FILTERS

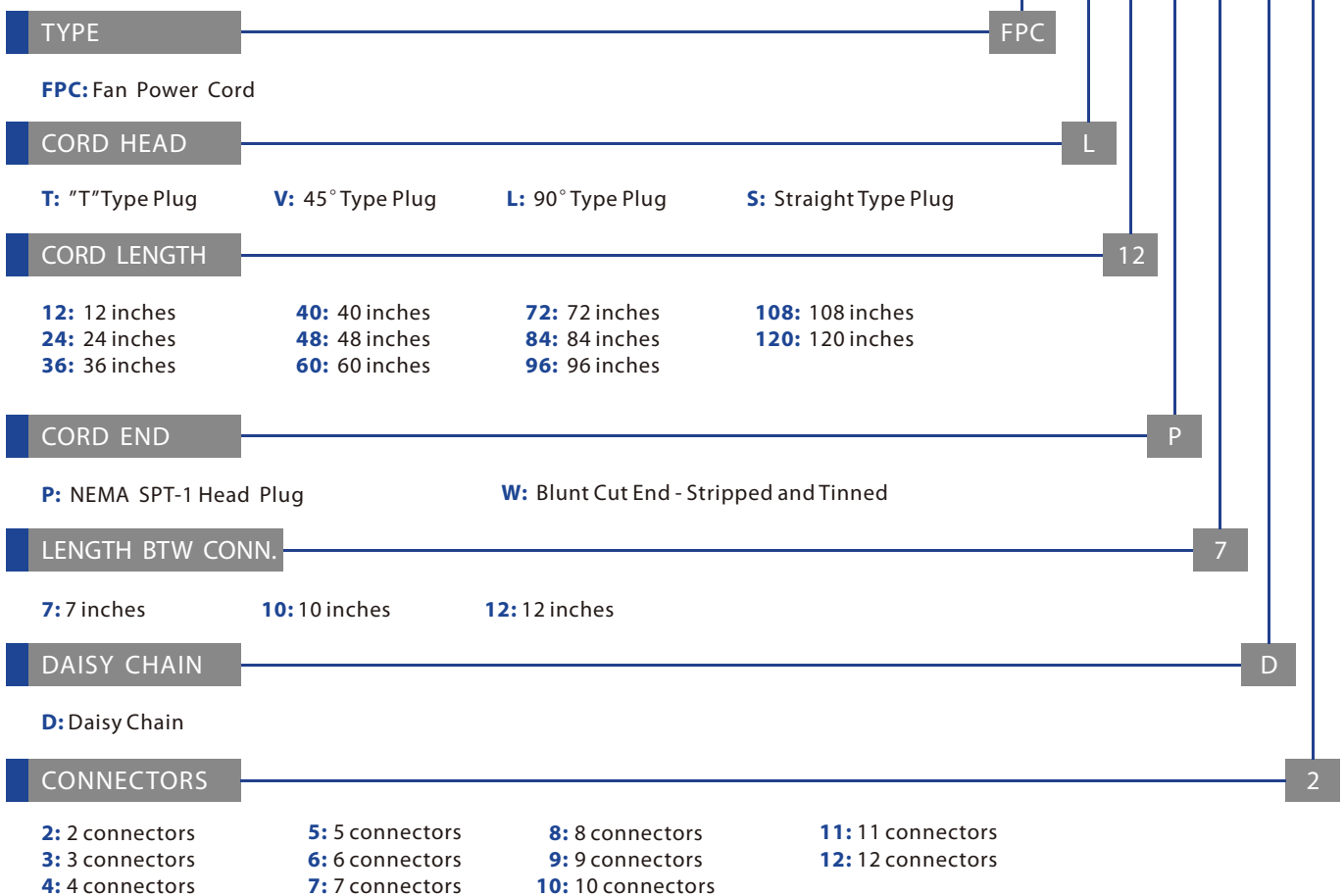
FGW - 025A - 1



Within the same size, different numbers depict a different version of that model.

FAN POWER CORDS

FPC-L 12 P-7 D 2

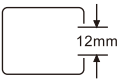
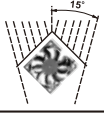
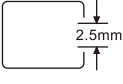

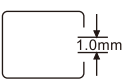
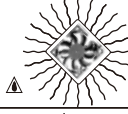
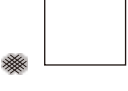





SPECIAL OPTIONS

IP

INGRESS PROTECTION RATING

IP (Ingress Protection) Ratings are developed by the European Committee for Electro Technical Standardization (CENELEC) to specify the environmental protection an enclosure provides.

First Digit	Protection From Solid Objects	Second Digit	Protection From Liquid
2	 Touching by finger or 12mm dia. objects	2	 Showering at 15° No harmful ingress
3	 Touching by tools or wire 2.5mm dia. or 2.5mm dia. objects	3	 Showering at 60° No harmful ingress
4	 Touching by tools or wire 1.0mm dia. or 1.0mm dia. objects	4	 Splashing from any directions No harmful ingress
5	 Total touch protection or no harmful ingress of dust	5	 Water jets from any directions No harmful ingress
6	 Total touch protection or no ingress of dust	6	 Large volumes of water No ingress

SF

SPECIAL FUNCTIONS (SUFFIX CODES)

2N: Standard Leads(2 wires)

2R: Auto Restart IC (2 wires)

2K: Thermistor + Auto Restart (2 wires)

3H: Alarm High + Auto Restart (3 wires)

3L: Alarm Low + Auto Restart (3 wires)

3C: Alarm High-Low + Auto Restart (3 wires)

3R: F/G + Auto Restart (3 wires)

3F: F/G (3 wires)

3J: Thermistor +Auto Restart (3 wires)

3K: Thermistor (3 wires)

3U: Thermistor + Alarm High + Auto Restart

3M: Thermistor + Alarm Low + Auto Restart

3P: Thermistor + Alarm High-Low + Auto Restart

3Q: Thermistor + F/G + Auto Restart

3S: PWM + Auto Restart

3T: PWM + Thermistor + Auto Restart

4T: Thermistor + F/G + Auto Restart

4M: Thermistor + Alarm High + Auto Restart

4P: Thermistor + Alarm Low + Auto Restart

4K: PWM + Alarm High + Auto Restart

4F: PWM + Alarm Low + Auto Restart

4G: PWM + Alarm High-Low+ Auto Restart

4J: PWM + F/G + Auto Restart

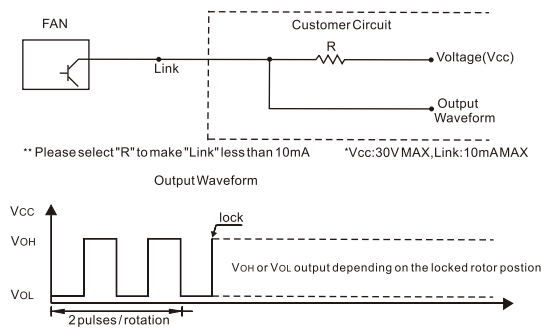
F/G = Frequency Generator, equivalent to Speed Sensor/Tachometer

IC Functional Waveform

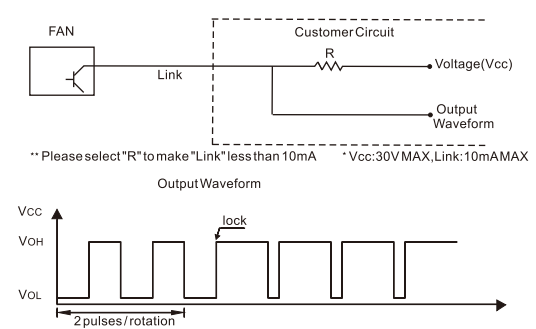
- a Speed Sensor: two pulses per revolution.
- b Speed Sensor with Auto Restart.
- c Alarm High: low for pass, high for fail.
- d Temperature Controlled Speed.
- e PWM(Pulse Width Modulation) Control Input.

Specifications are subject to change with customer design.

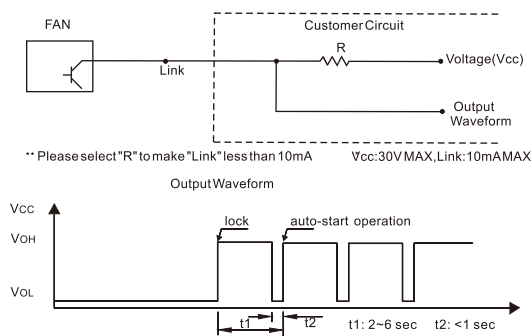
a Speed Sensor or Tachometer (F/G)



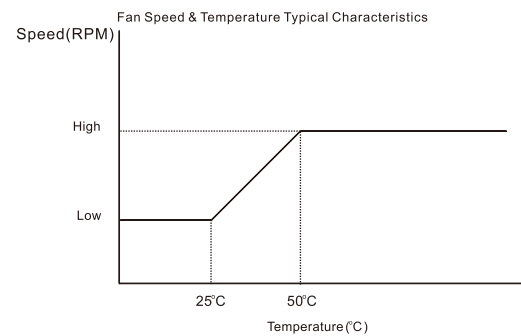
b Speed Sensor w/ Auto Restart



c Alarm High w/Auto Restart

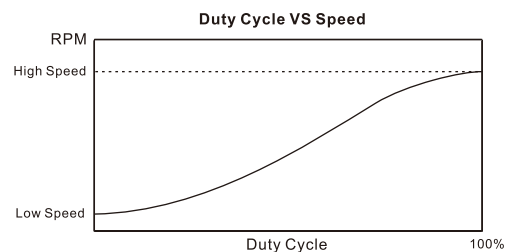
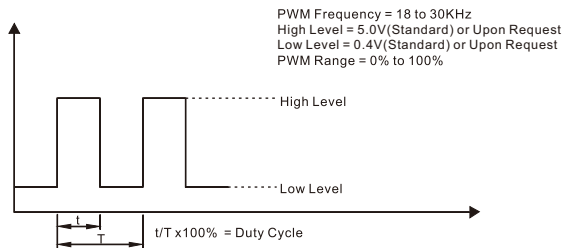


d Temperature Controlled Speed



e PWM(Pulse Width Modulation) Control Input

PWM Signal function design is decided by customer



DC AXIAL FAN 25x25x10mm



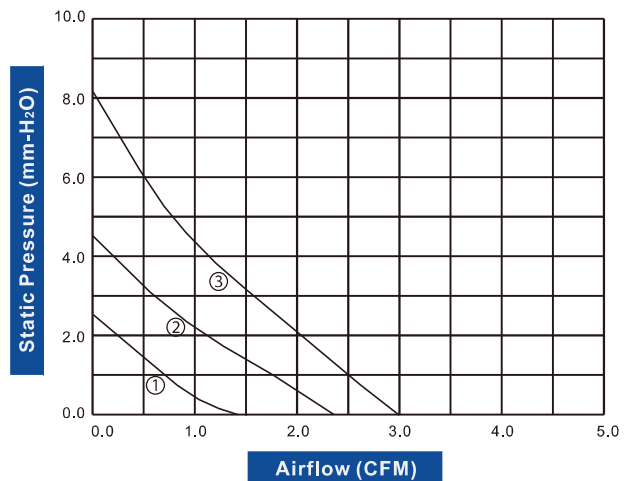
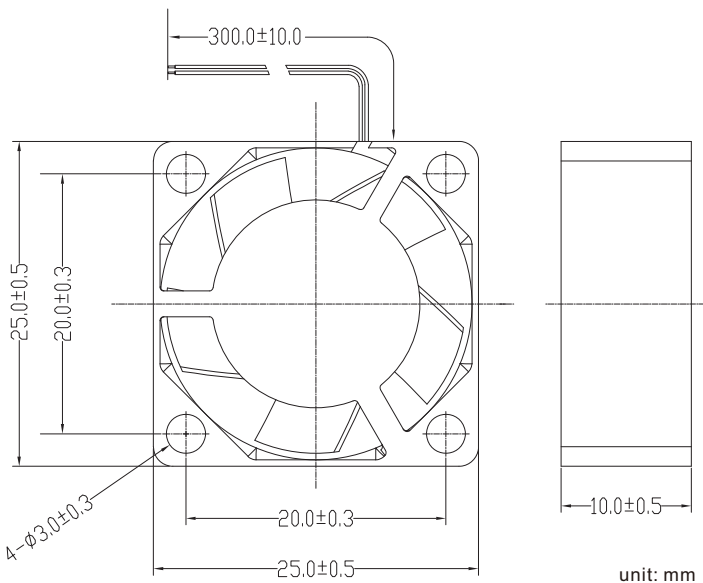
Housing/Blade: Thermoplastic PBT, UL 94V-0
Insulation Resistance: 10M Ω , 500VDC/min between bare wire and frame
Dielectric Strength: 5mA max. 500VAC/min between bare wire and frame
Operation Temperature: -10°C~70°C(Humidity 35%-85%RH)
Storage Temperature: -40°C~85°C(Humidity 35%-85%RH)
Lead Wire: UL Type #28 AWG
Weight: 7 g **Packing:** 400PCS/CTN



Model Number		Voltage (VDC)	Op.Voltage (VDC)	AirFlow (CFM)	StaticPres. (mm-H ₂ O)	Noise (dBA)	Speed (RPM)	Current (mA)	Power (W)	Available Bearing	Curves
FD2510B05W3-61	★▲	5	4.0~5.75	1.40	2.50	18.70	7,000	80	0.40	B,S	①
FD2510B05W5-61	★▲	5	4.0~5.75	2.30	4.70	22.70	10,000	120	0.60	B,S	②
FD2510B05W7-61	★▲	5	4.0~5.75	3.00	8.20	29.60	13,000	160	0.80	B,S	③
FD2510B12W3-61	★▲	12	6.0~13.8	1.40	2.50	18.70	7,000	60	0.72	B,S	①
FD2510B12W5-61	★▲	12	6.0~13.8	2.30	4.70	22.70	10,000	80	0.96	B,S	②
FD2510B12W7-61	★▲	12	6.0~13.8	3.00	8.20	29.60	13,000	100	1.20	B,S	③

- For "Sleeve" bearing version, change the "B" in the model number to "S" respectively.
- If model depicts "★", auto restart protection function built in.
- If model depicts "▲", polarity protection function built in.

Specifications are subject to change without notice



DC AXIAL FAN 30x30x06mm



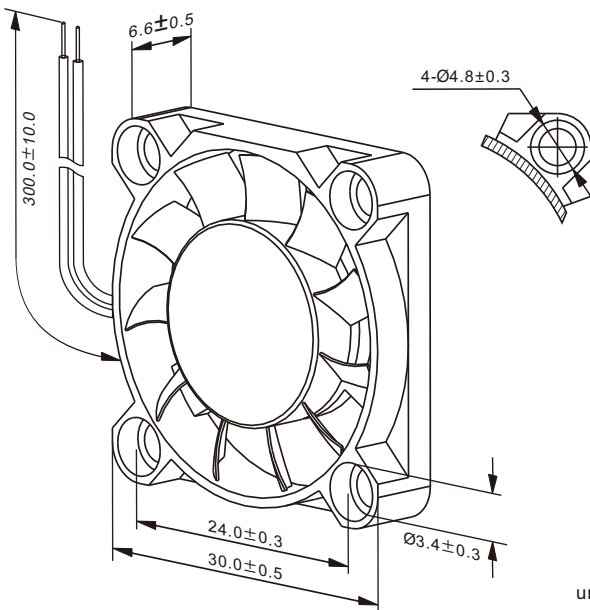
Housing/Blade: Thermoplastic PBT, UL 94V-0
 Insulation Resistance: 10M Ω , 500VDC/min between bare wire and frame
 Dielectric Strength: 5mA max. 500VAC/min between bare wire and frame
 Operation Temperature: -10°C~70°C(Humidity 35%-85%RH)
 Storage Temperature: -40°C~70°C(Humidity 35%-85%RH)
 Lead Wire: UL Type #28 AWG
 Weight: 5 g Packing: 1200PCS/CTN



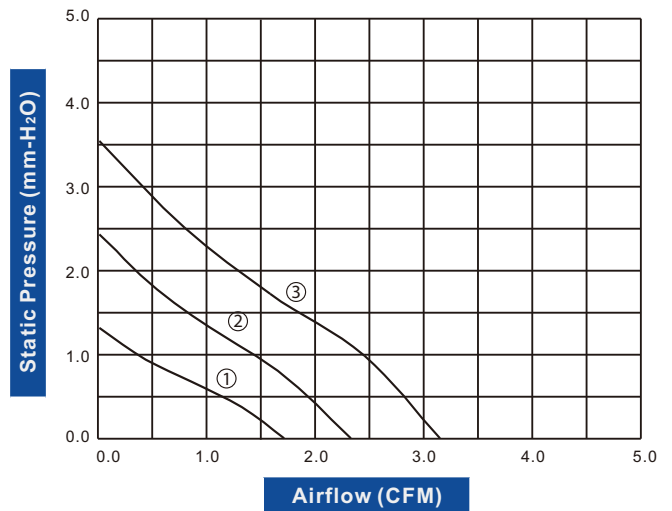
Model Number	Voltage (VDC)	Op.Voltage (VDC)	AirFlow (CFM)	StaticPres. (mm-H ₂ O)	Noise (dBA)	Speed (RPM)	Current (mA)	Power (W)	Available Bearing	Curves
FD3006B05W5-71	5	4.0~5.5	1.70	1.30	22.00	6,000	120	0.60	B,S	①
FD3006B05W7-71	5	4.0~5.5	2.40	2.30	27.80	8,000	200	1.00	B,S	②
FD3006B12W7-71	12	10.8~13.2	2.40	2.30	27.80	8,000	100	1.20	B,S	②
FD3006B12W9-71	12	10.8~13.2	3.10	3.50	31.50	10,000	120	1.44	B,S	③

• For "Sleeve" bearing version, change the "B" in the model number to "S".

Specifications are subject to change without notice



unit: mm



DC AXIAL FAN 30x30x06mm



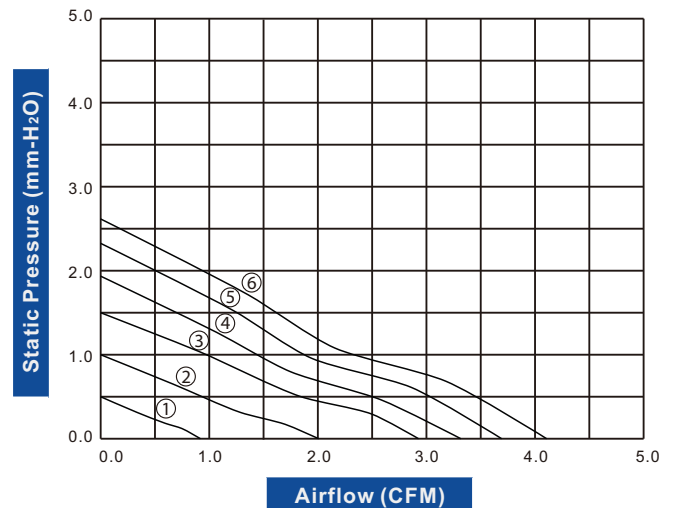
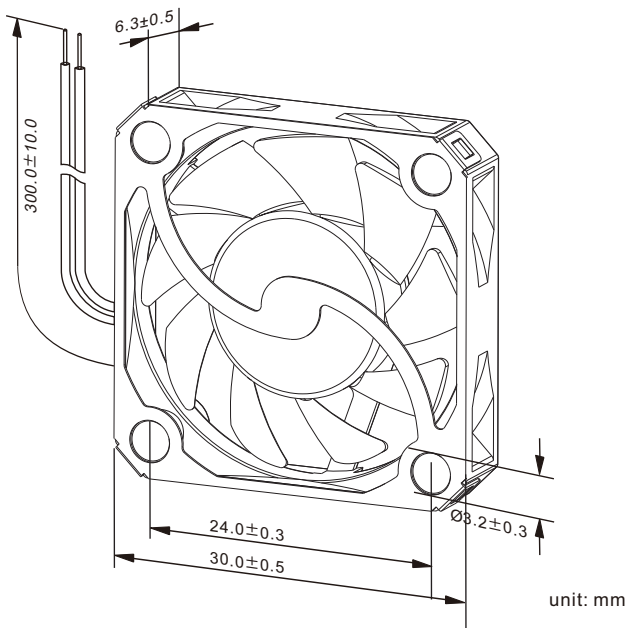
CE

Housing/Blade: Thermoplastic LCP, UL 94V-0
 Insulation Resistance: 10M Ω , 500VDC/min between bare wire and frame
 Dielectric Strength: 5mA max. 500VAC/min between bare wire and frame
 Operation Temperature: -10°C~70°C(Humidity 15%-65%RH)
 Storage Temperature: -20°C~85°C(Humidity 15%-65%RH)
 Lead Wire: UL Type #32 AWG
 Weight: 3.6 g Packing: 1200PCS/CTN

Model Number	Voltage (VDC)	Op.Voltage (VDC)	AirFlow (CFM)	StaticPres. (mm-H ₂ O)	Noise (dBA)	Speed (RPM)	Current (mA)	Power (W)	Available Bearing	Curves
FD3006S05W3-88	★▲ 5	4.0~5.5	0.90	0.50	17.90	4,000	150	0.75	S	①
FD3006S05W5-88	★▲ 5	3.0~5.5	2.00	1.00	19.80	6,000	200	1.00	S	②
FD3006S05W7-88	★▲ 5	2.5~5.5	2.90	1.50	24.20	8,000	300	1.50	S	③
FD3006S05W9-88	★▲ 5	2.3~5.5	3.70	2.30	28.60	10,000	400	2.00	S	⑤
FD3006S12W3-88	★▲ 12	6.0~13.8	2.90	1.50	24.20	8,000	120	1.44	S	③
FD3006S12W5-88	★▲ 12	5.0~13.8	3.30	1.90	26.40	9,000	160	1.92	S	④
FD3006S12W7-88	★▲ 12	4.0~13.8	3.70	2.30	28.60	10,000	200	2.40	S	⑤
FD3006S12W9-88	★▲ 12	4.0~13.8	4.10	2.60	35.30	12,000	240	2.88	S	⑥

- If model depicts "★", auto restart protection function built in.
- If model depicts "▲", polarity protection function built in.

Specifications are subject to change without notice



DC AXIAL FAN 30x30x10mm



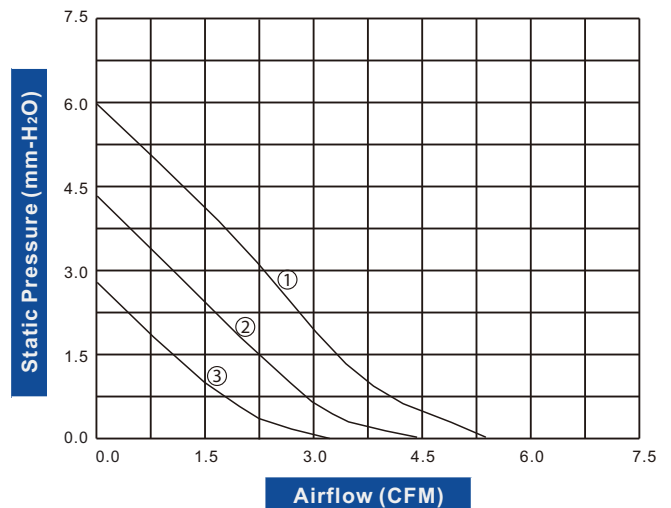
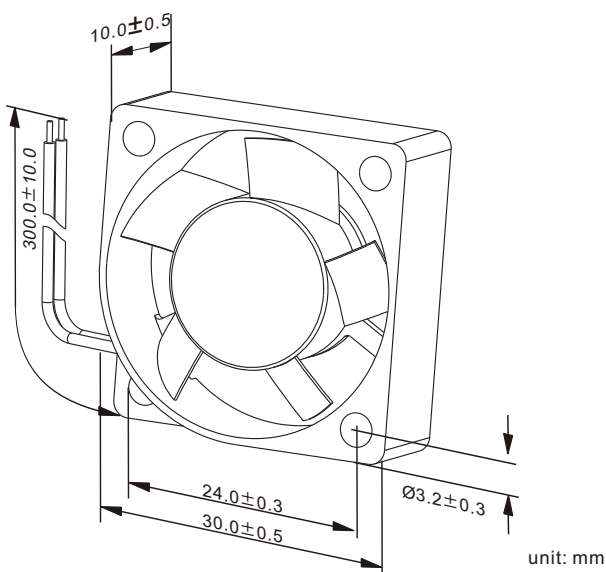
Housing/Blade: Thermoplastic PBT, UL 94V-0
 Insulation Resistance: 10M Ω , 500VDC/min between bare wire and frame
 Dielectric Strength: 5mA max. 500VAC/min between bare wire and frame
 Operation Temperature: -10°C~70°C(Humidity 35%-85%RH)
 Storage Temperature: -40°C~85°C(Humidity 35%-85%RH)
 Lead Wire: UL Type #28 AWG
 Weight: 8.5 g Packing: 1200PCS/CTN



Model Number	Voltage (VDC)	Op.Voltage (VDC)	AirFlow (CFM)	StaticPres. (mm-H ₂ O)	Noise (dBA)	Speed (RPM)	Current (mA)	Power (W)	Available Bearing	Curves
FD3010B05W3-61	★▲ 5	4.0~5.75	3.20	2.80	22.70	7,000	120	0.60	B,S	①
FD3010B05W5-61	★▲ 5	4.0~5.75	4.40	4.40	26.60	9,000	140	0.70	B,S	②
FD3010B05W7-61	★▲ 5	4.0~5.75	5.30	6.00	31.50	11,000	200	1.00	B,S	③
FD3010B12W3-61	★▲ 12	6.0~13.8	3.20	2.80	22.70	7,000	60	0.72	B,S	①
FD3010B12W5-61	★▲ 12	6.0~13.8	4.40	4.40	26.60	9,000	90	1.08	B,S	②
FD3010B12W7-61	★▲ 12	6.0~13.8	5.30	6.00	31.50	11,000	100	1.20	B,S	③

- For "Sleeve" bearing version, change the "B" in the model number to "S" respectively.
- If model depicts "★", auto restart protection function built in.
- If model depicts "▲", polarity protection function built in.

Specifications are subject to change without notice



DC AXIAL FAN 35x35x10mm



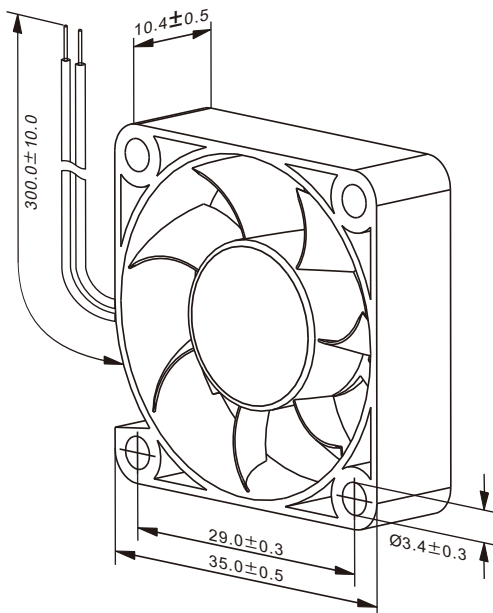
Housing/Blade: Thermoplastic PBT, UL 94V-0
 Insulation Resistance: 10M Ω , 500VDC/min between bare wire and frame
 Dielectric Strength: 5mA max. 500VAC/min between bare wire and frame
 Operation Temperature: -10°C~70°C(Humidity 35%-85%RH)
 Storage Temperature: -40°C~70°C(Humidity 35%-85%RH)
 Lead Wire: UL Type #28 AWG
 Weight: 9 g Packing: 400PCS/CTN



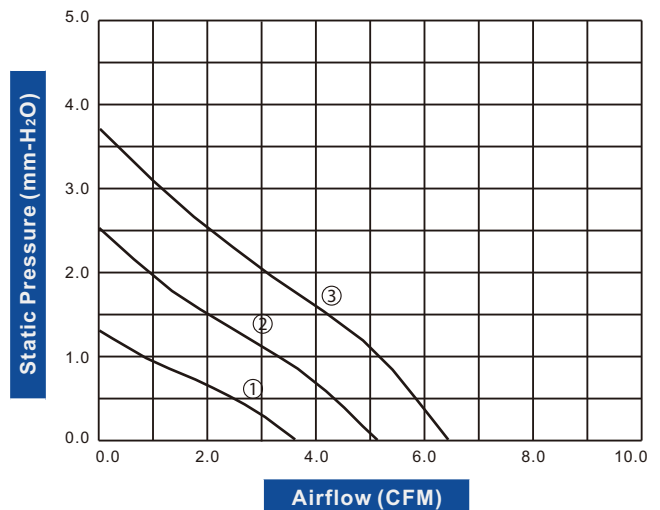
Model Number	Voltage (VDC)	Op.Voltage (VDC)	AirFlow (CFM)	StaticPres. (mm-H ₂ O)	Noise (dBA)	Speed (RPM)	Current (mA)	Power (W)	Available Bearing	Curves
FD3510B05W3-71	5	4.0~5.5	3.60	1.30	20.00	5,000	130	0.65	B,L,S	①
FD3510B05W5-71	5	4.0~5.5	5.10	2.50	25.50	7,000	220	1.10	B,L,S	②
FD3510B05W7-71	5	4.0~5.5	6.40	3.70	31.90	9,000	230	1.15	B,L,S	③
FD3510B12W3-71	12	10.8-13.2	3.60	1.30	20.00	5,000	80	0.96	B,L,S	①
FD3510B12W5-71	12	10.8-13.2	5.10	2.50	25.50	7,000	110	1.32	B,L,S	②
FD3510B12W7-71	12	10.8-13.2	6.40	3.70	31.90	9,000	140	1.68	B,L,S	③

• For "Long Life", or "Sleeve" bearing versions, change the "B" in the model number to "L", or "S" respectively.

Specifications are subject to change without notice



unit: mm



DC AXIAL FAN 38x38x28mm

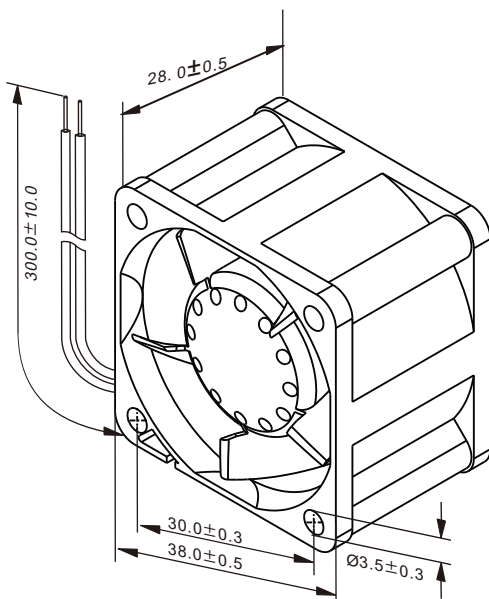


Housing/Blade: Thermoplastic PBT, UL 94V-0
 Insulation Resistance: 10M Ω , 500VDC/min between bare wire and frame
 Dielectric Strength: 5mA max. 500VAC/min between bare wire and frame
 Operation Temperature: -10°C~70°C(Humidity 5%~90%RH)
 Storage Temperature: -40°C~75°C(Humidity 5%~95%RH)
 Lead Wire: UL Type #26 AWG
 Weight: 40 g Packing: 400PCS/CTN

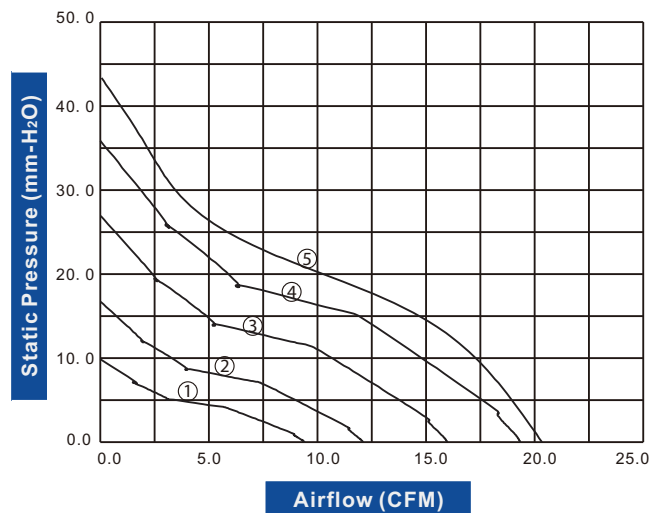
Model Number	Voltage (VDC)	Op.Voltage (VDC)	AirFlow (CFM)	StaticPres. (mm-H ₂ O)	Noise (dBA)	Speed (RPM)	Current (mA)	Power (W)	Available Bearing	Curves
FD3828B12W3-87	★▲ 12	7.0~13.2	9.50	10.0	37.40	8,000	150	1.80	B	①
FD3828B12W5-87	★▲ 12	7.0~13.2	12.70	16.2	43.30	10,000	220	2.64	B	②
FD3828B12W7-87	★▲ 12	7.0~13.2	16.50	26.3	50.20	13,000	380	4.56	B	③
FD3828B12W9-87	★▲ 12	7.0~13.2	19.50	35.3	54.20	15,000	650	7.80	B	④
FD3828B12W11-87	★▲ 12	7.0~13.2	21.1	43.0	58.10	17,000	850	10.20	B	⑤

- If model depicts "★", auto restart protection function built in.
- If model depicts "▲", polarity protection function built in.

Specifications are subject to change without notice



unit: mm



DC AXIAL FAN 40x40x07mm



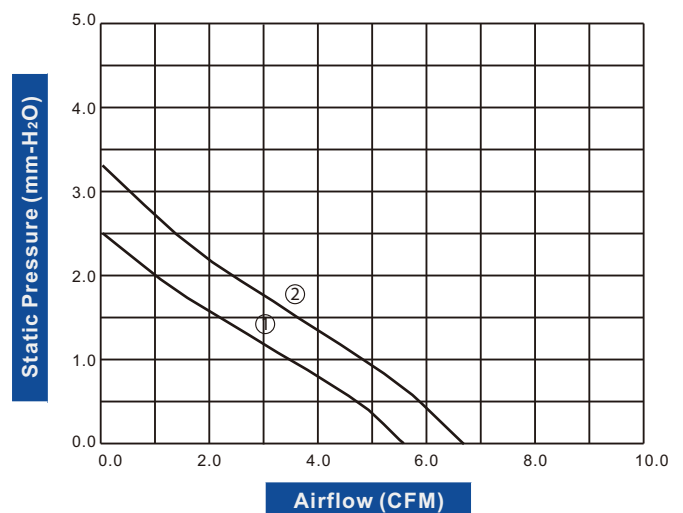
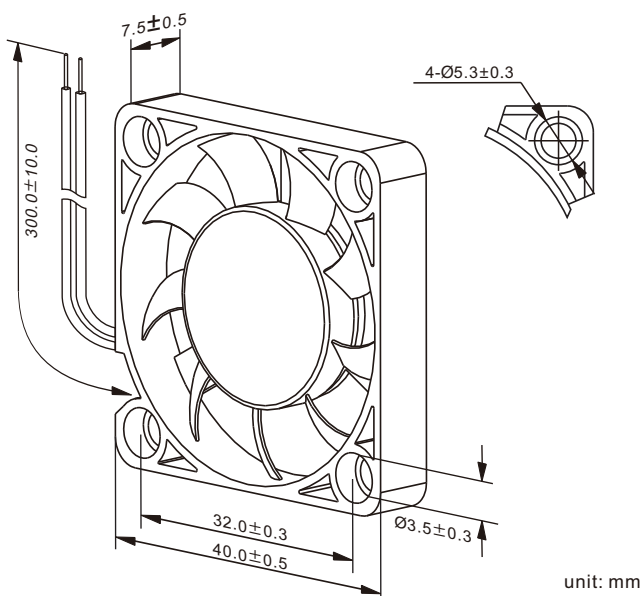
Housing/Blade: Thermoplastic PBT, UL 94V-0
Insulation Resistance: 10M Ω , 500VDC/min between bare wire and frame
Dielectric Strength: 5mA max. 500VAC/min between bare wire and frame
Operation Temperature: -10°C~70°C(Humidity 35%-85%RH)
Storage Temperature: -40°C~70°C(Humidity 35%-85%RH)
Lead Wire: UL Type #28 AWG
Weight: 11 g **Packing:** 400PCS/CTN



Model Number	Voltage (VDC)	Op.Voltage (VDC)	AirFlow (CFM)	StaticPres. (mm-H ₂ O)	Noise (dBA)	Speed (RPM)	Current (mA)	Power (W)	Available Bearing	Curves
FD4007B05W5-71	5	4.0~5.5	5.50	2.50	29.50	6,500	230	1.15	B,S	①
FD4007B05W7-71	5	4.0~5.5	6.60	3.30	33.30	7,500	250	1.25	B,S	②
FD4007B12W5-71	12	10.8-13.2	5.50	2.50	29.50	6,500	110	1.32	B,S	①
FD4007B12W7-71	12	10.8-13.2	6.60	3.30	33.30	7,500	130	1.56	B,S	②

• For "Sleeve" bearing version, change the "B" in the model number to "S".

Specifications are subject to change without notice



DC AXIAL FAN 40x40x10mm



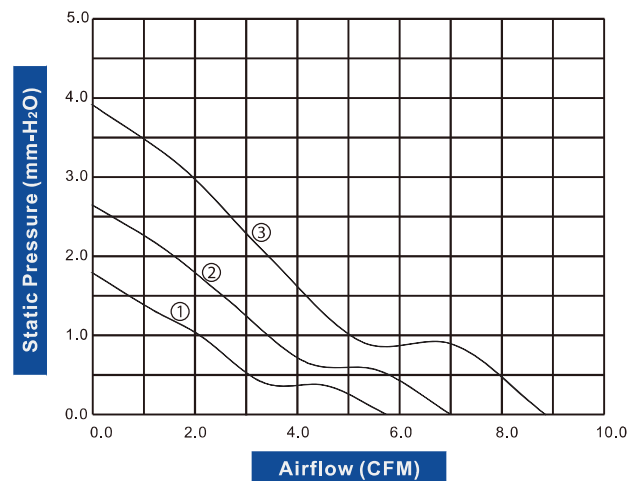
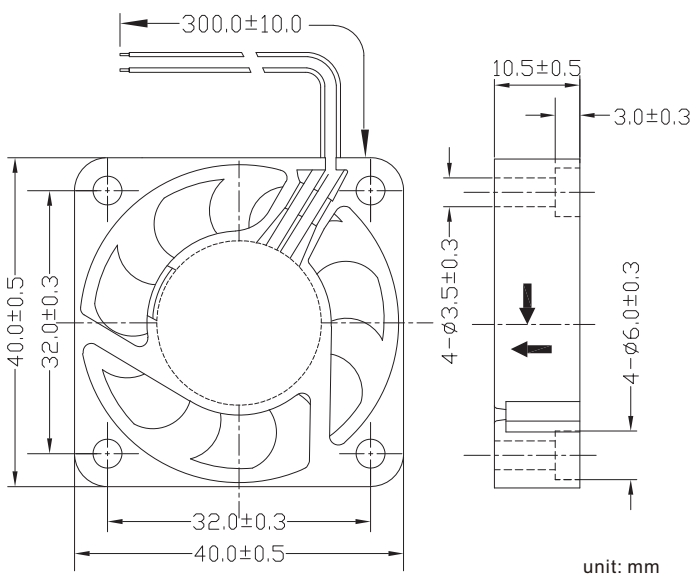
Housing/Blade: Thermalplastic PBT, UL 94V-0
Insulation Resistance: 10MΩ, 500VDC/min between bare wire and frame
Dielectric Strength: 5mA max. 500VAC/min between bare wire and frame
Operation Temperature: -10°C~70°C(Humidity 35%-85%RH)
Storage Temperature: -40°C~80°C(Humidity 35%-85%RH)
Lead Wire: UL Type #26 AWG
Weight: 16 g **Packing:** 400PCS/CTN



Model Number	Voltage (VDC)	Op.Voltage (VDC)	AirFlow (CFM)	StaticPres. (mm-H ₂ O)	Noise (dBA)	Speed (RPM)	Current (mA)	Power (W)	Available Bearing	Curves
FD4010B05W3-61B ★▲	5	3.5~5.75	5.70	1.70	24.60	4,500	130	0.65	B,S	①
FD4010B05W5-61B ★▲	5	3.5~5.75	7.00	2.60	27.60	5,500	160	0.80	B,S	②
FD4010B05W7-61B ★▲	5	3.5~5.75	8.70	3.90	31.50	6,500	200	1.00	B,S	③
FD4010B12W3-61B ★▲	12	7.0~13.8	5.70	1.70	24.60	4,500	60	0.72	B,S	①
FD4010B12W5-61B ★▲	12	6.0~13.8	7.00	2.60	27.60	5,500	70	0.84	B,S	②
FD4010B12W7-61B ★▲	12	6.0~13.8	8.70	3.90	31.50	6,500	90	1.08	B,S	③
FD4010B24W3-61B ★▲	24	16.0~27.6	5.70	1.70	24.60	4,500	50	1.20	B,S	①
FD4010B24W5-61B ★▲	24	12.0~27.6	7.00	2.60	27.60	5,500	60	1.44	B,S	②
FD4010B24W7-61B ★▲	24	12.0~27.6	8.70	3.90	31.50	6,500	90	2.16	B,S	③

- For "Sleeve" bearing version, change the "B" in the model number to "S" respectively.
- If model depicts "★", auto restart protection function built in.
- If model depicts "▲", polarity protection function built in.

Specifications are subject to change without notice



DC AXIAL FAN 40x40x10mm

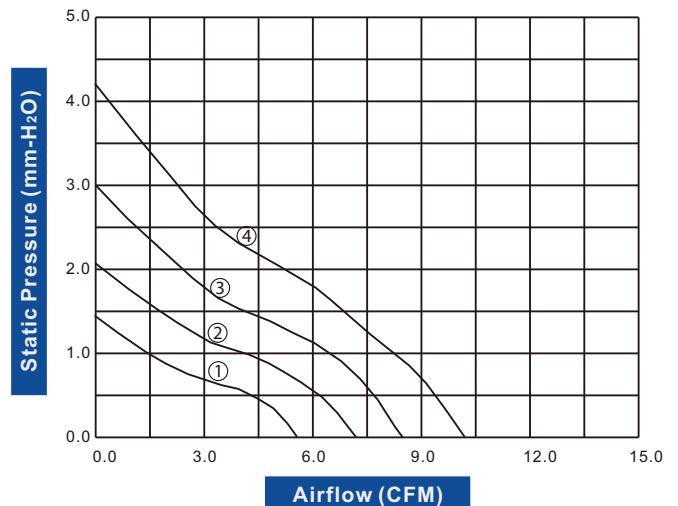
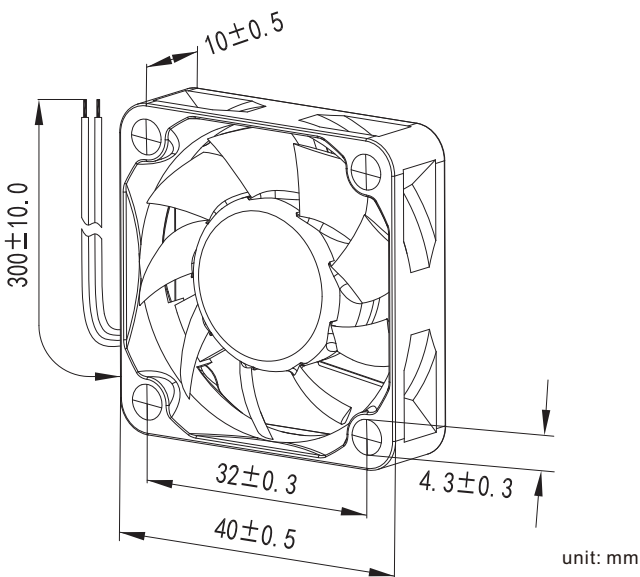


Housing/Blade: Thermoplastic PBT, UL 94V-0
Insulation Resistance: 10MΩ, 500VDC/min between bare wire and frame
Dielectric Strength: 5mA max. 500VAC/min between bare wire and frame
Operation Temperature: -10°C~70°C(Humidity 15%-65%RH)
Storage Temperature: -20°C~85°C(Humidity 15%-65%RH)
Lead Wire: UL Type #28 AWG
Weight: 14.7 g **Packing:** 400PCS/CTN

Model Number	Voltage (VDC)	Op.Voltage (VDC)	AirFlow (CFM)	StaticPres. (mm-H ₂ O)	Noise (dBA)	Speed (RPM)	Current (mA)	Power (W)	Available Bearing	Curves
FD4010B05W3-88A ※	5	3.5~5.5	5.40	1.40	21.40	4,000	150	0.75	B,S	①
FD4010B05W5-88A ※	5	3.5~5.5	6.90	2.10	24.70	5,000	200	1.00	B,S	②
FD4010B05W7-88A ※	5	3.5~5.5	8.40	3.00	29.50	6,000	250	1.25	B,S	③
FD4010B05W9-88A ※	5	3.5~5.5	10.10	4.20	34.20	7,700	400	2.00	B,S	④
FD4010B12W3-88A	12	6.0~13.8	5.40	1.40	21.40	4,000	100	1.20	B,S	①
FD4010B12W5-88A	12	6.0~13.8	6.90	2.10	24.70	5,000	150	1.80	B,S	②
FD4010B12W7-88C	12	6.0~13.8	8.40	3.00	29.50	6,000	200	2.40	B,S	③
FD4010B12W7-88A	12	6.0~13.8	10.10	4.20	34.20	7,700	200	2.40	B,S	④

- For "Sleeve" bearing versions, change the "B" in the model number to "S" respectively.
- If model depicts "※", UL approvals can be implemented upon request.

Specifications are subject to change without notice



DC AXIAL FAN 40x40x20mm

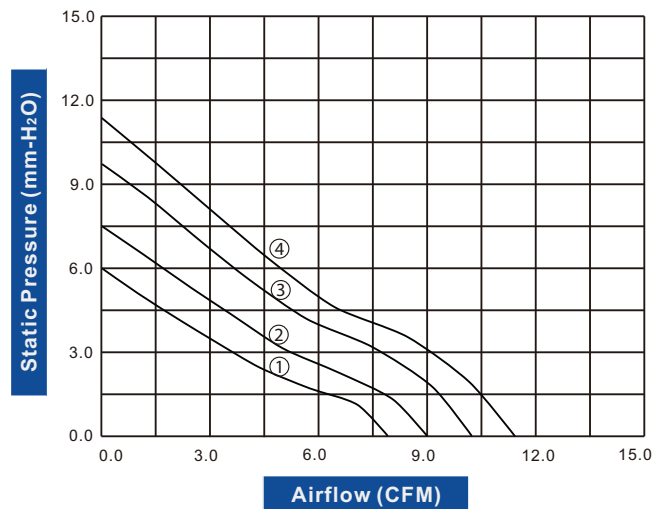
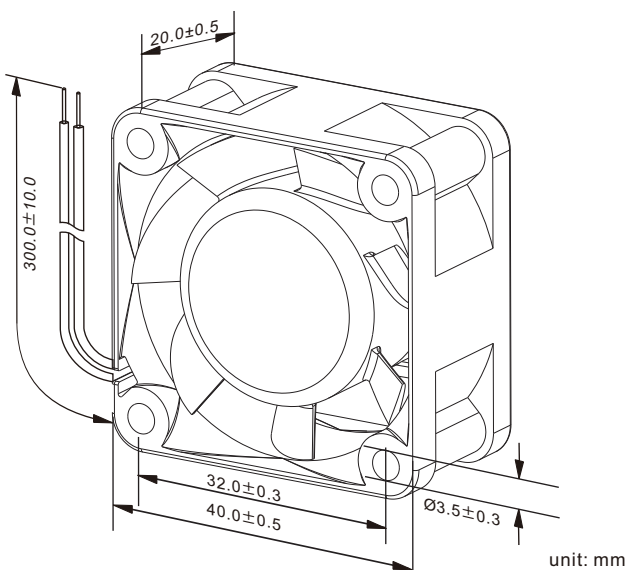


Housing/Blade: Thermoplastic PBT, UL 94V-0
 Insulation Resistance: 10MΩ, 500VDC/min between bare wire and frame
 Dielectric Strength: 5mA max. 500VAC/min between bare wire and frame
 Operation Temperature: -10°C~70°C(Humidity 15%-65%RH)
 Storage Temperature: -20°C~85°C(Humidity 15%-65%RH)
 Lead Wire: UL Type #26 AWG
 Weight: 31.8 g Packing: 200PCS/CTN

Model Number	Voltage (VDC)	Op.Voltage (VDC)	AirFlow (CFM)	StaticPres. (mm-H ₂ O)	Noise (dBA)	Speed (RPM)	Current (mA)	Power (W)	Available Bearing	Curves
FD4020B12W3-88	★▲ 12	3.0~13.8	7.90	6.00	33.40	7,000	300	3.60	B,L,S	①
FD4020B12W5-88	★▲ 12	3.0~13.8	9.00	7.50	36.90	8,000	400	4.80	B,L,S	②
FD4020B12W7-88	★▲ 12	3.0~13.8	10.10	9.70	40.40	9,000	400	4.80	B,L,S	③
FD4020B12W11-88	★▲ 12	3.0~13.8	11.40	11.40	45.40	10,000	450	5.40	B,L,S	④

- For "Long Life" or "Sleeve" bearing versions, change the "B" in the model number to "L" or "S" respectively.
- If model depicts "★", auto restart protection function built in.
- If model depicts "▲", polarity protection function built in.

Specifications are subject to change without notice



DC AXIAL FAN 40x40x28mm



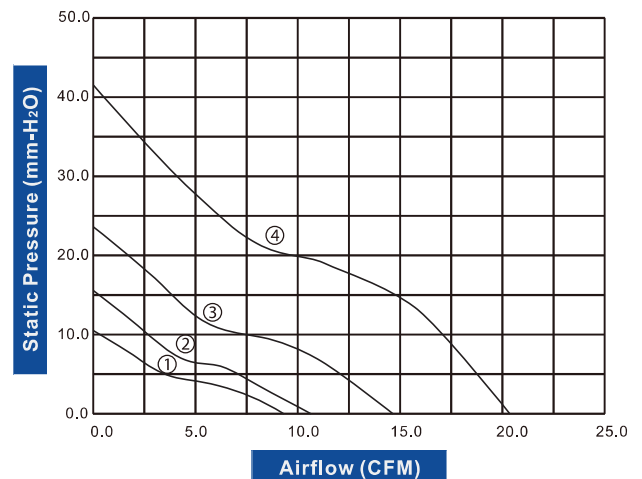
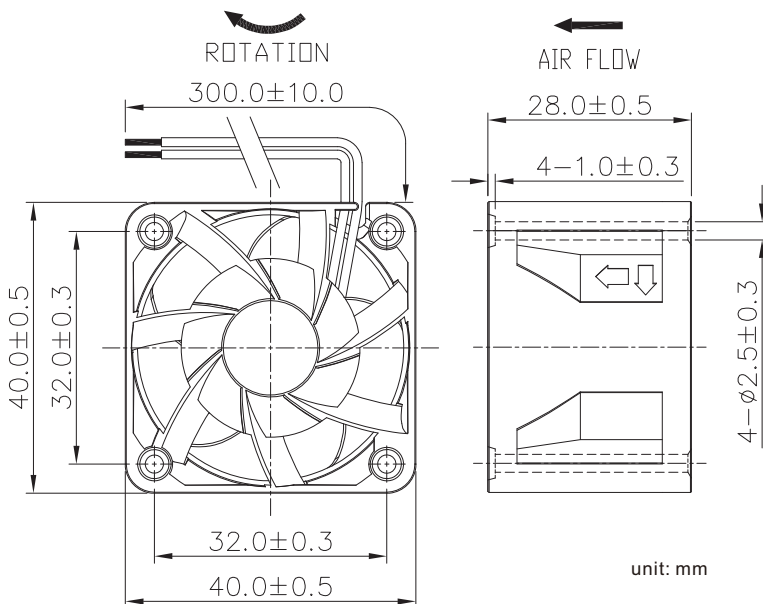
Housing/Blade: Thermalplastic PBT, UL 94V-0
 Insulation Resistance: 10MΩ, 500VDC/min between bare wire and frame
 Dielectric Strength: 5mA max. 500VAC/min between bare wire and frame
 Operation Temperature: -10°C~70°C(Humidity 35%-85%RH)
 Storage Temperature: -40°C~80°C(Humidity 35%-85%RH)
 Lead Wire: UL Type #26 AWG
 Weight: 53 g Packing: 400PCS/CTN



Model Number		Voltage (VDC)	Op.Voltage (VDC)	AirFlow (CFM)	Static Pres. (mm-H ₂ O)	Noise (dBA)	Speed (RPM)	Current (mA)	Power (W)	Available Bearing	Curves
FD4028B12W3-63	★▲	12	6.0~13.8	9.20	10.40	36.40	8,000	150	1.80	B	①
FD4028B12W5-63	★▲	12	6.0~13.8	11.60	15.40	40.40	10,000	250	3.00	B	②
FD4028B12W7-63	★▲	12	6.0~13.8	14.90	24.40	45.30	13,000	380	4.56	B	③
FD4028B12W9-63	★▲	12	6.0~13.8	20.40	42.80	53.20	17,500	650	7.80	B	④
FD4028B24W3-63	★▲	24	12.0~27.6	9.20	10.40	36.40	8,000	100	2.40	B	①
FD4028B24W5-63	★▲	24	12.0~27.6	11.60	15.40	40.40	10,000	150	3.60	B	②
FD4028B24W7-63	★▲	24	12.0~27.6	14.90	24.40	45.30	13,000	300	7.20	B	③

- If model depicts "★", auto restart protection function built in.
- If model depicts "▲", polarity protection function built in.

Specifications are subject to change without notice



DC AXIAL FAN 40x40x28mm

(High Performance Fan Series)



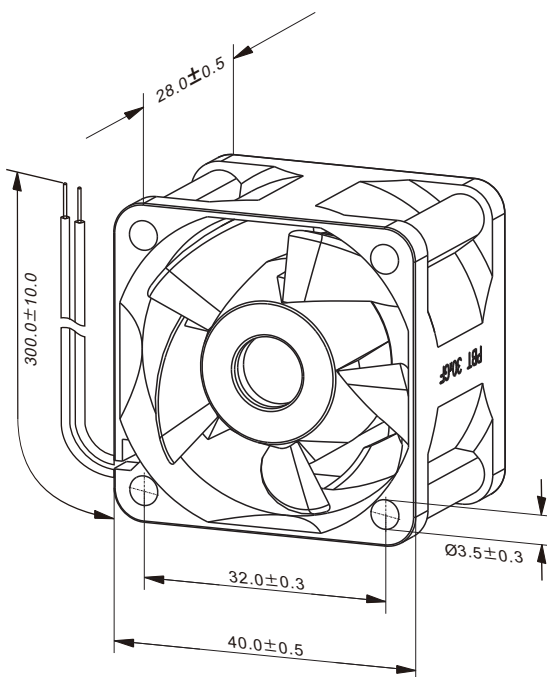
Housing/Blade: Thermoplastic PBT, UL 94V-0
 Insulation Resistance: 10M Ω , 500VDC/min between bare wire and frame
 Dielectric Strength: 5mA max. 500VAC/min between bare wire and frame
 Operation Temperature: -10°C~70°C(Humidity 15%-65%RH)
 Storage Temperature: -20°C~85°C(Humidity 15%-65%RH)
 Lead Wire: UL Type #26 AWG
 Weight: 43 g Packing: 400PCS/CTN

- High Airflow
- Extremely High Static Pressure

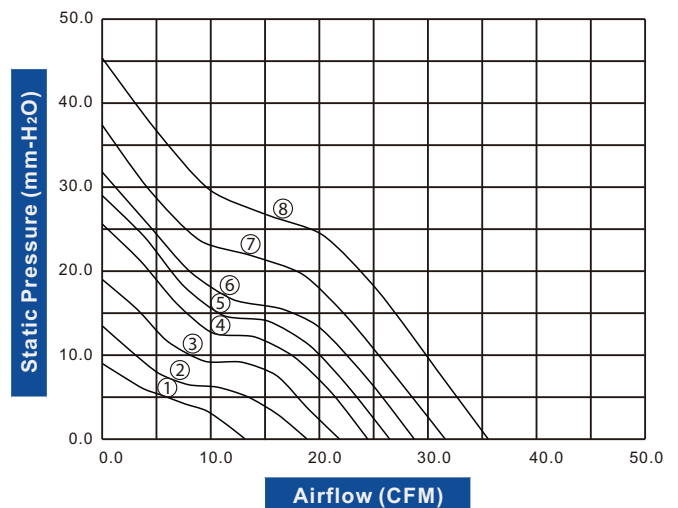
Model Number	Voltage (VDC)	Op.Voltage (VDC)	AirFlow (CFM)	StaticPres. (mm-H ₂ O)	Noise (dBA)	Speed (RPM)	Current (mA)	Power (W)	Available Bearing	Curves	
FD4028B12W1-88	★▲	12	4.0~13.8	13.00	8.5	44.30	8,000	3.20	3.84	B	①
FD4028B12W3-88	★▲	12	4.0~13.8	18.60	13.2	46.20	10,000	3.50	4.20	B	②
FD4028B12W5-88	★▲	12	4.0~13.8	21.40	18.3	49.70	12,000	5.50	6.60	B	③
FD4028B12W9-88	★▲	12	6.0~13.8	24.40	25.3	53.00	14,000	6.30	7.56	B	④
FD4028B12W10-88	★▲	12	6.0~13.8	26.10	28.8	54.60	15,000	6.50	7.80	B	⑤
FD4028B12W11-88	★▲	12	6.0~13.8	28.00	32.7	56.80	16,000	8.50	10.20	B	⑥
FD4028B12W13-88	★▲	12	6.0~12.8	31.90	37.2	58.30	18,000	22.00	26.40	B	⑦
FD4028B12W14-88	★▲	12	6.0~12.8	35.30	45.1	60.40	20,000	24.00	28.80	B	⑧

- If model depicts "★", auto restart protection function built in.
- If model depicts "▲", polarity protection function built in.

Specifications are subject to change without notice



unit: mm



DC AXIAL FAN 40x40x56mm

(High Performance Fan Series)

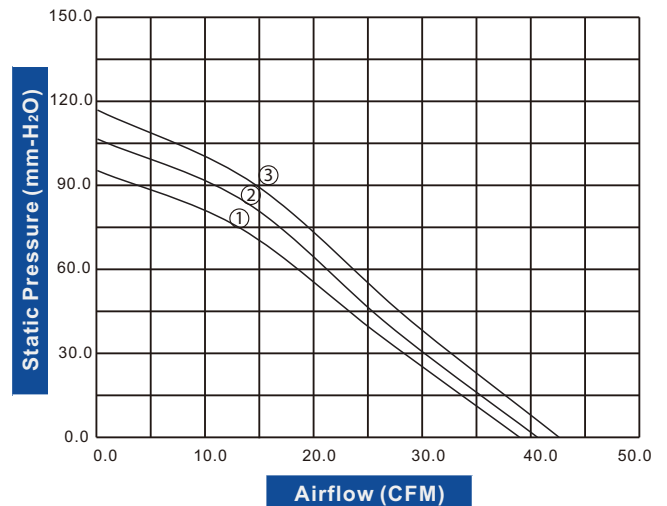
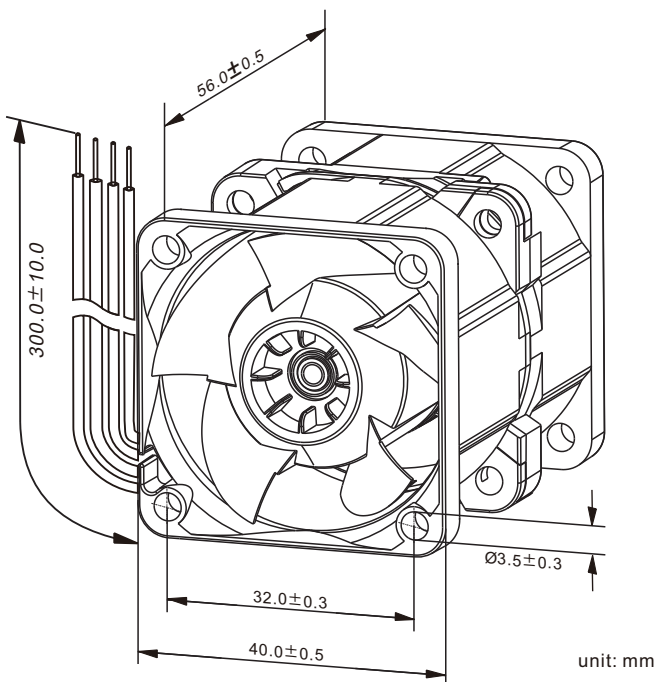


Housing/Blade: Thermoplastic PBT, UL 94V-0
 Insulation Resistance: 10MΩ, 500VDC/min between bare wire and frame
 Dielectric Strength: 5mA max. 500VAC/min between bare wire and frame
 Operation Temperature: -10°C~70°C(Humidity 15%-65%RH)
 Storage Temperature: -20°C~85°C(Humidity 15%-65%RH)
 Lead Wire: UL Type #26 AWG
 Weight: 88.5g Packing: 200PCS/CTN

Model Number	Voltage (VDC)	Op.Voltage (VDC)	AirFlow (CFM)	StaticPres. (mm-H ₂ O)	Noise (dBA)	Speed (RPM)	Current (mA)	Power (W)	Available Bearing	Curves
FD4056B12W3-88H ★▲	12	6.0~13.8	38.70	94.70	73.50	18,000/17,000	2600	31.20	B	①
FD4056B12W5-88H ★▲	12	6.0~13.8	40.70	106.50	74.50	19,000/18,000	2800	33.60	B	②
FD4056B12W7-88H ★▲	12	6.0~13.8	42.60	117.90	75.50	20,000/19,000	3000	36.00	B	③

- If model depicts "★", auto restart protection function built in.
- If model depicts "▲", polarity protection function built in.

Specifications are subject to change without notice



DC AXIAL FAN 50x50x10mm



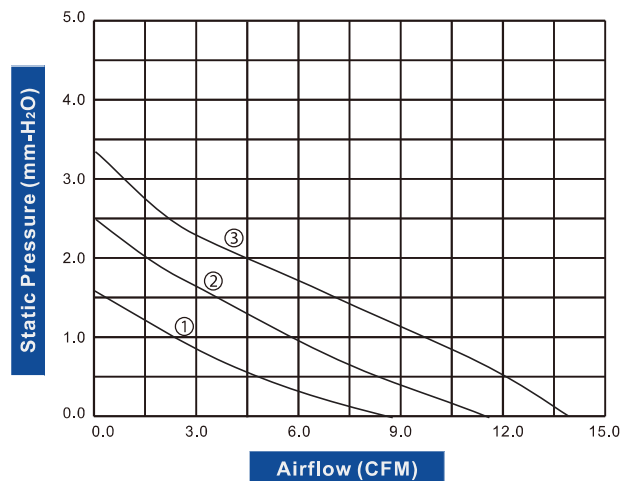
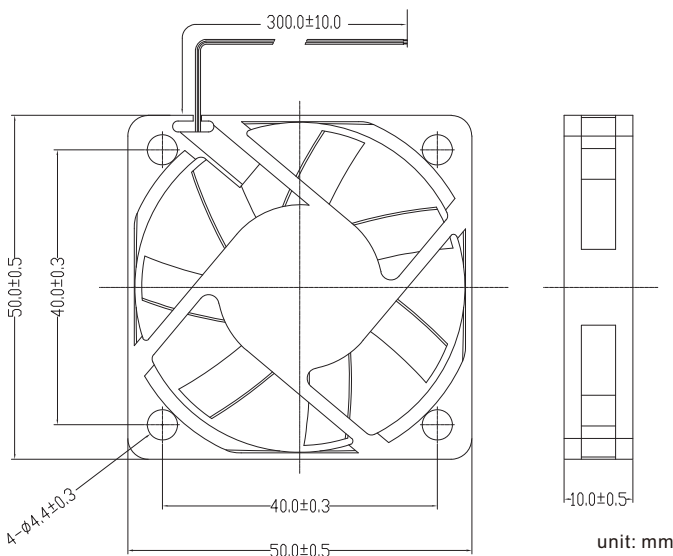
Housing/Blade: Thermoplastic PBT, UL 94V-0
 Insulation Resistance: 10MΩ, 500VDC/min between bare wire and frame
 Dielectric Strength: 5mA max. 500VAC/min between bare wire and frame
 Operation Temperature: -10°C~70°C(Humidity 35%-85%RH)
 Storage Temperature: -40°C~85°C(Humidity 35%-85%RH)
 Lead Wire: UL Type #26 AWG
 Weight: 19 g Packing: 400PCS/CTN



Model Number		Voltage (VDC)	Op.Voltage (VDC)	AirFlow (CFM)	StaticPres. (mm-H ₂ O)	Noise (dBA)	Speed (RPM)	Current (mA)	Power (W)	Available Bearing	Curves
FD5010B05W3-61	★▲	5	3.5~5.75	8.70	1.60	21.70	3,500	140	0.70	B,S	①
FD5010B05W5-61	★▲	5	3.5~5.75	11.20	2.50	27.60	4,500	200	1.00	B,S	②
FD5010B05W7-61	★▲	5	3.5~5.75	13.40	3.30	31.50	5,300	300	1.50	B,S	③
FD5010B12W3-61	★▲	12	6.0~13.8	8.70	1.60	21.70	3,500	70	0.84	B,S	①
FD5010B12W5-61	★▲	12	6.0~13.8	11.20	2.50	27.60	4,500	80	0.96	B,S	②
FD5010B12W7-61	★▲	12	6.0~13.8	13.40	3.30	31.50	5,300	160	1.92	B,S	③

- For "Sleeve" bearing version, change the "B" in the model number to "S" respectively.
- If model depicts "★", auto restart protection function built in.
- If model depicts "▲", polarity protection function built in.

Specifications are subject to change without notice



DC AXIAL FAN 50x50x10mm

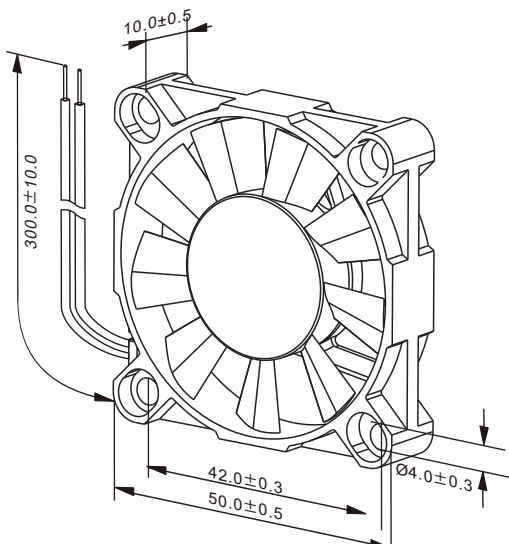


Housing/Blade: Thermoplastic PBT, UL 94V-0
Insulation Resistance: 10M Ω , 500VDC/min between bare wire and frame
Dielectric Strength: 5mA max. 500VAC/min between bare wire and frame
Operation Temperature: -10°C~70°C(Humidity 15%-65%RH)
Storage Temperature: -20°C~85°C(Humidity 15%-65%RH)
Lead Wire: UL Type #26 AWG
Weight: 21 g **Packing:** 400PCS/CTN

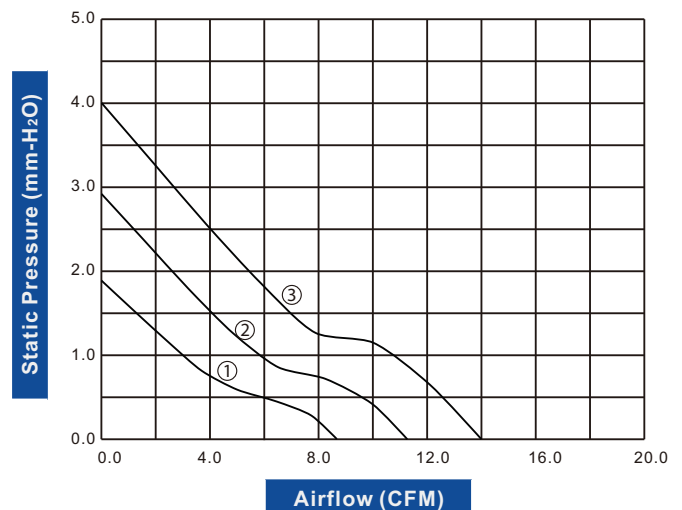
Model Number	Voltage (VDC)	Op.Voltage (VDC)	AirFlow (CFM)	StaticPres. (mm-H ₂ O)	Noise (dBA)	Speed (RPM)	Current (mA)	Power (W)	Available Bearing	Curves
FD5010B05W3-88 ※	5	3.5~5.0	8.80	1.90	29.30	4,000	150	0.75	B,L,S	①
FD5010B05W5-88 ※	5	3.5~5.0	11.30	2.90	30.90	5,000	200	1.00	B,L,S	②
FD5010B05W7-88 ※	5	3.5~5.0	14.00	4.00	34.60	6,000	300	1.50	B,L,S	③
FD5010B12W3-88	12	7.0~13.8	8.80	1.90	29.30	4,000	60	0.72	B,L,S	①
FD5010B12W5-88	12	5.0~13.8	11.30	2.90	30.90	5,000	100	1.20	B,L,S	②
FD5010B12W7-88	12	5.0~13.8	14.00	4.00	34.60	6,000	150	1.80	B,L,S	③

- For "Long Life" or "Sleeve" bearing versions, change the "B" in the model number to "L" or "S" respectively.
- If model depicts "※", UL approvals can be implemented upon request.

Specifications are subject to change without notice



unit: mm



DC AXIAL FAN 50x50x15mm



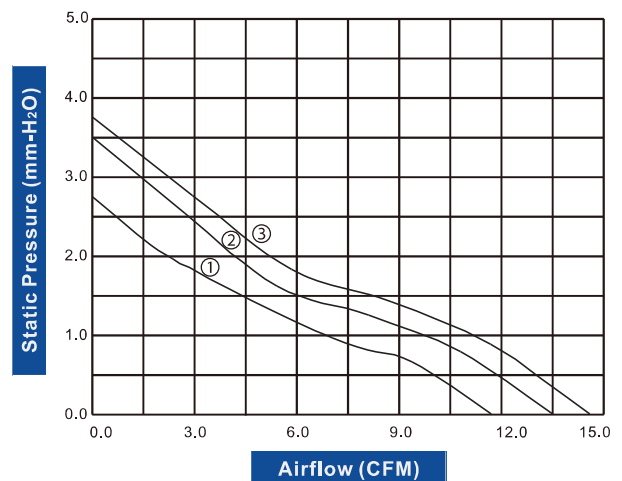
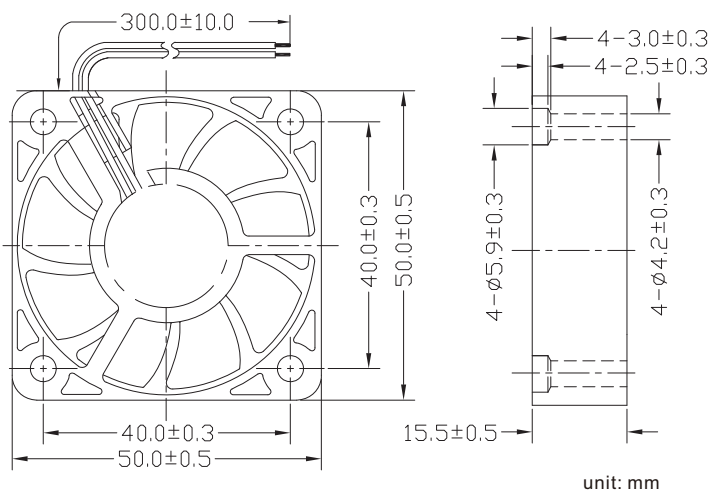
Housing/Blade: Thermalplastic PBT, UL 94V-0
Insulation Resistance: 10MΩ, 500VDC/min between bare wire and frame
Dielectric Strength: 5mA max, 500VAC/min between bare wire and frame
Operation Temperature: -10°C~70°C(Humidity 35%-85%RH)
Storage Temperature: -40°C~80°C(Humidity 35%-85%RH)
Lead Wire: UL Type #26 AWG
Weight: 3g **RoHS:** Compliant



Model Number	Voltage (VDC)	Op.Voltage (VDC)	AirFlow (CFM)	Static Pres. (mm-H ₂ O)	Noise (dBA)	Speed (RPM)	Current (mA)	Power (W)	Available Bearing	Curves
FD5015B05W3-61	★▲ 5	3.5~5.75	11.80	2.70	24.60	4,500	200	1.00	B,S	①
FD5015B05W5-61	★▲ 5	3.5~5.75	13.50	3.50	26.60	5,000	250	1.25	B,S	②
FD5015B05W7-61	★▲ 5	3.5~5.75	14.40	3.70	30.50	5,500	330	1.65	B,S	③
FD5015B12W3-61	★▲ 12	6.0~13.8	11.80	2.70	24.60	4,500	120	1.44	B,S	①
FD5015B12W5-61	★▲ 12	6.0~13.8	13.50	3.50	26.60	5,000	140	1.68	B,S	②
FD5015B12W7-61	★▲ 12	6.0~13.8	14.40	3.70	30.50	5,500	160	1.92	B,S	③
FD5015B24W3-61	★▲ 24	12.0~27.6	11.80	2.70	24.60	4,500	60	1.44	B,S	①
FD5015B24W5-61	★▲ 24	12.0~27.6	13.50	3.50	26.60	5,000	80	1.92	B,S	②
FD5015B24W7-61	★▲ 24	12.0~27.6	14.40	3.70	30.50	5,500	100	2.40	B,S	③

- For "Sleeve" bearing version, change the "B" in the model number to "S" respectively.
- If model depicts "★", auto restart protection function built in.
- If model depicts "▲", polarity protection function built in.

Specifications are subject to change without notice



DC AXIAL FAN 60x60x10mm



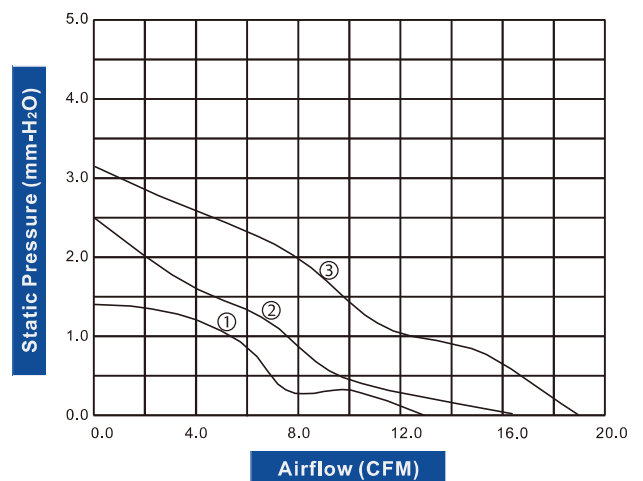
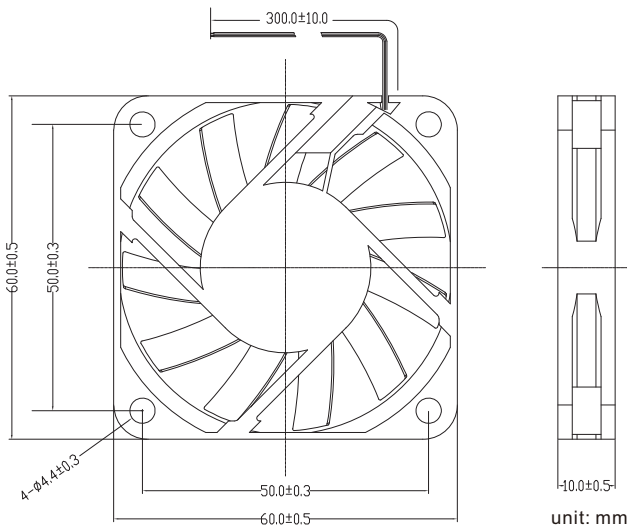
Housing/Blade: Thermoplastic PBT, UL 94V-0
 Insulation Resistance: 10M Ω , 500VDC/min between bare wire and frame
 Dielectric Strength: 5mA max. 500VAC/min between bare wire and frame
 Operation Temperature: -10°C~70°C(Humidity 35%~85%RH)
 Storage Temperature: -40°C~85°C(Humidity 35%~85%RH)
 Lead Wire: UL Type #26 AWG
 Weight: 23 g Packing: 400PCS/CTN



Model Number	Voltage (VDC)	Op.Voltage (VDC)	AirFlow (CFM)	StaticPres. (mm-H ₂ O)	Noise (dBA)	Speed (RPM)	Current (mA)	Power (W)	Available Bearing	Curves
FD6010B05W3-61	★▲ 5	3.5~5.75	12.30	1.40	26.60	3,000	170	0.85	B,S	①
FD6010B05W5-61	★▲ 5	3.5~5.75	16.10	2.50	30.50	3,600	220	1.10	B,S	②
FD6010B05W7-61	★▲ 5	3.5~5.75	18.80	3.20	35.50	4,200	350	1.75	B,S	③
FD6010B12W3-61	★▲ 12	6.0~13.8	12.30	1.40	26.60	3,000	140	1.68	B,S	①
FD6010B12W5-61	★▲ 12	6.0~13.8	16.10	2.50	30.50	3,600	170	2.04	B,S	②
FD6010B12W7-61	★▲ 12	6.0~13.8	12.30	3.20	35.50	4,200	220	2.64	B,S	③
FD6010B24W3-61	★▲ 24	12.0~27.6	12.30	1.40	26.60	3,000	70	1.68	B,S	①
FD6010B24W5-61	★▲ 24	12.0~27.6	16.10	2.50	30.50	3,600	90	2.16	B,S	②
FD6010B24W7-61	★▲ 24	12.0~27.6	18.80	3.20	35.50	4,200	110	2.64	B,S	③

- For "Sleeve" bearing version, change the "B" in the model number to "S" respectively.
- If model depicts "★", auto restart protection function built in.
- If model depicts "▲", polarity protection function built in.

Specifications are subject to change without notice



DC AXIAL FAN 60x60x20mm



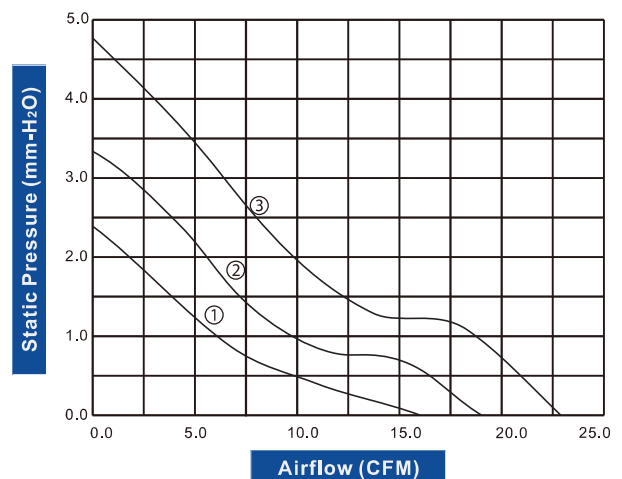
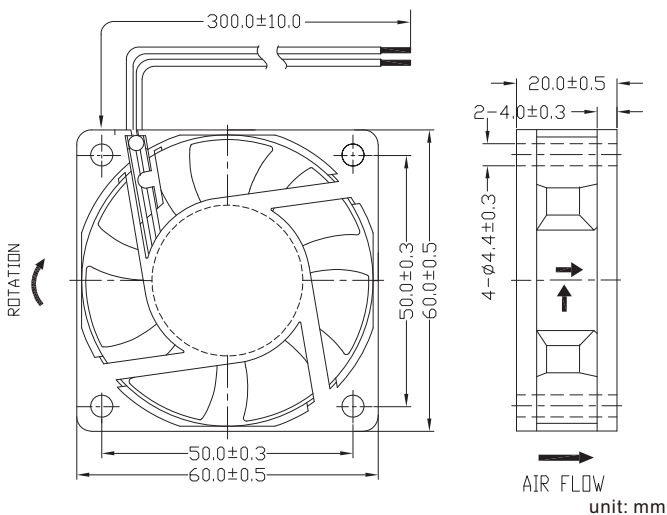
Housing/Blade: Thermalplastic PBT, UL 94V-0
 Insulation Resistance: 10MΩ, 500VDC/min between bare wire and frame
 Dielectric Strength: 5mA max. 500VAC/min between bare wire and frame
 Operation Temperature: -10°C~70°C(Humidity 35%-85%RH)
 Storage Temperature: -40°C~80°C(Humidity 35%-85%RH)
 Lead Wire: UL Type #24 AWG
 Weight: 50 g Packing: 200PCS/CTN



Model Number		Voltage (VDC)	Op.Voltage (VDC)	AirFlow (CFM)	StaticPres. (mm-H ₂ O)	Noise (dBA)	Speed (RPM)	Current (mA)	Power (W)	Available Bearing	Curves
FD6020B12W3-61	★▲	12	6.0~13.8	15.90	2.40	25.60	3,000	80	0.96	B,S	①
FD6020B12W5-61	★▲	12	6.0~13.8	18.80	3.30	28.60	3,500	120	1.44	B,S	②
FD6020B12W7-61	★▲	12	6.0~13.8	22.60	4.80	34.50	4,200	160	1.92	B,S	③
FD6020B24W3-61	★▲※	24	12.0~27.6	15.90	2.40	25.60	3,000	80	1.92	B,S	①
FD6020B24W5-61	★▲※	24	12.0~27.6	18.80	3.30	28.60	3,500	100	2.40	B,S	②
FD6020B24W7-61	★▲※	24	12.0~27.6	22.60	4.80	34.50	4,200	130	3.12	B,S	③

- For "Sleeve" bearing version, change the "B" in the model number to "S" respectively.
- If model depicts "★", auto restart protection function built in.
- If model depicts "▲", polarity protection function built in.
- If model depicts "※", UL and TUV approvals can be implemented upon request.

Specifications are subject to change without notice



DC AXIAL FAN 60x60x25mm



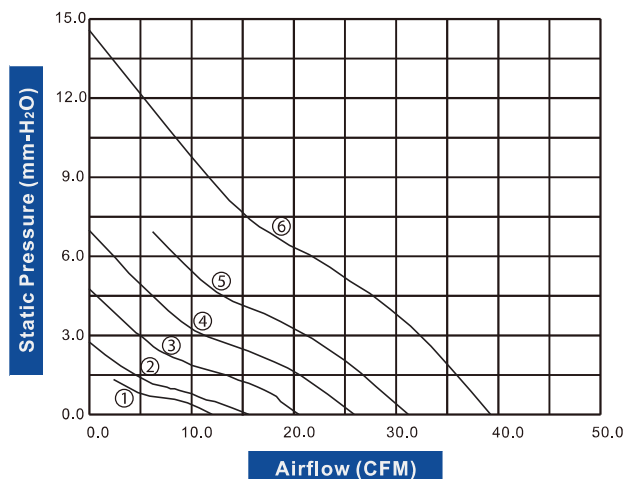
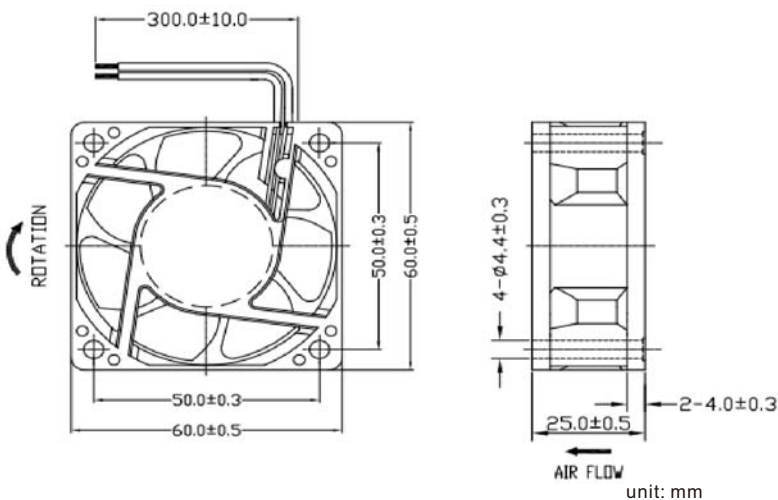
Housing/Blade: Thermalplastic PBT, UL 94V-0
 Insulation Resistance: 10M Ω , 500VDC/min between bare wire and frame
 Dielectric Strength: 5mA max. 500VAC/min between bare wire and frame
 Operation Temperature: -10°C~70°C(Humidity 35%~85%RH)
 Storage Temperature: -40°C~80°C(Humidity 35%~85%RH)
 Lead Wire: UL Type #24 AWG
 Weight: 62 g Packing: 200PCS/CTN



Model Number	Voltage (VDC)	Op.Voltage (VDC)	Air Flow (CFM)	Static Pres. (mm-H ₂ O)	Noise (dBA)	Speed (RPM)	Current (mA)	Power (W)	Available Bearing	Curves
FD6025B12W3-61A ★▲	12	6.0~13.8	12.70	1.80	21.70	2,500	70	0.84	B,S	①
FD6025B12W5-61A ★▲	12	6.0~13.8	15.30	2.60	23.60	3,000	100	1.20	B,S	②
FD6025B12W7-61A ★▲	12	6.0~13.8	20.60	4.60	28.60	4,000	140	1.68	B,S	③
FD6025B24W3-61A ★▲	24	12.0~27.6	12.70	1.80	21.70	2,500	90	2.16	B,S	①
FD6025B24W5-61A ★▲	24	12.0~27.6	15.30	2.60	23.60	3,000	100	2.40	B,S	②
FD6025B24W7-61A ★▲	24	12.0~27.6	20.60	4.60	28.60	4,000	140	3.36	B,S	③
FD6025B48W3-61A ★▲	48	24.0~55.2	26.00	7.10	36.40	5,000	100	4.80	B,S	④
FD6025B48W5-61A ★▲	48	24.0~55.2	31.40	9.70	39.40	6,000	120	5.76	B,S	⑤
FD6025B48W7-61A ★▲	48	24.0~55.2	39.40	14.70	46.30	7,500	180	8.64	B,S	⑥
FD6025B60W3-61A ★▲※	60	36.0~72.0	26.00	7.10	36.40	5,000	200	12.00	B	④

- For "Sleeve" bearing version, change the "B" in the model number to "S" respectively.
- If model depicts "★", auto restart protection function built in.
- If model depicts "▲", polarity protection function built in.
- If model depicts "※"; TUV approvals can be implemented upon request.

Specifications are subject to change without notice



DC AXIAL FAN 60x60x25mm



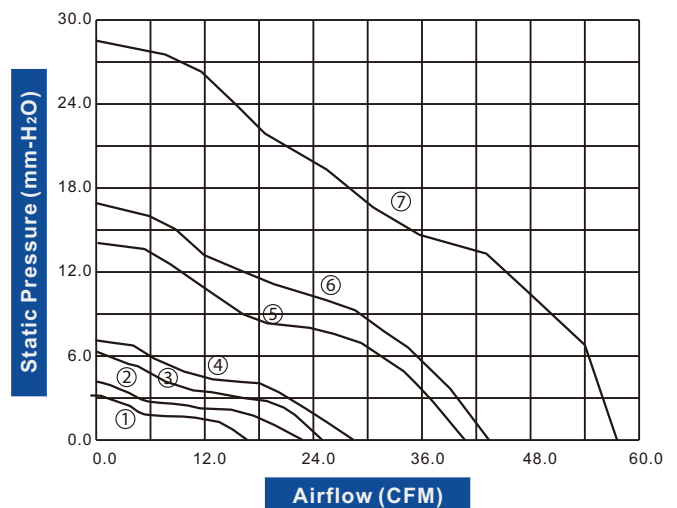
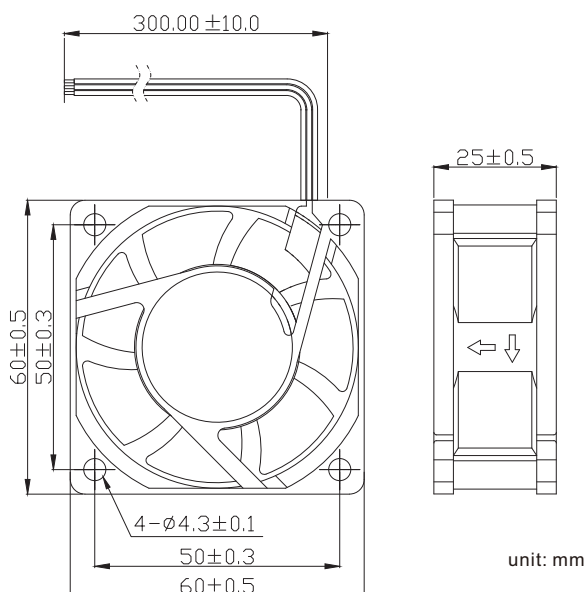
Housing/Blade: Thermoplastic PBT, UL 94V-0
 Insulation Resistance: 10M Ω , 500VDC/min between bare wire and frame
 Dielectric Strength: 5mA max. 500VAC/min between bare wire and frame
 Operation Temperature: -10°C~70°C(Humidity 5%-90%RH)
 Storage Temperature: -40°C~80°C(Humidity 5%-95%RH)
 Lead Wire: UL Type #24 AWG
 Weight: 60 g Packing: 200PCS/CTN



Model Number		Voltage (VDC)	Op.Voltage (VDC)	AirFlow (CFM)	StaticPres. (mm-H ₂ O)	Noise (dBA)	Speed (RPM)	Current (mA)	Power (W)	Available Bearing	Curves
FD6025B12W1-87	★▲	12	6.0~13.2	17.70	3.20	30.90	3,100	70	0.84	B	①
FD6025B12W3-87	★▲	12	6.0~13.2	20.10	4.30	34.10	3,600	100	1.20	B	②
FD6025B12W5-87A	★▲	12	6.0~13.2	24.40	6.10	30.30	4,250	140	1.68	B	③
FD6025B12W7-87A	★▲	12	6.0~13.2	28.10	7.30	36.90	5,000	200	2.40	B	④
FD6025B12W9-87	★▲	12	6.0~13.2	39.50	14.00	41.80	6,800	470	5.64	B	⑤
FD6025B12W11-87A	★▲	12	6.0~13.2	43.30	17.00	44.40	7,500	540	6.48	B	⑥
FD6025B12W13-87	★▲	12	6.0~13.2	57.30	28.90	49.90	9,800	1180	14.16	B	⑦
FD6025B24W1-87A	★▲	24	12.0~26.4	17.70	3.20	30.90	3,100	40	0.96	B	①
FD6025B24W3-87	★▲	24	12.0~26.4	20.10	4.30	34.10	3,600	60	1.44	B	②
FD6025B24W5-87B	★▲	24	12.0~26.4	24.40	6.10	30.30	4,250	90	2.16	B	③
FD6025B24W7-87A	★▲	24	12.0~26.4	28.10	7.30	36.90	5,000	120	2.88	B	④
FD6025B24W9-87B	★▲	24	12.0~26.4	39.50	14.00	41.80	6,800	240	5.76	B	⑤
FD6025B48W3-87	★▲	48	24.0~52.8	24.40	6.10	30.30	4,250	40	1.92	B	③
FD6025B48W5-87	★▲	48	24.0~52.8	28.10	7.30	36.90	5,000	80	3.84	B	④
FD6025B48W7-87B	★▲	48	24.0~52.8	39.50	14.00	41.80	6,800	140	6.72	B	⑤

- If model depicts "★", auto restart protection function built in.
- If model depicts "▲", polarity protection function built in.

Specifications are subject to change without notice



DC AXIAL FAN 60x60x25mm



Housing/Blade: Thermoplastic PBT, UL 94V-0
 Insulation Resistance: 10MΩ, 500VDC/min between bare wire and frame
 Dielectric Strength: 5mA max. 500VAC/min between bare wire and frame
 Operation Temperature: -10°C~70°C(Humidity 15%-65%RH)
 Storage Temperature: -20°C~85°C(Humidity 15%-65%RH)
 Lead Wire: UL Type #26 AWG
 Weight: 51.6 g Packing: 200PCS/CTN

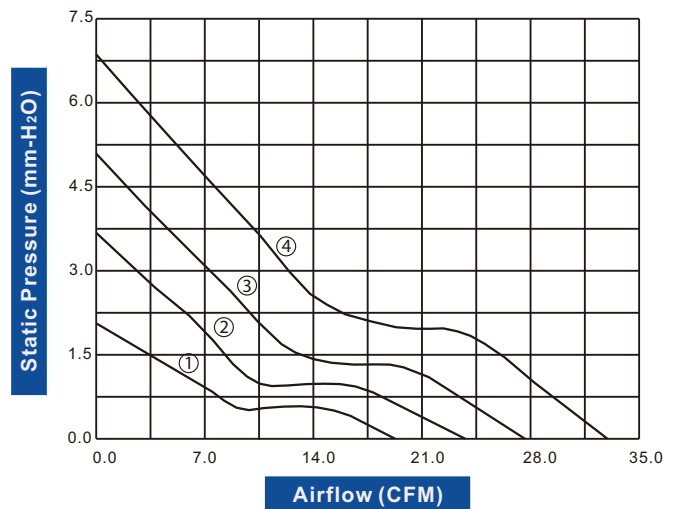
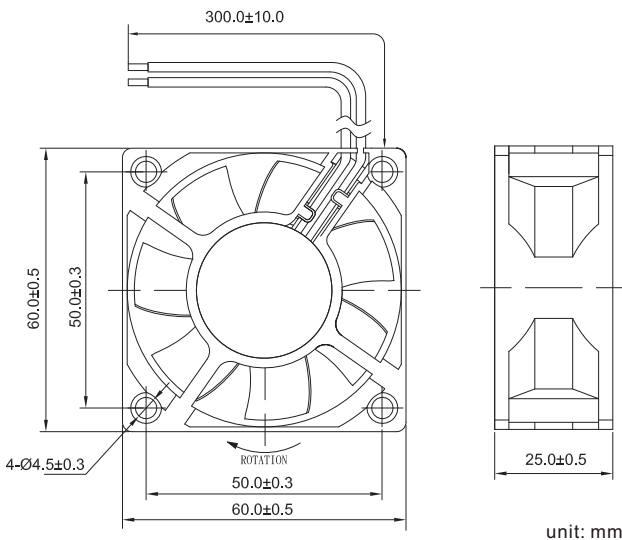


- High Airflow
- Extremely High Static Pressure

Model Number	Voltage (VDC)	Op.Voltage (VDC)	AirFlow (CFM)	StaticPres. (mm-H ₂ O)	Noise (dBA)	Speed (RPM)	Current (mA)	Power (W)	Available Bearing	Curves
FD6025B12W3-88	★▲	12	6.0~13.8	19.20	2.50	21.80	3,000	1.44	B,S	①
FD6025B12W5-88	★▲	12	6.0~13.8	23.20	3.60	25.70	3,600	1.80	B,S	②
FD6025B12W7-88	★▲	12	6.0~13.8	27.40	4.80	29.90	4,200	2.04	B,S	③
FD6025B12W9-88	★▲	12	6.0~13.8	33.80	6.80	35.00	5,000	2.64	B,S	④
FD6025B24W3-88	★▲※	24	12.0~26.0	19.20	2.50	21.80	3,000	1.20	B,S	①
FD6025B24W5-88	★▲※	24	12.0~26.0	23.20	3.60	25.70	3,600	1.50	B,S	②
FD6025B24W7-88	★▲※	24	12.0~26.0	27.40	4.80	29.90	4,200	1.70	B,S	③
FD6025B24W9-88	★▲※	24	12.0~26.0	33.80	6.80	35.00	5,000	2.20	B,S	④

- If model depicts "★", auto restart protection function built in.
- If model depicts "▲", polarity protection function built in.
- If model depicts "※", UL approvals can be implemented upon request.

Specifications are subject to change without notice



DC AXIAL FAN 60x60x38mm

(High Performance Fan Series)



Housing/Blade: Thermoplastic PBT, UL 94V-0

Insulation Resistance: 10MΩ, 500VDC/min between bare wire and frame

Dielectric Strength: 5mA max. 500VAC/min between bare wire and frame

Operation Temperature: -10°C~70°C(Humidity 5%-90%RH)

Storage Temperature: -40°C~80°C(Humidity 5%-95%RH)

Lead Wire: UL Type #24 AWG

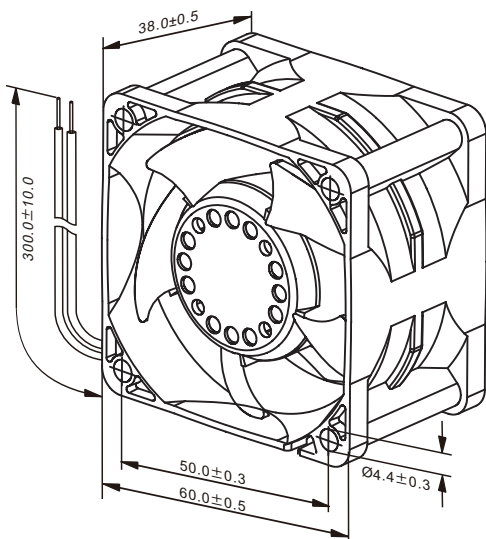
Weight: 145 g Packing: 100PCS/CTN

- High Airflow
- Extremely High Static Pressure

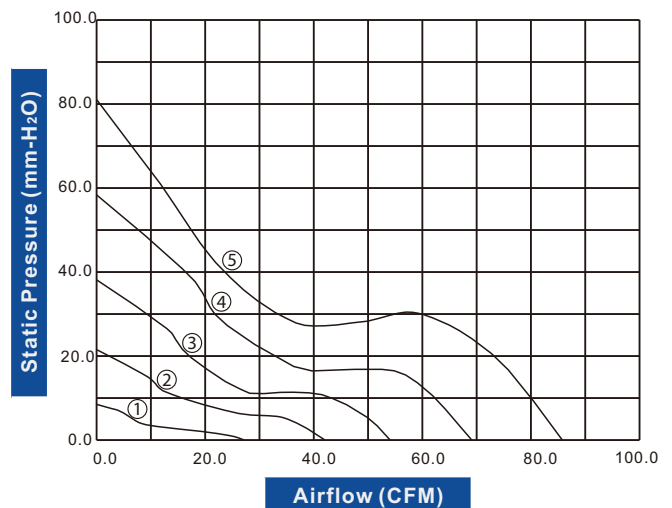
Model Number	Voltage (VDC)	Op.Voltage (VDC)	AirFlow (CFM)	StaticPres. (mm-H ₂ O)	Noise (dBA)	Speed (RPM)	Current (mA)	Power (W)	Available Bearing	Curves
FD6038B12W3-87H ★▲	12	6.0~13.2	26.10	9.38	49.20	6,000	190	2.28	B	①
FD6038B12W5-87H ★▲	12	6.0~13.2	41.60	21.92	51.80	9,000	580	6.96	B	②
FD6038B12W7-87H ★▲	12	6.0~13.2	55.20	38.03	58.00	12,000	1090	13.08	B	③
FD6038B12W9-87H ★▲	12	6.0~13.2	69.10	58.92	62.80	15,000	2070	24.84	B	④
FD6038B12W11-87H ★▲	12	6.0~13.2	85.85	80.05	65.55	17,000	2800	33.60	B	⑤
FD6038B24W3-87H ★▲	24	14.0~26.4	26.10	9.38	49.20	6,000	130	3.12	B	①
FD6038B24W5-87H ★▲	24	14.0~26.4	41.60	21.92	51.80	9,000	260	6.24	B	②
FD6038B24W7-87H ★▲	24	14.0~26.4	55.20	38.03	58.00	12,000	590	14.16	B	③
FD6038B24W9-87H ★▲	24	14.0~26.4	69.10	58.92	62.80	15,000	1150	27.60	B	④
FD6038B24W11-87H ★▲	24	14.0~26.4	85.85	80.05	65.55	17,000	1800	43.20	B	⑤
FD6038B48W3-87H ★▲	48	24.0~52.8	26.10	9.38	49.20	6,000	80	3.84	B	①
FD6038B48W5-87H ★▲	48	24.0~52.8	41.60	21.92	51.80	9,000	150	7.20	B	②
FD6038B48W7-87H ★▲	48	24.0~52.8	55.20	38.03	58.00	12,000	300	14.40	B	③
FD6038B48W9-87H ★▲	48	24.0~52.8	69.10	58.92	62.80	15,000	540	25.92	B	④
FD6038B48W11-87H ★▲	48	24.0~52.8	85.85	80.05	65.55	17,000	820	39.36	B	⑤

- If model depicts "★", auto restart protection function built in.
- If model depicts "▲", polarity protection function built in.

Specifications are subject to change without notice



unit: mm



DC AXIAL FAN 70x70x10mm



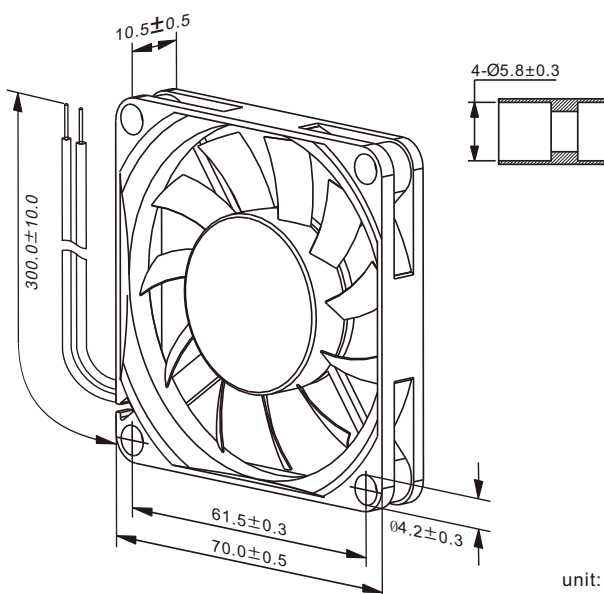
Housing/Blade: Thermoplastic PBT, UL 94V-0
 Insulation Resistance: 10MΩ, 500VDC/min between bare wire and frame
 Dielectric Strength: 5mA max. 500VAC/min between bare wire and frame
 Operation Temperature: -10°C~70°C(Humidity 35%-85%RH)
 Storage Temperature: -40°C~70°C(Humidity 35%-85%RH)
 Lead Wire: UL Type #26 AWG
 Weight: 35 g Packing: 300PCS/CTN



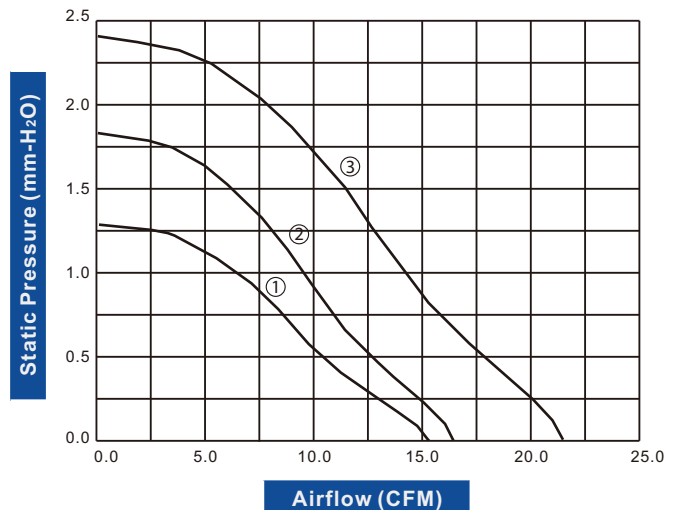
Model Number	Voltage (VDC)	Op.Voltage (VDC)	AirFlow (CFM)	StaticPres. (mm-H ₂ O)	Noise (dBA)	Speed (RPM)	Current (mA)	Power (W)	Available Bearing	Curves
FD7010S12W3-71	12	9.0~13.2	15.10	1.30	24.60	2,500	100	1.20	L,S	①
FD7010S12W5-71	12	9.0~13.2	16.20	1.80	29.00	3,000	140	1.68	L,S	②
FD7010S12W7-71	12	9.0~13.2	21.30	2.40	33.30	3,500	210	2.52	L,S	③
FD7010S24W3-71	24	17.0~28.0	15.10	1.30	24.60	2,500	80	1.92	L,S	①
FD7010S24W5-71	24	17.0~28.0	16.20	1.80	29.00	3,000	110	2.64	L,S	②
FD7010S24W7-71	24	17.0~28.0	21.30	2.40	33.30	3,500	130	3.12	L,S	③

• For "Long Life" or "Sleeve" bearing versions, change the "L" in the model number to or "S" respectively.

Specifications are subject to change without notice



unit: mm



DC AXIAL FAN 80x80x15mm



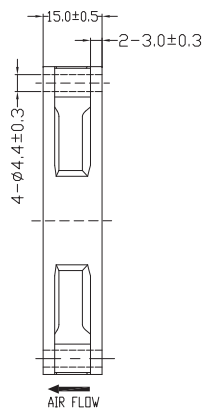
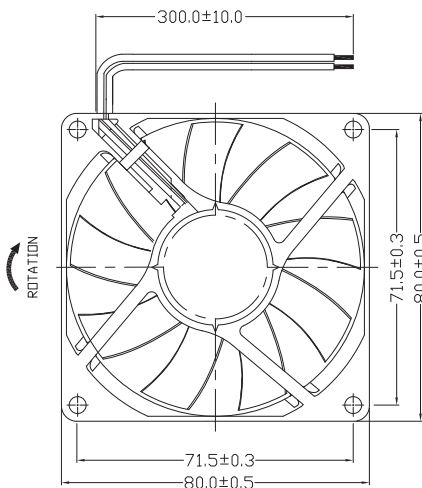
Housing/Blade: Thermoplastic PBT, UL 94V-0
 Insulation Resistance: 10MΩ, 500VDC/min between bare wire and frame
 Dielectric Strength: 5mA max. 500VAC/min between bare wire and frame
 Operation Temperature: -10°C~70°C(Humidity 35%-85%RH)
 Storage Temperature: -40°C~80°C(Humidity 35%-85%RH)
 Lead Wire: UL Type #24 AWG
 Weight: 54 g Packing: 100PCS/CTN



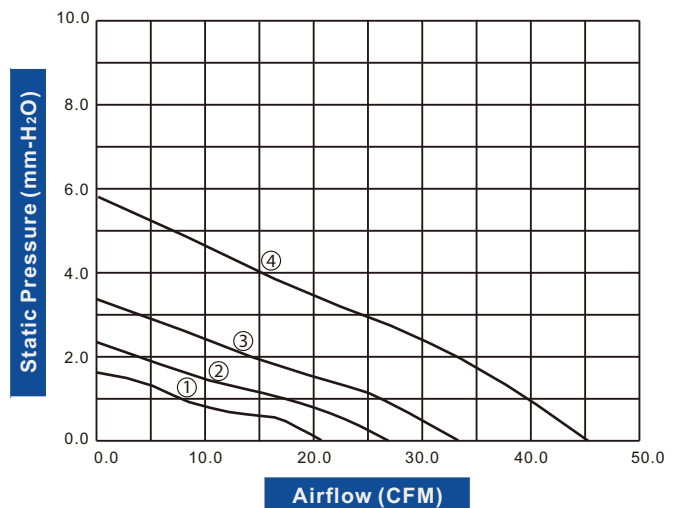
Model Number	Voltage (VDC)	Op.Voltage (VDC)	AirFlow (CFM)	StaticPres. (mm-H ₂ O)	Noise (dBA)	Speed (RPM)	Current (mA)	Power (W)	Available Bearing	Curves
FD8015B12W3-61	★▲	12	6.0~13.8	21.70	1.50	24.60	2,000	90	B,S	①
FD8015B12W5-61	★▲	12	6.0~13.8	27.60	2.20	29.60	2,500	140	B,S	②
FD8015B12W7-61	★▲	12	6.0~13.8	33.20	3.20	34.50	3,000	170	B,S	③
FD8015B24W9-61	★▲	12	6.0~13.8	45.10	5.90	43.30	4,100	270	B,S	④
FD8015B24W3-61	★▲※	24	12.0~27.6	21.70	1.50	24.60	2,000	100	B,S	①
FD8015B24W5-61	★▲※	24	12.0~27.6	27.60	2.20	29.60	2,500	130	B,S	②
FD8015B24W7-61	★▲※	24	12.0~27.6	33.20	3.20	34.50	3,000	150	B,S	③

- For "Fluid Lubricant" bearing version, change the "B" in the model number to "S".
- If model depicts "★", auto restart protection function built in.
- If model depicts "▲", polarity protection function built in.
- If model depicts "※", UL and TUV approvals can be implemented upon request.

Specifications are subject to change without notice



unit: mm



DC AXIAL FAN 80x80x20mm

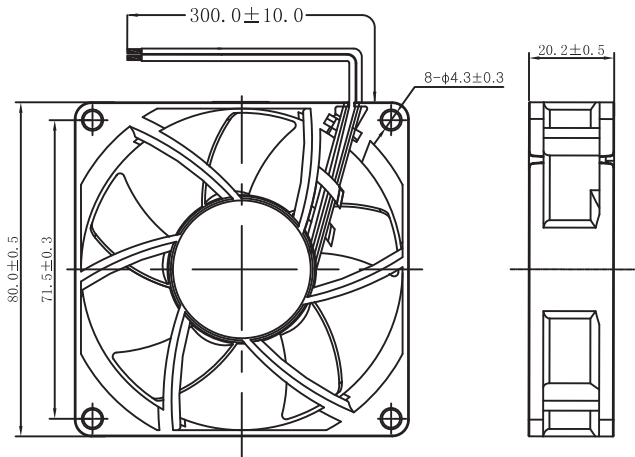


Housing/Blade: Thermoplastic PBT, UL 94V-0
 Insulation Resistance: 10MΩ, 500VDC/min between bare wire and frame
 Dielectric Strength: 5mA max. 500VAC/min between bare wire and frame
 Operation Temperature: -10°C~70°C(Humidity 35%-85%RH)
 Storage Temperature: -40°C~75°C(Humidity 35%-85%RH)
 Lead Wire: UL Type #26 AWG
 Weight: 61 g Packing: 100PCS/CTN

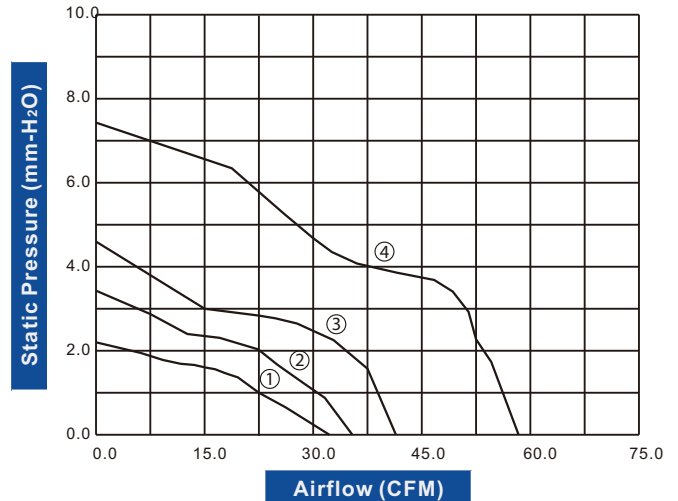
Model Number	Voltage (VDC)	Op.Voltage (VDC)	AirFlow (CFM)	StaticPres. (mm-H ₂ O)	Noise (dBA)	Speed (RPM)	Current (mA)	Power (W)	Available Bearing	Curves
FD8020B12W3-64	★▲ 12	6.0~13.2	30.80	2.30	29.10	2,500	63	0.76	B	①
FD8020B12W5-64	★▲ 12	6.0~13.2	37.90	3.30	31.40	3,000	78	0.94	B	②
FD8020B12W7-64	★▲ 12	6.0~13.2	44.90	4.60	35.00	3,500	10	0.12	B	③
FD8020B12W9-64	★▲ 12	6.0~13.2	57.50	7.40	41.40	4,500	155	1.86	B	④
FD8020B24W3-64	★▲ 24	12.0~26.4	31.30	2.30	29.10	2,500	100	2.40	B	①
FD8020B24W5-64	★▲ 24	12.0~26.4	37.90	3.30	31.40	3,000	120	2.88	B	②
FD8020B24W7-64	★▲ 24	12.0~26.4	44.90	4.60	35.00	3,500	150	3.60	B	③
FD8020B24W9-64	★▲ 24	12.0~26.4	57.50	7.40	41.40	4,500	250	6.00	B	④

- If model depicts "★", auto restart protection function built in.
- If model depicts "▲", polarity protection function built in.

Specifications are subject to change without notice



unit: mm



DC AXIAL FAN 80x80x25mm



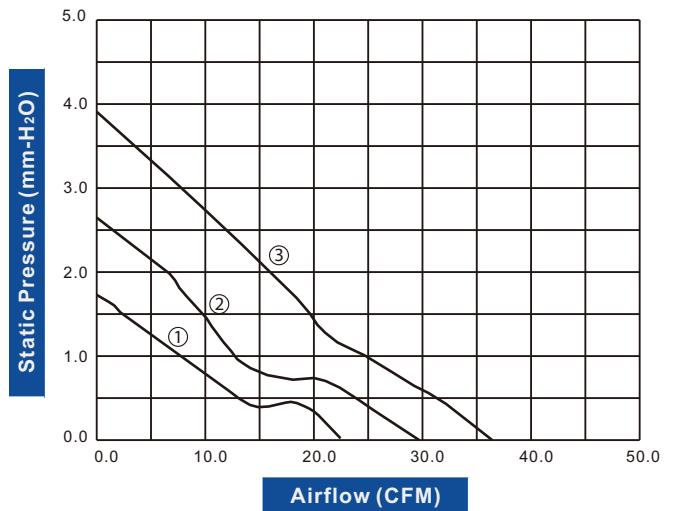
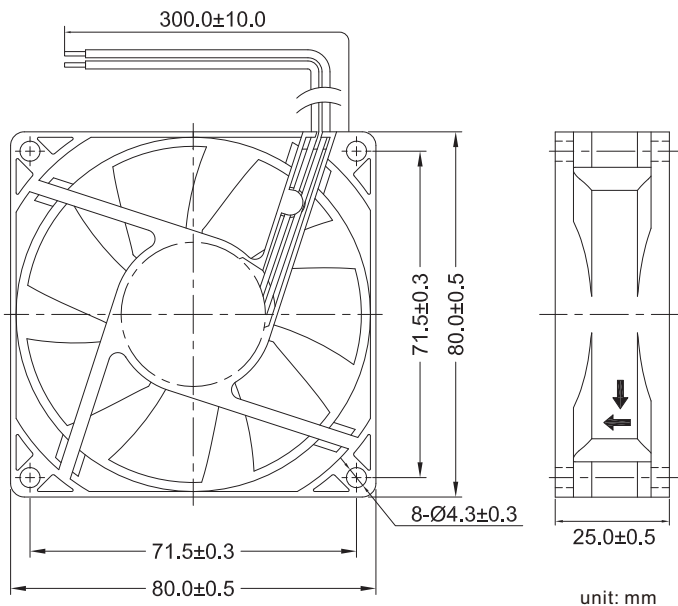
Housing/Blade: Thermoplastic PBT, UL 94V-0
 Insulation Resistance: 10MΩ, 500VDC/min between bare wire and frame
 Dielectric Strength: 5mA max. 500VAC/min between bare wire and frame
 Operation Temperature: -10°C~70°C(Humidity 35%-85%RH)
 Storage Temperature: -40°C~80°C(Humidity 35%-85%RH)
 Lead Wire: UL Type #24 AWG
 Weight: 76 g Packing: 100PCS/CTN



Model Number	Voltage (VDC)	Op.Voltage (VDC)	AirFlow (CFM)	StaticPres. (mm-H ₂ O)	Noise (dBA)	Speed (RPM)	Current (mA)	Power (W)	Available Bearing	Curves
FD8025B05W3-61	★▲	5	3.5~5.75	23.90	1.70	23.60	2,000	220	1.10	B,S ①
FD8025B05W5-61	★▲	5	3.5~5.75	29.90	2.60	28.60	2,500	280	1.40	B,S ②
FD8025B05W7-61	★▲	5	3.5~5.75	36.20	3.90	32.50	3,000	400	2.00	B,S ③
FD8025B12W3-61	★▲	12	6.0~13.8	23.90	1.70	23.60	2,000	80	0.96	B,S ①
FD8025B12W5-61	★▲	12	6.0~13.8	29.90	2.60	28.60	2,500	110	1.32	B,S ②
FD8025B12W7-61	★▲	12	6.0~13.8	36.20	3.90	32.50	3,000	170	2.04	B,S ③
FD8025B24W3-61	★▲	24	12.0~27.6	23.90	1.70	23.60	2,000	90	2.16	B,S ①
FD8025B24W5-61	★▲	24	12.0~27.6	29.90	2.60	28.60	2,500	120	2.88	B,S ②
FD8025B24W7-61	★▲	24	12.0~27.6	36.20	3.90	32.50	3,000	150	3.60	B,S ③

- If model depicts "★", auto restart protection function built in.
- If model depicts "▲", polarity protection function built in.

Specifications are subject to change without notice



DC AXIAL FAN 80x80x25mm



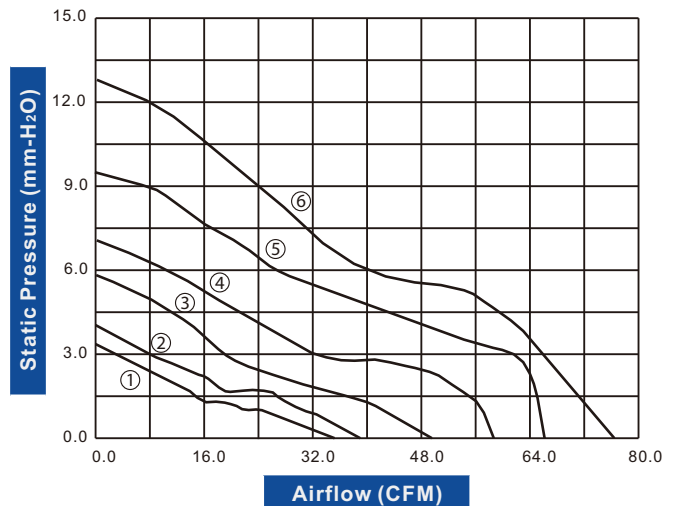
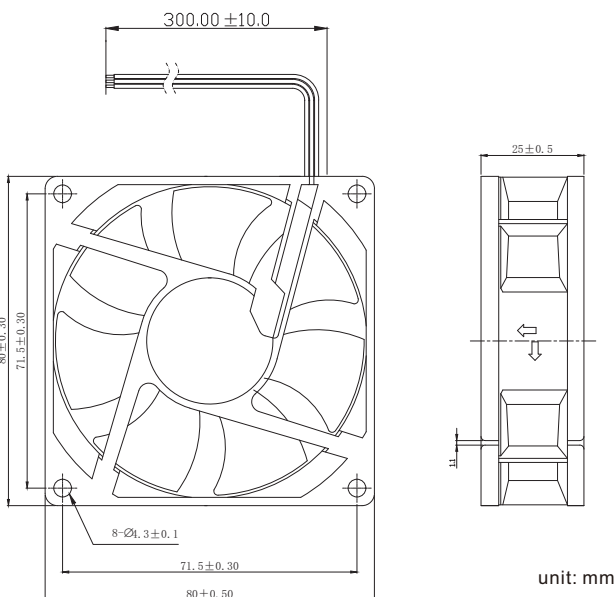
Housing/Blade: Thermoplastic PBT, UL 94V-0
 Insulation Resistance: 10MΩ, 500VDC/min between bare wire and frame
 Dielectric Strength: 5mA max. 500VAC/min between bare wire and frame
 Operation Temperature: -10°C~70°C(Humidity 5%-90%RH)
 Storage Temperature: -40°C~80°C(Humidity 5%-95%RH)
 Lead Wire: UL Type #24 AWG
 Weight: 80 g Packing: 100PCS/CTN



Model Number		Voltage (VDC)	Op.Voltage (VDC)	AirFlow (CFM)	StaticPres. (mm-H ₂ O)	Noise (dBA)	Speed (RPM)	Current (mA)	Power (W)	Available Bearing	Curves
FD8025B05W9-87	★▲	5	3.0~5.5	35.10	3.20	24.80	2,700	260	1.30	B/L/S	①
FD8025B12W1-87A	★▲	12	6.0~13.2	35.10	3.20	24.80	2,700	100	1.20	B/L/S	①
FD8025B12W3-87D	★▲	12	6.0~13.2	39.10	3.90	27.70	3,000	170	2.04	B/L/S	②
FD8025B12W5-87	★▲	12	6.0~13.2	48.20	5.40	31.60	3,600	230	2.76	B/L/S	③
FD8025B12W7-87D	★▲	12	6.0~13.2	57.60	7.40	37.30	4,300	410	4.92	B/L/S	④
FD8025B12W9-87	★▲	12	6.0~13.2	66.50	9.80	41.30	5,000	550	6.60	B/L/S	⑤
FD8025B12W11-87	★▲	12	6.0~13.2	75.70	12.60	44.60	5,700	630	7.56	B/L/S	⑥
FD8025B24W1-87D	★▲	24	12.0~26.4	35.10	3.20	24.80	2,700	40	0.96	B/L/S	①
FD8025B24W3-87D	★▲	24	12.0~26.4	39.10	3.90	27.70	3,000	90	2.16	B/L/S	②
FD8025B24W5-87	★▲	24	12.0~26.4	48.20	5.40	31.60	3,600	140	3.36	B/L/S	③
FD8025B24W7-87	★▲	24	12.0~26.4	57.60	7.40	37.30	4,300	210	5.04	B/L/S	④
FD8025B24W9-87	★▲	24	12.0~26.4	66.50	9.80	41.30	5,000	250	6.00	B	⑤
FD8025B48W5-87D	★▲	48	24.0~52.8	39.10	3.90	27.70	3,000	60	2.88	B/L/S	②
FD8025B48W7-87D	★▲	48	24.0~52.8	48.20	5.40	31.60	3,600	90	4.32	B/L/S	③
FD8025B48W9-87D	★▲	48	24.0~52.8	57.60	7.40	37.30	4,300	140	6.72	B/L/S	④
FD8025B48W11-87D	★▲	48	24.0~52.8	66.50	9.80	41.30	5,000	210	10.08	B	⑤

- If model depicts "★", auto restart protection function built in.
- If model depicts "▲", polarity protection function built in.

Specifications are subject to change without notice



DC AXIAL FAN 80x80x38mm (Stator Outlet Blade)



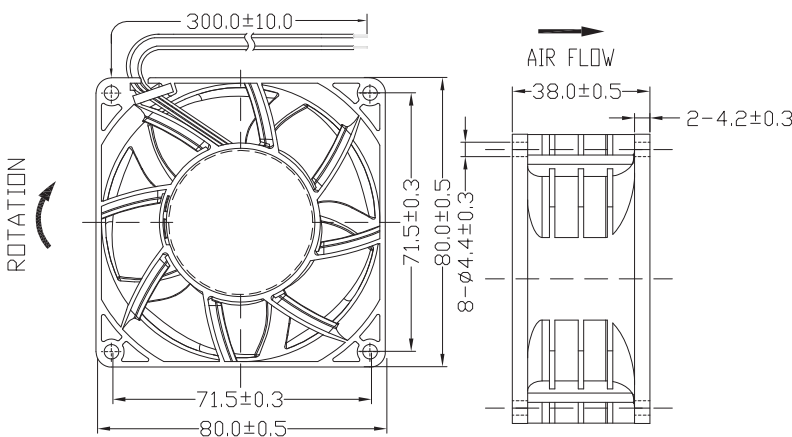
Housing/Blade: Thermalplastic PBT, UL 94V-0
 Insulation Resistance: 10MΩ, 500VDC/min between bare wire and frame
 Dielectric Strength: 5mA max. 500VAC/min between bare wire and frame
 Operation Temperature: -10°C~70°C(Humidity 35%-85%RH)
 Storage Temperature: -40°C~80°C(Humidity 35%-85%RH)
 Lead Wire: UL Type #24 AWG
 Weight: 180 g Packing: 60PCS/CTN



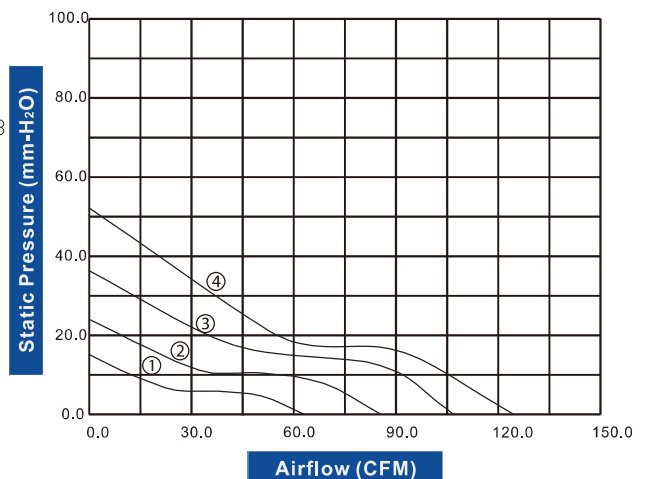
Model Number		Voltage (VDC)	Op.Voltage (VDC)	AirFlow (CFM)	StaticPres. (mm-H ₂ O)	Noise (dBA)	Speed (RPM)	Current (mA)	Power (W)	Available Bearing	Curves
FD8038B12W3-63	★▲	12	6.0~13.8	62.40	12.60	48.30	4,500	450	5.40	B	①
FD8038B12W5-63	★▲	12	6.0~13.8	84.70	22.10	56.10	6,000	850	10.20	B	②
FD8038B12W7-63	★▲	12	6.0~13.8	106.80	35.30	62.10	7,500	1550	18.60	B	③
FD8038B12W9-63	★▲	12	6.0~13.8	125.10	50.80	66.00	9,000	2800	33.60	B	④
FD8038B24W3-63	★▲	24	12.0~27.6	62.40	12.60	48.30	4,500	250	6.00	B	①
FD8038B24W5-63	★▲	24	12.0~27.6	84.70	22.10	56.10	6,000	450	10.80	B	②
FD8038B24W7-63	★▲	24	12.0~27.6	106.80	35.30	62.10	7,500	780	18.72	B	③
FD8038B24W9-63	★▲	24	12.0~27.6	125.10	50.80	66.00	9,000	1400	33.60	B	④
FD8038B48W3-63	★▲	48	24.0~55.2	62.40	12.60	48.30	4,500	180	8.64	B	①
FD8038B48W5-63	★▲	48	24.0~55.2	84.70	22.10	56.10	6,000	280	13.44	B	②
FD8038B48W7-63	★▲	48	24.0~55.2	106.80	35.30	62.10	7,500	450	21.60	B	③
FD8038B48W9-63	★▲	48	24.0~55.2	125.10	50.80	66.00	9,000	750	36.00	B	④

- If model depicts "★", auto restart protection function built in.
- If model depicts "▲", polarity protection function built in.

Specifications are subject to change without notice



unit: mm



DC AXIAL FAN 80x80x38mm

(High Performance Fan Series)



Housing/Blade: Thermoplastic PBT, UL 94V-0
 Insulation Resistance: 10M Ω , 500VDC/min between bare wire and frame
 Dielectric Strength: 5mA max. 500VAC/min between bare wire and frame
 Operation Temperature: -10°C~70°C(Humidity 5%-90%RH)
 Storage Temperature: -40°C~80°C(Humidity 5%-95%RH)
 Lead Wire: UL Type #24 AWG
 Weight: 210 g Packing: 60PCS/CTN

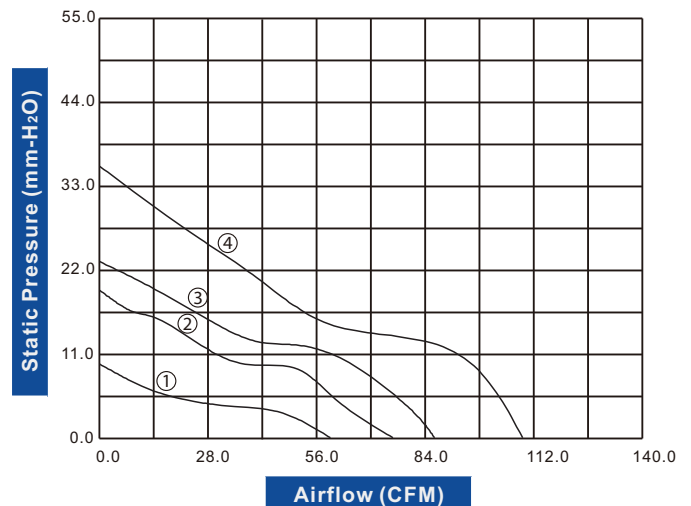
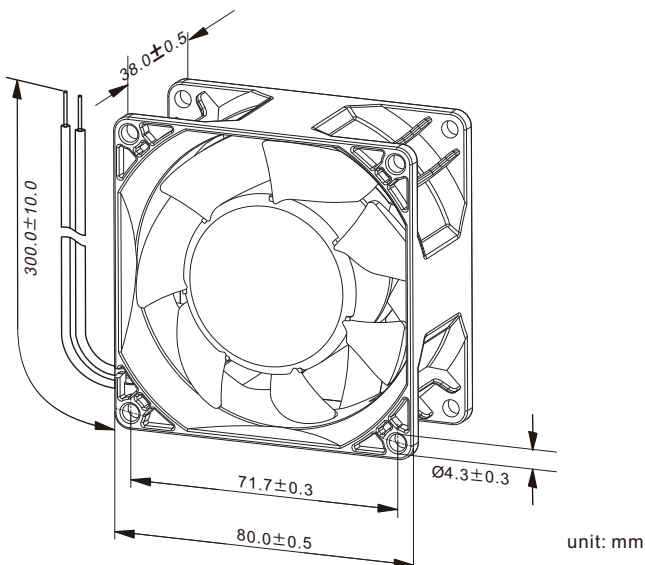


- High Airflow
- Extremely High Static Pressure

Model Number	Voltage (VDC)	Op.Voltage (VDC)	AirFlow (CFM)	StaticPres. (mm-H ₂ O)	Noise (dBA)	Speed (RPM)	Current (mA)	Power (W)	Available Bearing	Curves	
FD8038B12W3-87A	★▲	12	7.0~13.2	59.10	10.60	44.30	4,200	400	4.80	B	①
FD8038B12W5-87A	★▲	12	7.0~13.2	80.00	19.60	52.20	5,600	760	9.12	B	②
FD8038B12W7-87A	★▲	12	7.0~13.2	86.10	22.90	55.20	6,100	1,000	12.00	B	③
FD8038B12W9-87A	★▲	12	7.0~13.2	107.10	35.10	61.10	7,500	1,500	18.00	B	④
FD8038B24W3-87A	★▲	24	14.0~26.4	59.10	10.60	44.30	4,200	250	6.00	B	①
FD8038B24W5-87A	★▲	24	14.0~26.4	80.00	19.60	52.20	5,600	350	8.40	B	②
FD8038B24W7-87A	★▲	24	14.0~26.4	86.10	22.90	55.20	6,100	450	10.80	B	③
FD8038B24W9-87A	★▲	24	14.0~26.4	107.10	35.10	61.10	7,500	820	19.68	B	④
FD8038B48W3-87A	★▲※	48	28.0~56.0	59.10	10.60	44.30	4,200	230	11.04	B	①
FD8038B48W5-87A	★▲※	48	28.0~56.0	80.00	19.60	52.20	5,600	330	15.84	B	②
FD8038B48W7-87A	★▲※	48	28.0~56.0	86.10	22.90	55.20	6,100	510	24.48	B	③
FD8038B48W9-87A	★▲※	48	28.0~56.0	107.10	35.10	61.10	7,500	580	27.84	B	④

- If model depicts "★", auto restart protection function built in.
- If model depicts "▲", polarity protection function built in.
- If model depicts "※", UL approvals can be implemented upon request.

Specifications are subject to change without notice



DC AXIAL FAN 80x80x38mm

(High Performance Fan Series)



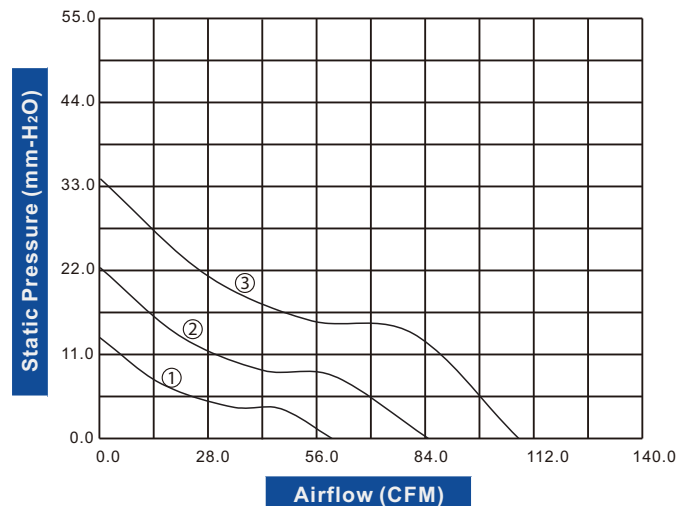
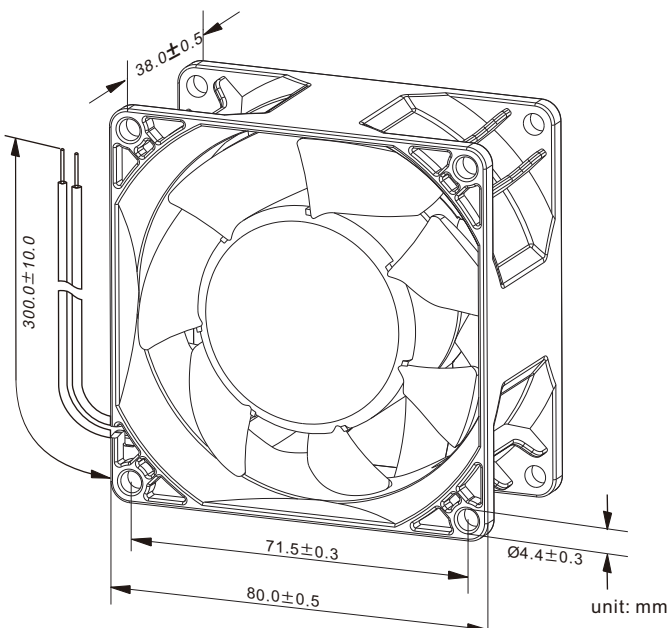
Housing/Blade: Thermoplastic PBT, UL 94V-0
 Insulation Resistance: 10M Ω , 500VDC/min between bare wire and frame
 Dielectric Strength: 5mA max. 500VAC/min between bare wire and frame
 Operation Temperature: -10°C~70°C(Humidity 15%-65%RH)
 Storage Temperature: -20°C~85°C(Humidity 15%-65%RH)
 Lead Wire: UL Type #24 AWG
 Weight: 177 g Packing: 60PCS/CTN

- High Airflow
- Extremely High Static Pressure

Model Number	Voltage (VDC)	Op.Voltage (VDC)	AirFlow (CFM)	StaticPres. (mm-H ₂ O)	Noise (dBA)	Speed (RPM)	Current (mA)	Power (W)	Available Bearing	Curves
FD8038B12W3-88H ★▲	12	6.5~13.8	64.10	13.20	50.50	5,000	700	8.40	B	①
FD8038B12W5-88H ★▲	12	6.0~13.8	84.20	22.50	57.50	6,500	1,500	18.00	B	②
FD8038B12W7-88H ★▲	12	6.0~13.8	100.60	35.50	62.80	8,000	2,800	33.60	B	③
FD8038B24W3-88H ★▲	24	15.0~30.0	64.10	13.20	50.50	5,000	400	9.60	B	①
FD8038B24W5-88H ★▲	24	15.0~30.0	84.20	22.50	57.50	6,500	700	16.80	B	②
FD8038B24W7-88H ★▲	24	15.0~30.0	100.60	35.50	62.80	8,000	1,600	38.40	B	③
FD8038B48W3-88H ★▲	48	25.0~60.0	64.10	13.20	50.50	5,000	300	14.40	B	①
FD8038B48W5-88H ★▲	48	25.0~60.0	84.20	22.50	57.50	6,500	400	19.20	B	②
FD8038B48W7-88H ★▲	48	25.0~60.0	100.60	35.50	62.80	8,000	1,000	48.00	B	③

- If model depicts "★", auto restart protection function built in.
- If model depicts "▲", polarity protection function built in.

Specifications are subject to change without notice



DC AXIAL FAN 92x92x25mm



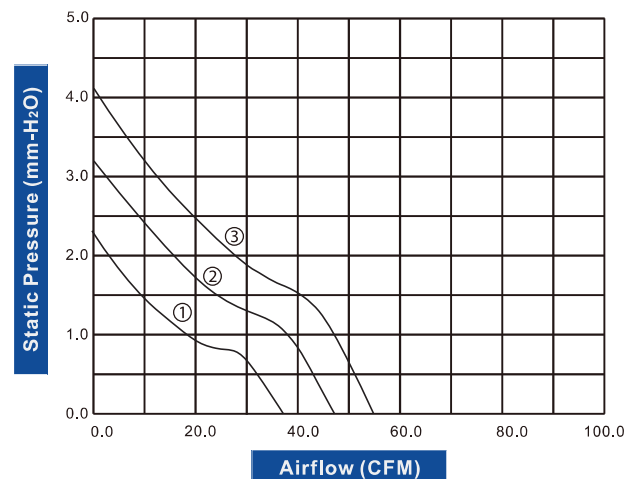
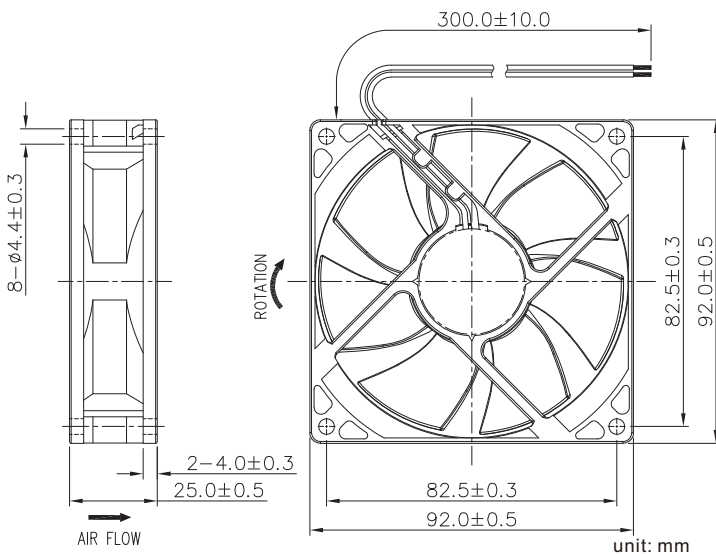
Housing/Blade: Thermalplastic PBT, UL 94V-0
 Insulation Resistance: 10MΩ, 500VDC/min between bare wire and frame
 Dielectric Strength: 5mA max. 500VAC/min between bare wire and frame
 Operation Temperature: -10°C~70°C(Humidity 35%-85%RH)
 Storage Temperature: -40°C~80°C(Humidity 35%-85%RH)
 Lead Wire: UL Type #24 AWG
 Weight: 85 g Packing: 100PCS/CTN



Model Number	Voltage (VDC)	Op.Voltage (VDC)	AirFlow (CFM)	StaticPres. (mm-H ₂ O)	Noise (dBA)	Speed (RPM)	Current (mA)	Power (W)	Available Bearing	Curves
FD9225B12W3-61	★▲ 12	6.0~13.8	37.70	2.30	28.60	2,000	160	1.92	B,S	①
FD9225B12W5-61	★▲ 12	6.0~13.8	47.70	3.20	33.50	2,500	190	2.28	B,S	②
FD9225B12W7-61	★▲ 12	6.0~13.8	53.10	4.10	36.40	2,800	230	2.76	B,S	③
FD9225B24W3-61	★▲ 24	12.0~27.6	37.70	2.30	28.60	2,000	150	3.60	B,S	①
FD9225B24W5-61	★▲ 24	12.0~27.6	47.70	3.20	33.50	2,500	180	4.32	B,S	②
FD9225B24W7-61	★▲ 24	12.0~27.6	53.10	4.10	36.40	2,800	220	5.28	B,S	③

- For "Sleeve" bearing version, change the "B" in the model number to "S" respectively.
- If model depicts "★", auto restart protection function built in.
- If model depicts "▲", polarity protection function built in.

Specifications are subject to change without notice



DC AXIAL FAN 92x92x38mm

(High Performance Fan Series)



Housing/Blade: Thermoplastic PBT, UL 94V-0
 Insulation Resistance: 10M Ω , 500VDC/min between bare wire and frame
 Dielectric Strength: 5mA max. 500VAC/min between bare wire and frame
 Operation Temperature: -10°C~70°C(Humidity 5%-90%RH)
 Storage Temperature: -40°C~80°C(Humidity 5%-95%RH)
 Lead Wire: UL Type #24 AWG
 Weight: 200 g Packing: 60PCS/CTN

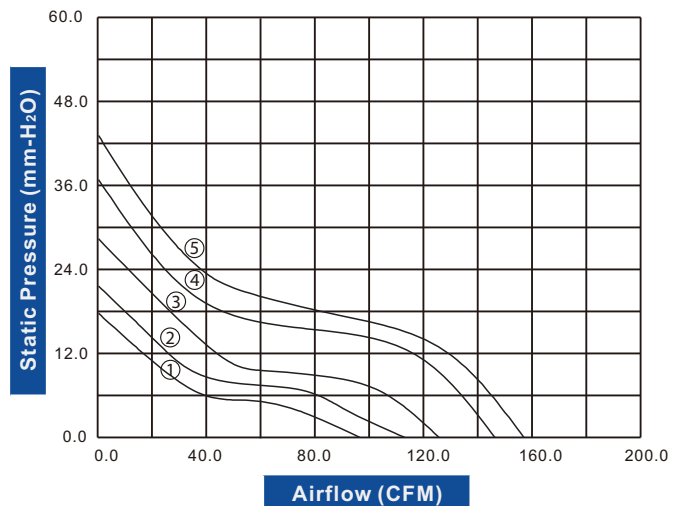
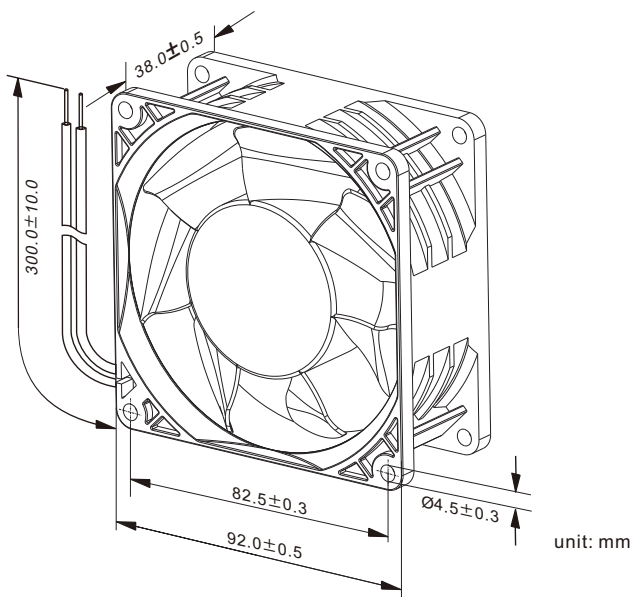


- High Airflow
- Extremely High Static Pressure

Model Number	Voltage (VDC)	Op.Voltage (VDC)	AirFlow (CFM)	StaticPres. (mm-H ₂ O)	Noise (dBA)	Speed (RPM)	Current (mA)	Power (W)	Available Bearing	Curves	
FD9238B12W3-87	★▲	12	7.0~13.2	98.60	18.00	51.20	4,300	500	6.00	B	①
FD9238B12W5-87	★▲	12	7.0~13.2	110.80	22.20	57.10	5,000	900	10.80	B	②
FD9238B12W7-87	★▲	12	7.0~13.2	125.30	28.90	63.00	6,000	1,200	14.40	B	③
FD9238B12W9-87	★▲	12	7.0~13.2	147.80	37.60	66.00	7,000	2,500	30.00	B	④
FD9238B12W11-87	★▲	12	7.0~13.2	158.30	43.20	67.50	7,500	2,710	32.52	B	⑤
FD9238B24W3-87	★▲	24	14.0~26.4	98.60	18.00	51.20	4,300	350	8.40	B	①
FD9238B24W5-87	★▲	24	14.0~26.4	110.80	22.20	57.10	5,000	450	10.80	B	②
FD9238B24W7-87	★▲	24	14.0~26.4	125.30	28.90	63.00	6,000	760	18.24	B	③
FD9238B24W9-87	★▲	24	14.0~26.4	147.80	37.60	66.00	7,000	1,100	26.40	B	④
FD9238B24W11-87	★▲	24	14.0~26.4	158.30	43.20	67.50	7,500	1,650	39.60	B	⑤
FD9238B48W3-87	★▲	48	28.0~56.0	98.60	18.00	51.20	4,300	240	11.52	B	①
FD9238B48W5-87	★▲	48	28.0~56.0	110.80	22.20	57.10	5,000	280	13.44	B	②
FD9238B48W7-87	★▲	48	28.0~56.0	125.30	28.90	63.00	6,000	410	19.68	B	③
FD9238B48W9-87	★▲	48	28.0~56.0	147.80	37.60	66.00	7,000	600	28.80	B	④
FD9238B48W11-87	★▲	48	28.0~56.0	158.30	43.20	67.50	7,500	900	43.20	B	⑤

- If model depicts "★", auto restart protection function built in.
- If model depicts "▲", polarity protection function built in.

Specifications are subject to change without notice



DC AXIAL FAN 120x120x25mm



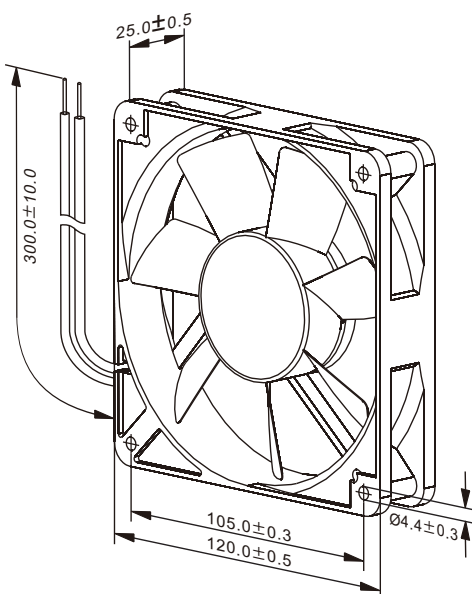
Housing/Blade: Thermoplastic PBT, UL 94V-0
Insulation Resistance: 10MΩ, 500VDC/min between bare wire and frame
Dielectric Strength: 5mA max, 500VAC/min between bare wire and frame
Operation Temperature: -10°C~70°C(Humidity 35%-85%RH)
Storage Temperature: -40°C~70°C(Humidity 35%-85%RH)
Lead Wire: UL Type #24 AWG
Weight: 164 g **Packing:** 60PCS/CTN



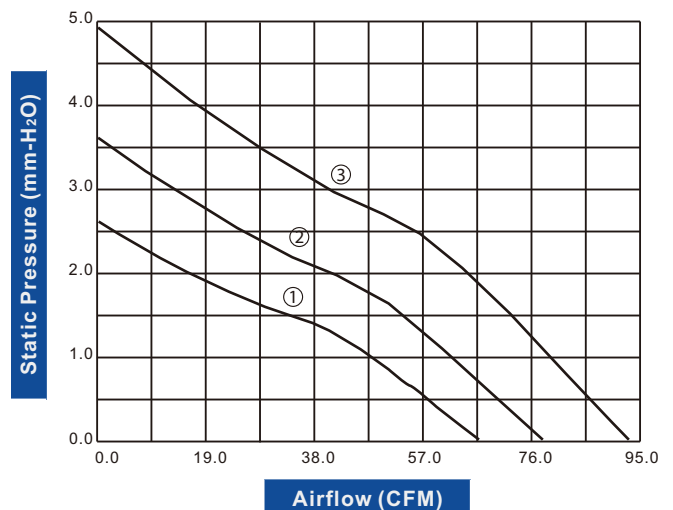
Model Number	Voltage (VDC)	Op.Voltage (VDC)	AirFlow (CFM)	StaticPres. (mm-H ₂ O)	Noise (dBA)	Speed (RPM)	Current (mA)	Power (W)	Available Bearing	Curves
FD1225B12W2-61	▲ 12	6.0~13.8	66.10	2.60	33.50	1,700	180	2.16	B,S	①
FD1225B12W3-61	★▲ 12	6.0~13.8	78.10	3.60	37.40	2,000	230	2.76	B,S	②
FD1225B12W5-61	★▲ 12	6.0~13.8	93.00	4.90	43.30	2,400	340	4.08	B,S	③
FD1225B24W2-61	▲ 24	12.0~27.6	66.10	2.60	33.50	1,700	110	2.64	B,S	①
FD1225B24W3-61	★▲ 24	12.0~27.6	78.10	3.60	37.40	2,000	170	4.08	B,S	②
FD1225B24W5-61	★▲ 24	12.0~27.6	93.00	4.90	43.30	2,400	280	6.72	B,S	③

- For "Sleeve" bearing version, change the "B" in the model number to "S".
- If model depicts "★", auto restart protection function built in.
- If model depicts "▲", polarity protection function built in.

Specifications are subject to change without notice



unit: mm



DC AXIAL FAN 120x120x25mm

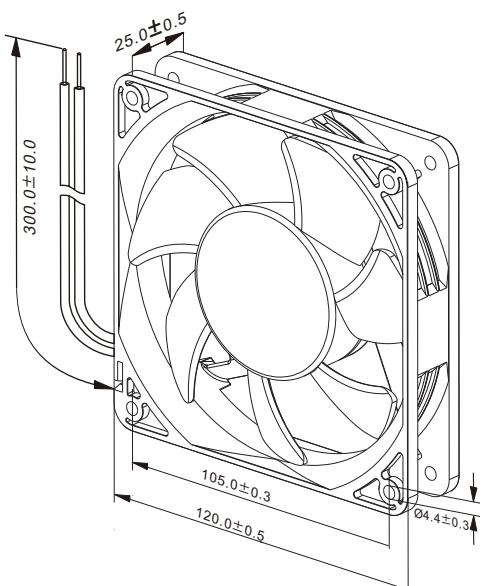


Housing/Blade: Thermoplastic PBT, UL 94V-0
 Insulation Resistance: 10M Ω , 500VDC/min between bare wire and frame
 Dielectric Strength: 5mA max. 500VAC/min between bare wire and frame
 Operation Temperature: -10°C~70°C(Humidity 35%-85%RH)
 Storage Temperature: -40°C~75°C(Humidity 35%-85%RH)
 Lead Wire: UL Type #24 AWG
 Weight: 217.6 g Packing: 60PCS/CTN

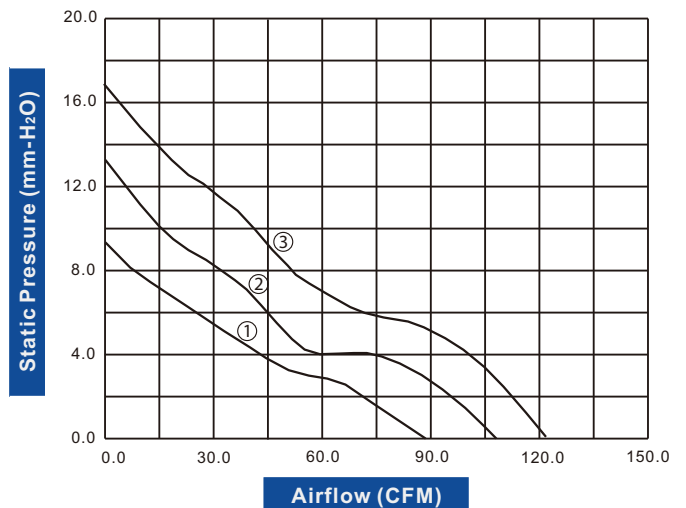
Model Number	Voltage (VDC)	Op.Voltage (VDC)	AirFlow (CFM)	StaticPres. (mm-H ₂ O)	Noise (dBA)	Speed (RPM)	Current (mA)	Power (W)	Available Bearing	Curves	
FD1225B12W3-75	★▲	12	6.0~13.8	89.10	9.30	39.90	2,900	280	3.36	B	①
FD1225B12W5-75	★▲	12	6.0~13.8	111.50	13.50	47.70	3,500	390	4.68	B	②
FD1225B12W7-75	★▲	12	6.0~13.8	121.90	17.00	50.00	4,100	590	7.08	B	③
FD1225B24W3-75	★▲	24	16.0~27.6	89.10	9.30	39.90	2,900	150	3.60	B	①
FD1225B24W5-75	★▲	24	16.0~27.6	111.50	13.50	47.70	3,500	210	5.04	B	②
FD1225B24W7-75	★▲	24	16.0~27.6	121.90	17.00	50.00	4,100	310	7.44	B	③
FD1225B48W3-75	★▲	48	30.0~55.2	89.10	9.30	39.90	2,900	80	3.84	B	①
FD1225B48W5-75	★▲	48	30.0~55.2	111.50	13.50	47.70	3,500	120	5.76	B	②
FD1225B48W7-75	★▲	48	30.0~55.2	121.90	17.00	50.00	4,100	170	8.16	B	③

- If model depicts "★", auto restart protection function built in.
- If model depicts "▲", polarity protection function built in.
- If model depicts "※", UL and TUV approvals can be implemented upon request.

Specifications are subject to change without notice



unit: mm



DC AXIAL FAN 120x120x32mm



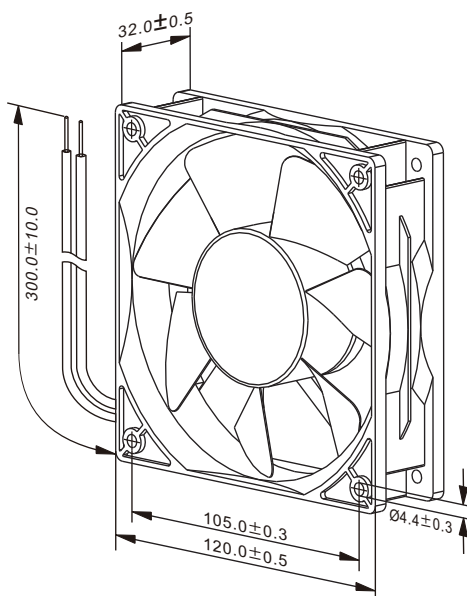
Housing/Blade: Thermoplastic PBT, UL 94V-0
 Insulation Resistance: 10MΩ, 500VDC/min between bare wire and frame
 Dielectric Strength: 5mA max. 500VAC/min between bare wire and frame
 Operation Temperature: -10°C~70°C(Humidity 35%-85%RH)
 Storage Temperature: -40°C~70°C(Humidity 35%-85%RH)
 Lead Wire: UL Type #22 AWG
 Weight: 250 g Packing: 40PCS/CTN



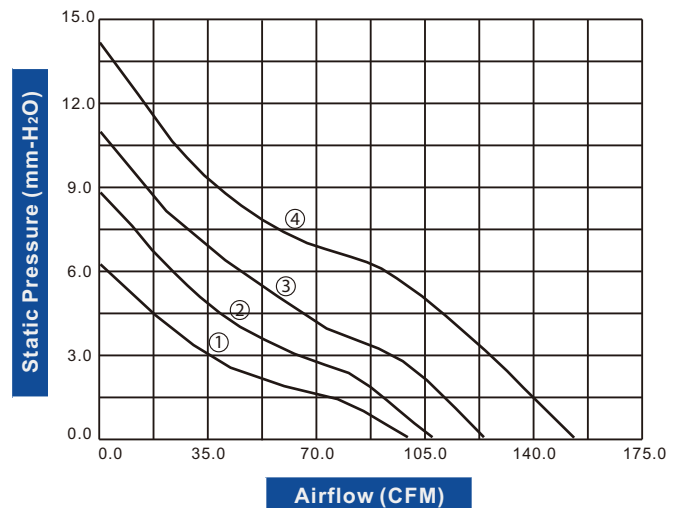
Model Number	Voltage (VDC)	Op.Voltage (VDC)	AirFlow (CFM)	StaticPres. (mm-H ₂ O)	Noise (dBA)	Speed (RPM)	Current (mA)	Power (W)	Available Bearing	Curves
FD1232B12W3-61 ★	12	6.0~13.8	94.40	7.00	43.30	2,900	320	3.84	B,S	①
FD1232B12W5-61 ★	12	6.0~13.8	108.20	8.70	47.30	3,300	500	6.00	B,S	②
FD1232B12W7-61 ★	12	6.0~13.8	122.20	10.90	50.20	3,750	600	7.20	B,S	③
FD1232B24W3-61 ★	24	12.0~27.6	94.40	7.00	43.30	2,900	160	3.84	B,S	①
FD1232B24W5-61 ★	24	12.0~27.6	108.20	8.70	47.30	3,300	220	5.28	B,S	②
FD1232B24W7-61 ★	24	12.0~27.6	122.20	10.90	50.20	3,750	280	6.72	B,S	③
FD1232B48W3-61 ★	48	24.0~55.2	94.40	7.00	43.30	2,900	130	6.24	B,S	①
FD1232B48W5-61 ★	48	24.0~55.2	108.20	8.70	47.30	3,300	150	7.20	B,S	②
FD1232B48W7-61 ★	48	24.0~55.2	122.20	10.90	50.20	3,750	180	8.64	B,S	③
FD1232B60W9-61 ★ ※	60	36.0~72.0	153.40	14.00	54.20	4,400	300	18.0	B	④

- For "Sleeve" bearing version, change the "B" in the model number to "S".
- If model depicts "★", auto restart protection function built in.
- If model depicts "※", TUV approvals can be implemented upon request.

Specifications are subject to change without notice



unit: mm



DC AXIAL FAN 120x120x38mm



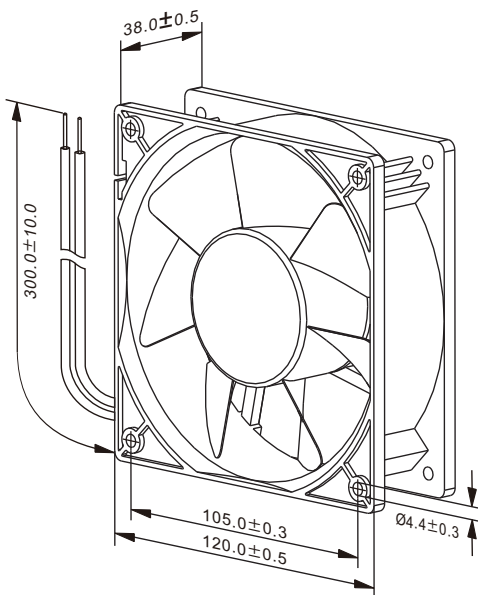
Housing/Blade: Thermoplastic PBT, UL 94V-0
 Insulation Resistance: 10MΩ, 500VDC/min between bare wire and frame
 Dielectric Strength: 5mA max. 500VAC/min between bare wire and frame
 Operation Temperature: -10°C~70°C(Humidity 35%-85%RH)
 Storage Temperature: -40°C~70°C(Humidity 35%-85%RH)
 Lead Wire: UL Type #24 AWG
 Weight: 290 g Packing: 40PCS/CTN



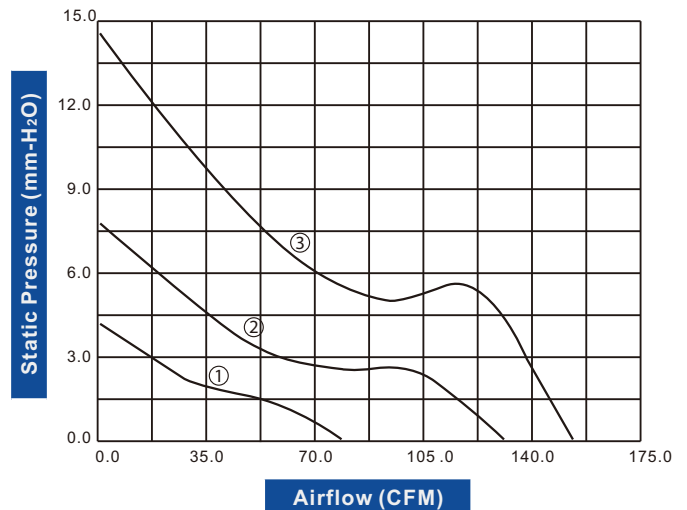
Model Number	Voltage (VDC)	Op.Voltage (VDC)	AirFlow (CFM)	StaticPres. (mm-H ₂ O)	Noise (dBA)	Speed (RPM)	Current (mA)	Power (W)	Available Bearing	Curves
FD1238B12W2-62	★▲ 12	6.0~13.8	81.60	4.20	34.50	2,000	280	3.36	B,S	①
FD1238B12W3-62	★▲ 12	6.0~13.8	130.60	7.90	43.30	2,900	580	6.96	B,S	②
FD1238B12W7-62	★▲ 12	6.0~13.8	156.30	14.80	51.20	3,800	1300	15.60	B,S	③
FD1238B24W2-62	★▲ 24	12.0~27.6	81.60	4.20	34.50	2,000	300	7.20	B,S	①
FD1238B24W3-62	★▲ 24	12.0~27.6	130.60	7.49	43.30	2,900	400	9.60	B,S	②
FD1238B24W7-62	★▲ 24	12.0~27.6	156.30	14.80	51.20	3,800	600	14.40	B,S	③
FD1238B48W2-62	★▲ 48	24.0~55.2	81.60	4.20	34.50	2,000	200	9.60	B,S	①
FD1238B48W3-62	★▲ 48	24.0~55.2	130.60	7.49	43.30	2,900	300	14.40	B,S	②
FD1238B48W7-62	★▲ 48	24.0~55.2	156.30	14.80	51.20	3,800	350	16.80	B,S	③

- For "Sleeve" bearing version, change the "B" in the model number to "S".
- If model depicts "★", auto restart protection function built in.
- If model depicts "▲", polarity protection function built in.

Specifications are subject to change without notice



unit: mm



DC AXIAL FAN 120x120x38mm (Stator Outlet Blade)



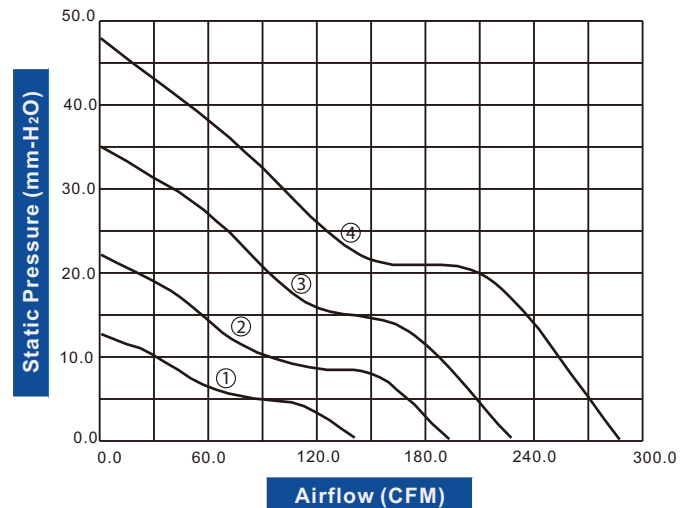
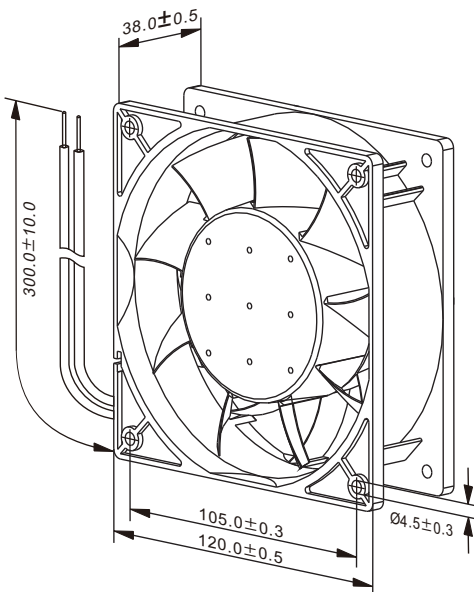
Housing/Blade: Thermoplastic PBT, UL 94V-0
Insulation Resistance: 10M Ω , 500VDC/min between bare wire and frame
Dielectric Strength: 5mA max. 500VAC/min between bare wire and frame
Operation Temperature: -10°C~70°C(Humidity 35%-85%RH)
Storage Temperature: -40°C~70°C(Humidity 35%-85%RH)
Lead Wire: UL Type #24 AWG
Weight: 350 g **Packing:** 40PCS/CTN



Model Number		Voltage (VDC)	Op.Voltage (VDC)	AirFlow (CFM)	StaticPres. (mm-H ₂ O)	Noise (dBA)	Speed (RPM)	Current (mA)	Power (W)	Available Bearing	Curves
FD1238B12W2-63	★▲	12	6.0~13.8	141.90	12.10	51.20	3,000	1,500	18.00	B,S	①
FD1238B12W3-63	★▲	12	6.0~13.8	191.40	21.90	58.10	4,000	2,000	24.00	B,S	②
FD1238B12W5-63	★▲	12	6.0~13.8	229.40	34.90	64.00	5,000	3,600	43.20	B,S	③
FD1238B24W2-63	★▲	24	12.0~27.6	141.90	12.10	51.20	3,000	600	14.40	B,S	①
FD1238B24W3-63	★▲	24	12.0~27.6	191.40	21.90	58.10	4,000	1,100	26.40	B,S	②
FD1238B24W5-63	★▲	24	12.0~27.6	229.40	34.90	64.00	5,000	1,700	40.80	B,S	③
FD1238B48W2-63	★▲	48	24.0~55.2	141.90	12.10	51.20	3,000	330	15.84	B,S	①
FD1238B48W3-63	★▲	48	24.0~55.2	191.40	21.90	58.10	4,000	380	18.24	B,S	②
FD1238B48W5-63	★▲	48	24.0~55.2	229.40	34.90	64.00	5,000	850	40.80	B,S	③
FD1238B48W7-63	★▲	48	24.0~55.2	287.20	47.60	69.00	6,000	1,300	62.40	B,S	④

- For "Sleeve" bearing version, change the "B" in the model number to "S".
- If model depicts "★", auto restart protection function built in.
- If model depicts "▲", polarity protection function built in.

Specifications are subject to change without notice



unit: mm

DC AXIAL FAN 120x120x38mm

(High Performance Fan Series)



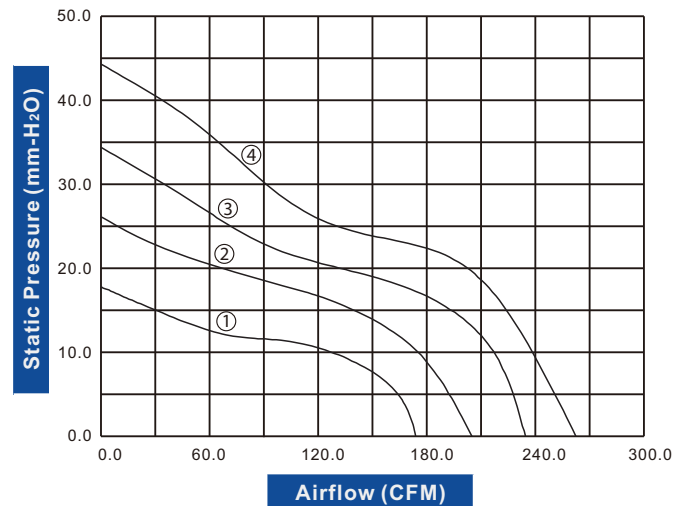
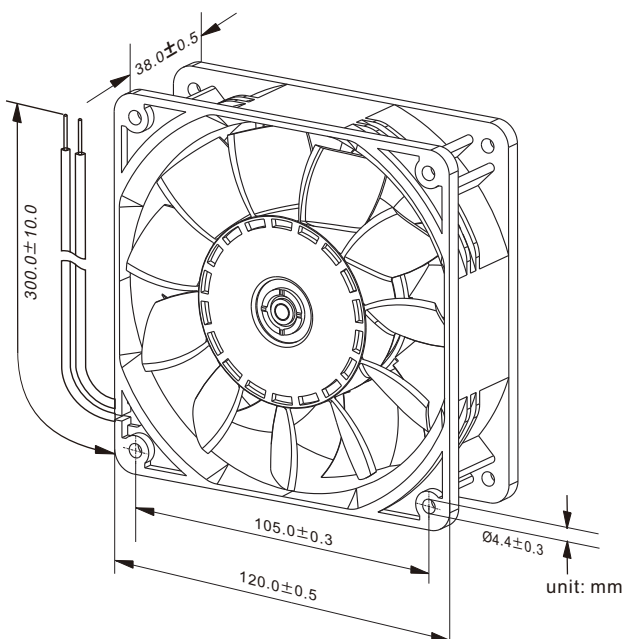
Housing/Blade: Thermoplastic PBT, UL 94V-0
 Insulation Resistance: 10MΩ, 500VDC/min between bare wire and frame
 Dielectric Strength: 5mA max. 500VAC/min between bare wire and frame
 Operation Temperature: -10°C~70°C(Humidity 5%-90%RH)
 Storage Temperature: -40°C~80°C(Humidity 5%-95%RH)
 Lead Wire: UL Type #22 AWG
 Weight: 450 g Packing: 40PCS/CTN

- High Airflow
- Extremely High Static Pressure

Model Number	Voltage (VDC)	Op.Voltage (VDC)	AirFlow (CFM)	StaticPres. (mm-H ₂ O)	Noise (dBA)	Speed (RPM)	Current (mA)	Power (W)	Available Bearing	Curves
FD1238B12W3-87C ★▲	12	7.0~13.2	174.00	18.00	59.10	4,000	2,000	24.00	B	①
FD1238B12W5-87C ★▲	12	7.0~13.2	209.40	26.60	64.00	4,800	2,500	30.00	B	②
FD1238B12W7-87C ★▲	12	7.0~13.2	238.20	34.80	68.00	5,500	3,880	46.56	B	③
FD1238B24W3-87C ★▲	24	14.0~26.4	174.00	18.00	59.10	4,000	1,300	31.20	B	①
FD1238B24W5-87C ★▲	24	14.0~26.4	209.40	26.60	64.00	4,800	1,800	43.20	B	②
FD1238B24W7-87C ★▲	24	14.0~26.4	238.20	34.80	68.00	5,500	2,500	60.00	B	③
FD1238B24W9-87C ★▲	24	14.0~26.4	269.80	44.90	70.90	6,200	2,720	65.28	B	④
FD1238B48W3-87C ★▲	48	28.0~56.0	174.00	18.00	59.10	4,000	600	28.80	B	①
FD1238B48W5-87C ★▲	48	28.0~56.0	209.40	26.60	64.00	4,800	900	43.20	B	②
FD1238B48W7-87C ★▲	48	28.0~56.0	238.20	34.80	68.00	5,500	1,200	57.60	B	③
FD1238B48W9-87C ★▲	48	28.0~56.0	269.80	44.90	70.90	6,200	1,300	62.40	B	④

- If model depicts "★", auto restart protection function built in.
- If model depicts "▲", polarity protection function built in.

Specifications are subject to change without notice



DC AXIAL FAN 120x120x38mm

(High Performance Fan Series)



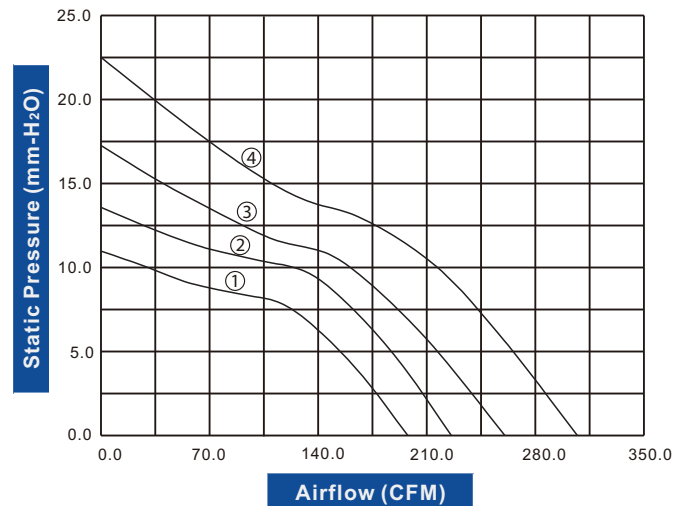
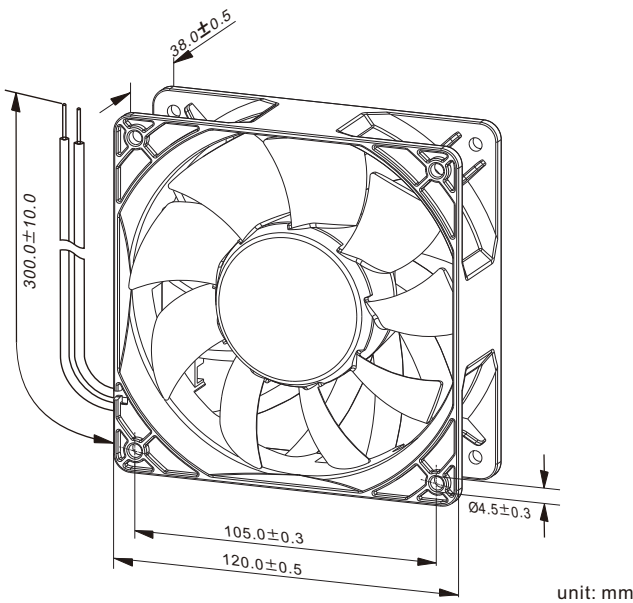
Housing/Blade: Thermoplastic PBT, UL 94V-0
 Insulation Resistance: 10MΩ, 500VDC/min between bare wire and frame
 Dielectric Strength: 5mA max. 500VAC/min between bare wire and frame
 Operation Temperature: -10°C~70°C(Humidity 15%-65%RH)
 Storage Temperature: -20°C~85°C(Humidity 15%-65%RH)
 Lead Wire: UL Type #24 AWG
 Weight: 292 g Packing: 40PCS/CTN

- High Airflow
- Extremely High Static Pressure

Model Number		Voltage (VDC)	Op.Voltage (VDC)	AirFlow (CFM)	StaticPres. (mm-H ₂ O)	Noise (dBA)	Speed (RPM)	Current (mA)	Power (W)	Available Bearing	Curves
FD1238B12W3-88	★▲	12	6.0~13.8	196.60	11.80	59.00	3,500	1,900	22.80	B	①
FD1238B12W5-88	★▲	12	6.0~13.8	226.70	13.40	64.60	4,000	2,500	30.00	B	②
FD1238B12W7-88	★▲	12	6.0~13.8	262.30	17.30	66.20	4,500	3,000	36.00	B	③
FD1238B24W3-88	★▲	24	15.0~30.0	196.60	11.80	59.00	3,500	1,200	28.80	B	①
FD1238B24W5-88	★▲	24	15.0~30.0	262.30	17.30	66.20	4,500	1,800	43.20	B	③
FD1238B24W7-88	★▲	24	15.0~30.0	303.10	22.50	69.00	5,500	2,800	67.20	B	④
FD1238B48W3-88	★▲	48	25.0~60.0	196.60	11.80	59.00	3,500	700	33.60	B	①
FD1238B48W5-88	★▲	48	25.0~60.0	262.30	17.30	66.20	4,500	1,000	48.00	B	③
FD1238B48W7-88	★▲	48	25.0~60.0	303.10	22.50	69.00	5,500	1,300	62.40	B	④

- If model depicts "★", auto restart protection function built in.
- If model depicts "▲", polarity protection function built in.

Specifications are subject to change without notice



DC AXIAL FAN 140x140x25mm

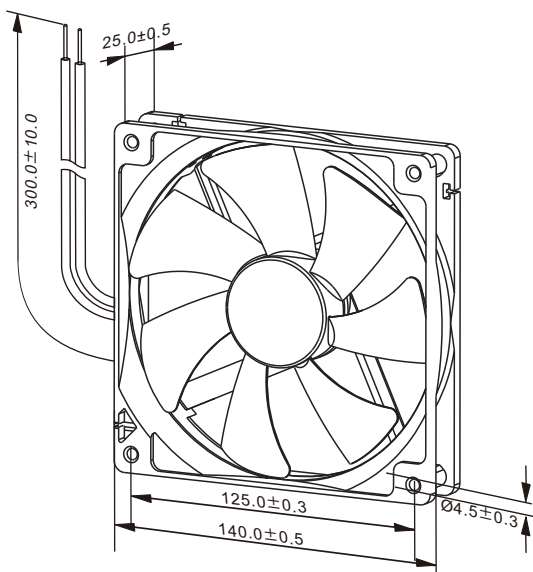


Housing/Blade: Thermoplastic PBT, UL 94V-0
 Insulation Resistance: 10MΩ, 500VDC/min between bare wire and frame
 Dielectric Strength: 5mA max. 500VAC/min between bare wire and frame
 Operation Temperature: -10°C~70°C(Humidity 15%-65%RH)
 Storage Temperature: -20°C~85°C(Humidity 15%-65%RH)
 Lead Wire: UL Type #24 AWG
 Weight: 168.5 g Packing: 60PCS/CTN

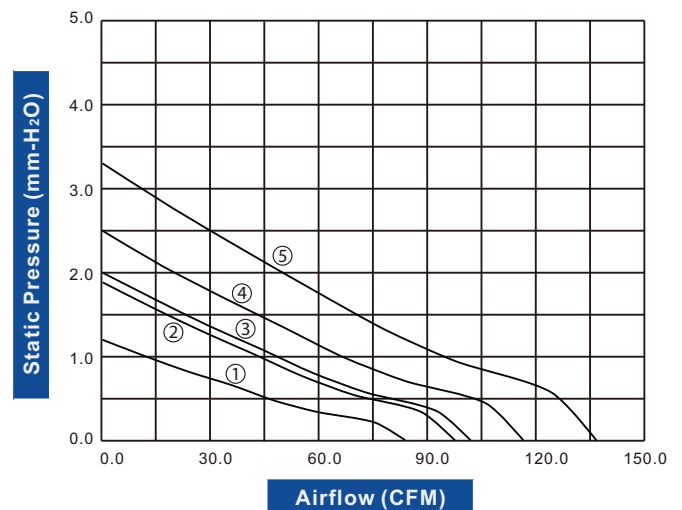
Model Number	Voltage (VDC)	Op.Voltage (VDC)	AirFlow (CFM)	StaticPres. (mm-H ₂ O)	Noise (dBA)	Speed (RPM)	Current (mA)	Power (W)	Available Bearing	Curves
FD1425B12W5-88	12	4.0~13.8	79.70	1.20	27.20	1,300	300	3.60	B,L,S,F	①
FD1425B12W7-88	★▲ 12	4.0~13.8	98.20	1.90	28.90	1,500	400	4.80	B,L,S,F	②
FD1425B12W9-88	★▲ 12	4.0~13.8	101.70	2.00	31.00	1,700	500	6.00	B,L,S,F	③
FD1425B12W11-88	★▲ 12	4.0~13.8	115.70	2.50	33.50	1,900	600	7.20	B,L,S,F	④
FD1425B12W11-88A	★▲ 12	4.0~13.8	136.00	3.30	36.40	2,200	600	7.20	B,L,S,F	⑤

- For "Long Life", "Sleeve" or "Fluid Lubricant" bearing versions, change the "B" in the model number to "L", "S" or "F" respectively.
- If model depicts "★", auto restart protection function built in.
- If model depicts "▲", polarity protection function built in.

Specifications are subject to change without notice



unit: mm



DC AXIAL FAN 172x150x51mm (Metal Housing)



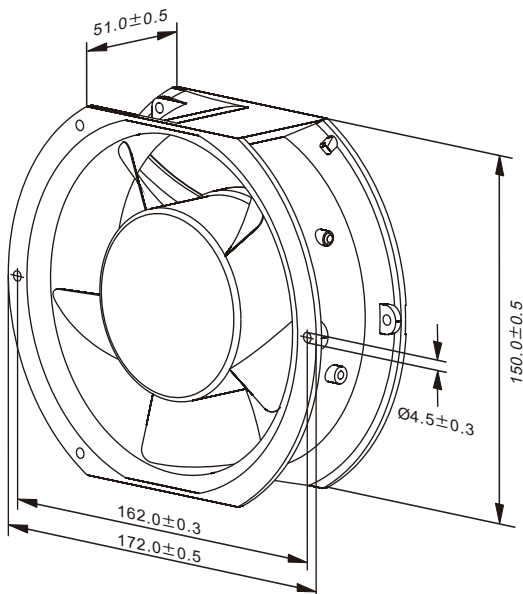
Housing: Die-Cast Aluminum
Blade: Thermoplastic PBT, UL 94V-0
Insulation Resistance: 10M Ω , 500VDC/min between bare wire and frame
Dielectric Strength: 5mA max, 500VAC/min between bare wire and frame
Operation Temperature: -20°C~70°C(Humidity 15%-90%RH)
Storage Temperature: -40°C~85°C(Humidity 15%-90%RH)
Lead Wire: UL Type #22 AWG
Weight: 792 g **Packing:** 20PCS/CTN



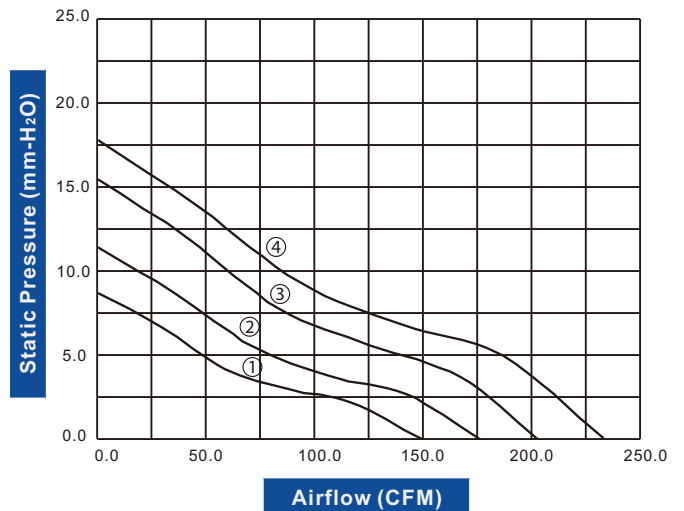
Model Number		Voltage (VDC)	Op.Voltage (VDC)	AirFlow (CFM)	StaticPres. (mm-H ₂ O)	Noise (dBA)	Speed (RPM)	Current (mA)	Power (W)	Available Bearing	Curves
FD1751B12W3-52	★▲	12	10.0~13.8	150.00	8.60	46.00	2,200	600	7.20	B	①
FD1751B12W5-52	★▲	12	10.0~13.8	174.00	11.20	52.00	2,600	860	10.32	B	②
FD1751B12W7-52	★▲	12	10.0~13.8	206.00	15.40	56.00	3,000	1,400	16.80	B	③
FD1751B12W9-52	★▲	12	10.0~13.8	228.00	17.90	58.00	3,400	1,900	22.80	B	④
FD1751B24W3-52	★▲	24	20.0~28.0	150.00	8.60	46.00	2,200	300	7.20	B	①
FD1751B24W5-52	★▲	24	20.0~28.0	174.00	11.20	52.00	2,600	430	10.32	B	②
FD1751B24W7-52	★▲	24	20.0~28.0	206.00	15.40	56.00	3,000	650	15.60	B	③
FD1751B24W9-52	★▲	24	20.0~28.0	228.00	17.90	58.00	3,400	900	21.60	B	④
FD1751B48W3-52	★▲	48	25.0~52.0	150.00	8.60	46.00	2,200	190	9.12	B	①
FD1751B48W5-52	★▲	48	25.0~52.0	174.00	11.20	52.00	2,600	280	13.44	B	②
FD1751B48W7-52	★▲	48	25.0~52.0	206.00	15.40	56.00	3,000	400	19.20	B	③
FD1751B48W9-52	★▲	48	25.0~52.0	228.00	17.90	58.00	3,400	520	24.96	B	④

- If model depicts "★", auto restart protection function built in.
- If model depicts "▲", polarity protection function built in.

Specifications are subject to change without notice



unit: mm



DC AXIAL FAN 172x150x51mm (Metal Housing)



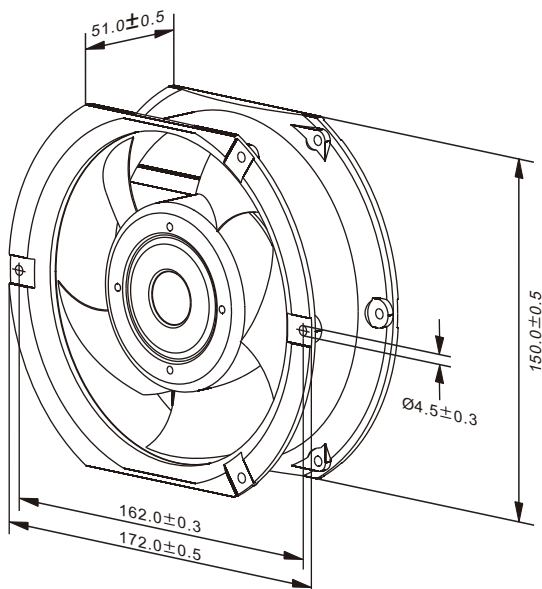
Housing: Die-cast Aluminum
Blade: Thermoplastic PBT, UL 94V-2
Insulation Resistance: 10MΩ, 500VDC/min between bare wire and frame
Dielectric Strength: 5mA max. 500VAC/min between bare wire and frame
Operation Temperature: -10°C~70°C(Humidity 35%-85%RH)
Storage Temperature: -40°C~70°C(Humidity 35%-85%RH)
Lead Wire: UL Type #22 AWG
Weight: 735 g **Packing:** 16PCS/CTN



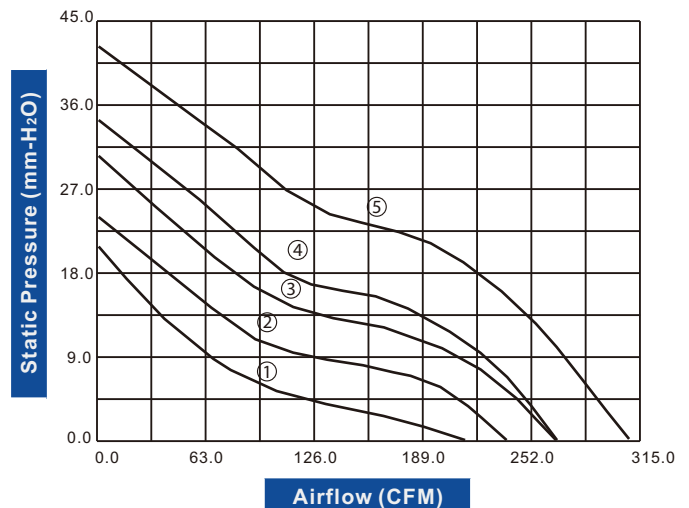
Model Number	Voltage (VDC)	Op.Voltage (VDC)	AirFlow (CFM)	StaticPres. (mm-H ₂ O)	Noise (dBA)	Speed (RPM)	Current (mA)	Power (W)	Available Bearing	Curves
FD1751B12W1-61	★▲ 12	9.0~13.8	215.00	20.30	55.20	3,100	1,300	15.60	B	①
FD1751B12W3-61	★▲ 12	9.0~13.8	235.40	23.60	58.10	3,400	1,800	21.60	B	②
FD1751B12W5-61	★▲ 12	9.0~13.8	264.60	29.40	61.10	3,800	2,600	31.20	B	③
FD1751B24W1-61	★▲ 24	15.0~27.6	215.00	20.30	55.20	3,100	500	12.00	B	①
FD1751B24W3-61	★▲ 24	15.0~27.6	235.40	23.60	58.10	3,400	700	16.80	B	②
FD1751B24W5-61	★▲ 24	15.0~27.6	264.60	29.40	61.10	3,800	1,200	28.80	B	③
FD1751B24W7-61	★▲ 24	15.0~27.6	276.70	32.00	63.00	4,000	1,400	33.60	B	④
FD1751B24W9-61	★▲ 24	15.0~27.6	311.00	40.50	65.00	4,500	2,000	48.00	B	⑤
FD1751B48W1-61	★▲ 48	24.0~55.2	215.00	20.30	55.20	3,100	300	14.40	B	①
FD1751B48W3-61	★▲ 48	24.0~55.2	235.40	23.60	58.10	3,400	380	18.24	B	②
FD1751B48W5-61	★▲ 48	24.0~55.2	264.60	29.40	61.10	3,800	500	24.00	B	③
FD1751B48W7-61	★▲ 48	24.0~55.2	276.70	32.00	63.00	4,000	700	33.60	B	④
FD1751B48W9-61	★▲ 48	24.0~55.2	311.00	40.50	65.00	4,500	900	43.20	B	⑤

- If model depicts "★", auto restart protection function built in.
- If model depicts "▲", polarity protection function built in.

Specifications are subject to change without notice



unit: mm



DC AXIAL FAN
Ø 172x51mm
(Metal Housing)



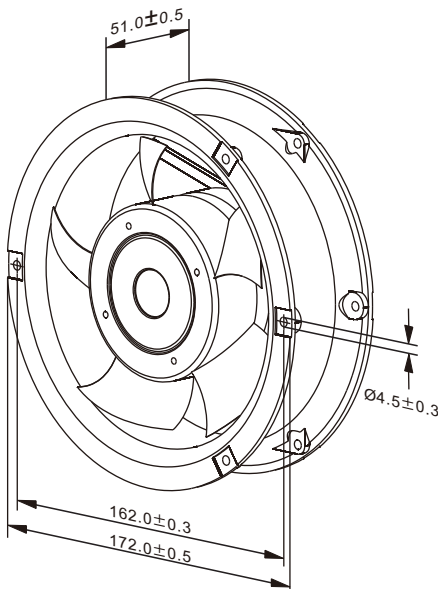
Housing: Die-cast Aluminum
Blade: Thermoplastic PBT, UL 94V-2
Insulation Resistance: 10M Ω , 500VDC/min between bare wire and frame
Dielectric Strength: 5mA max. 500VAC/min between bare wire and frame
Operation Temperature: -10°C~70°C(Humidity 35%-85%RH)
Storage Temperature: -40°C~70°C(Humidity 35%-85%RH)
Lead Wire: UL Type #22 AWG
Weight: 830 g **Packing:** 20PCS/CTN



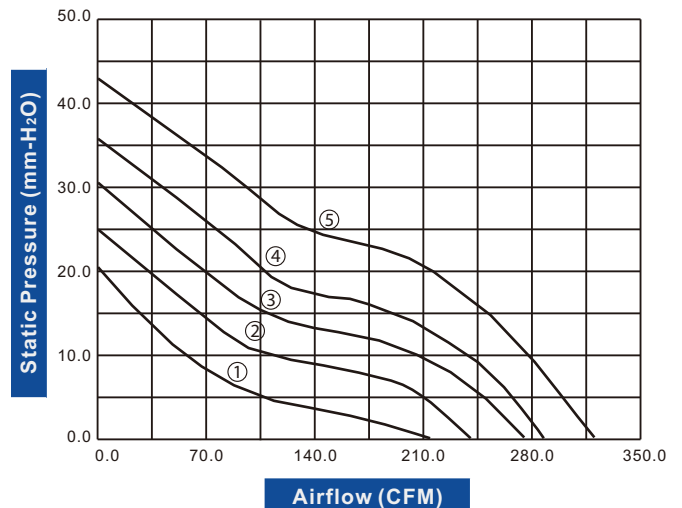
Model Number	Voltage (VDC)	Op.Voltage (VDC)	AirFlow (CFM)	StaticPres. (mm-H ₂ O)	Noise (dBA)	Speed (RPM)	Current (mA)	Power (W)	Available Bearing	Curves
FD1751B12W1-65	★▲ 12	9.0~13.8	215.00	20.10	53.20	3,100	1,300	15.60	B	①
FD1751B12W3-65	★▲ 12	9.0~13.8	238.50	24.80	55.20	3,400	1,800	21.60	B	②
FD1751B12W5-65	★▲ 12	9.0~13.8	271.70	30.70	58.10	3,800	2,600	31.20	B	③
FD1751B24W1-65	★▲ 24	15.0~27.6	215.00	20.10	53.20	3,100	500	12.00	B	①
FD1751B24W3-65	★▲ 24	15.0~27.6	238.50	24.80	55.20	3,400	700	16.80	B	②
FD1751B24W5-65	★▲ 24	15.0~27.6	271.70	30.70	58.10	3,800	1,200	28.80	B	③
FD1751B24W7-65	★▲ 24	15.0~27.6	289.30	35.30	60.10	4,000	1,400	33.60	B	④
FD1751B24W9-65	★▲ 24	15.0~27.6	321.70	42.80	62.10	4,500	2,000	48.00	B	⑤
FD1751B48W1-65	★▲ 48	24.0~55.2	215.00	20.10	53.20	3,100	300	14.40	B	①
FD1751B48W3-65	★▲ 48	24.0~55.2	238.50	24.80	55.20	3,400	380	18.24	B	②
FD1751B48W5-65	★▲ 48	24.0~55.2	271.70	30.70	58.10	3,800	500	24.00	B	③
FD1751B48W7-65	★▲ 48	24.0~55.2	289.30	35.30	60.10	4,000	700	33.60	B	④
FD1751B48W9-65	★▲ 48	24.0~55.2	321.70	42.80	62.10	4,500	900	43.20	B	⑤

- If model depicts "★", auto restart protection function built in.
- If model depicts "▲", polarity protection function built in.

Specifications are subject to change without notice



unit: mm



DC AXIAL FAN
172x151x55mm
(Metal Housing)



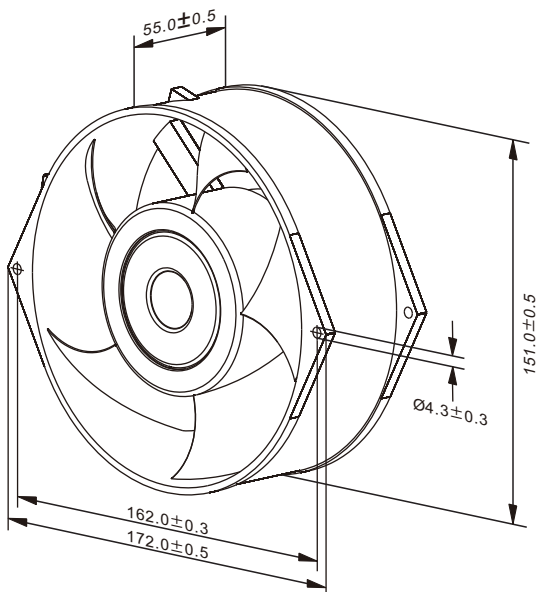
Housing: Die-cast Aluminum
 Blade: Thermoplastic PBT, UL 94V-2
 Insulation Resistance: 10MΩ, 500VDC/min between bare wire and frame
 Dielectric Strength: 5mA max. 500VAC/min between bare wire and frame
 Operation Temperature: -10°C~70°C(Humidity 35%-85%RH)
 Storage Temperature: -40°C~70°C(Humidity 35%-85%RH)
 Lead Wire: UL Type #22 AWG
 Weight: 765 g Packing: 15PCS/CTN



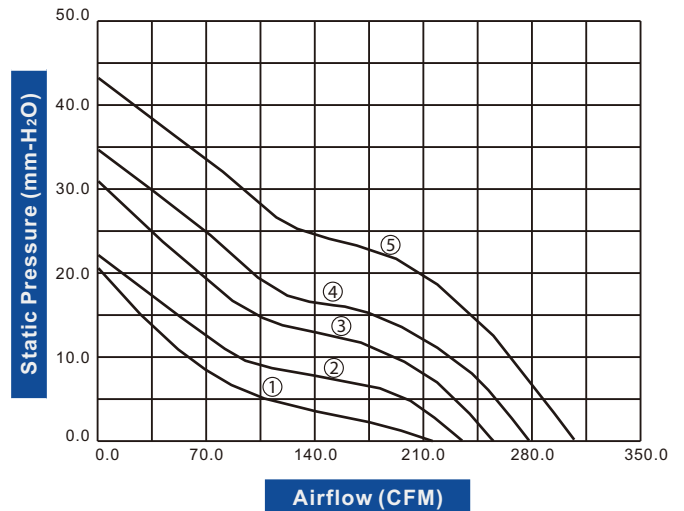
Model Number		Voltage (VDC)	Op.Voltage (VDC)	AirFlow (CFM)	StaticPres. (mm-H ₂ O)	Noise (dBA)	Speed (RPM)	Current (mA)	Power (W)	Available Bearing	Curves
FD1755B12W1-61	★▲	12	9.0~13.8	212.50	20.50	53.20	3,100	1,300	15.60	B	①
FD1755B12W3-61	★▲	12	9.0~13.8	229.20	21.40	57.10	3,400	1,800	21.60	B	②
FD1755B12W5-61	★▲	12	9.0~13.8	259.60	31.20	59.10	3,800	2,600	31.20	B	③
FD1755B24W1-61	★▲	24	15.0~27.6	212.50	20.50	53.20	3,100	500	12.00	B	①
FD1755B24W3-61	★▲	24	15.0~27.6	229.20	21.40	57.10	3,400	700	16.80	B	②
FD1755B24W5-61	★▲	24	15.0~27.6	259.60	31.20	59.10	3,800	1,200	28.80	B	③
FD1755B24W7-61	★▲	24	15.0~27.6	274.10	34.70	61.10	4,000	1,400	33.60	B	④
FD1755B24W9-61	★▲	24	15.0~27.6	306.10	43.20	64.00	4,500	2,000	48.00	B	⑤
FD1755B48W1-61	★▲	48	24.0~55.2	212.50	20.50	53.20	3,100	300	14.40	B	①
FD1755B48W3-61	★▲	48	24.0~55.2	229.20	21.40	57.10	3,400	380	18.24	B	②
FD1755B48W5-61	★▲	48	24.0~55.2	259.60	31.20	59.10	3,800	500	24.00	B	③
FD1755B48W7-61	★▲	48	24.0~55.2	274.10	34.70	61.10	4,000	700	33.60	B	④
FD1755B48W9-61	★▲	48	24.0~55.2	306.10	43.20	64.00	4,500	900	43.20	B	⑤

- If model depicts "★", auto restart protection function built in.
- If model depicts "▲", polarity protection function built in.

Specifications are subject to change without notice



unit: mm



DC Axial Compact Fan Ø280x80mm

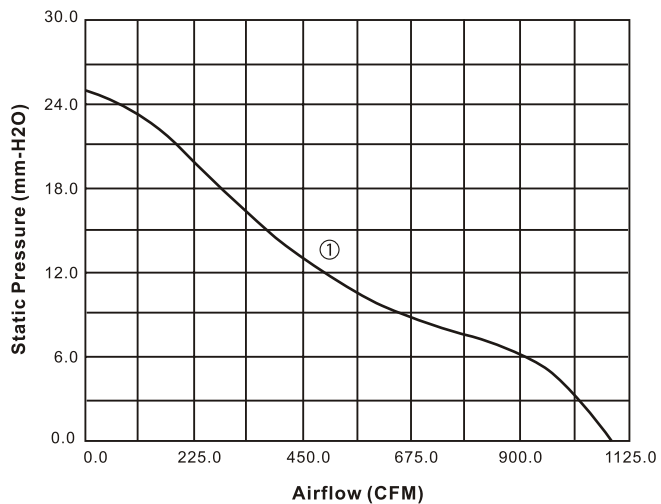


Impeller:	Plastic PA6.6+GF
Motor:	DC Brushless External Rotor Motor
Rotor:	Original Aluminum Sheet Color
Bearing:	Dual Ball Bearing
Insulation:	Class "A" or "B"
Technical Features:	PWM Speed Control; Alarm Output; Locked Rotor Protection; Soft Start.
Operating Temp.:	-20°C to +60°C
Weight:	2500 g

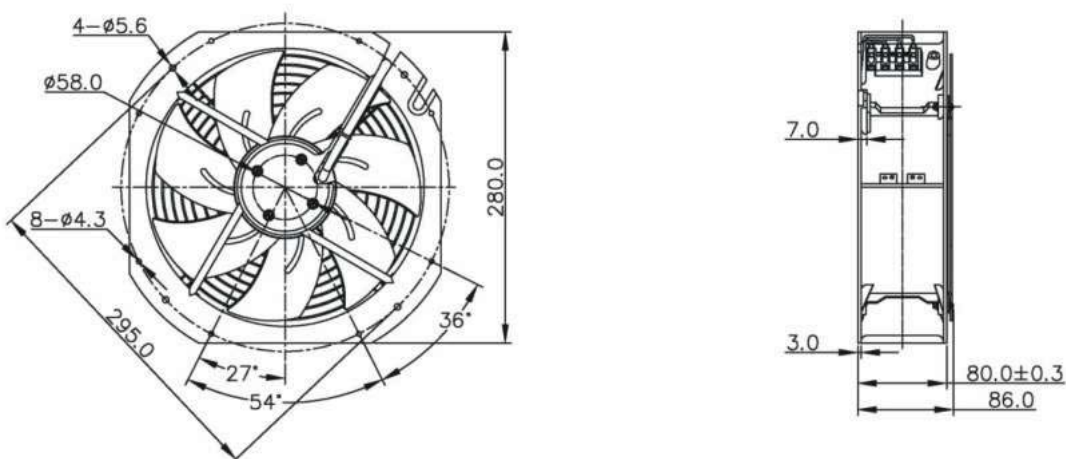
Model Number	Voltage (VDC)	Op.Voltage (VDC)	AirFlow (CFM)	AirFlow (m ³ /H)	StaticPres. (mm-H ₂ O)	StaticPres. (inH ₂ O)	Noise (dBA)	Speed (RPM)	Current (A)	Power (W)	Curves
FD28080B24W7-57	24	16.0~28.0	1099.70	1868.30	25.10	1.00	67.70	2,600	4.8	115.20	①
FD28080B48W7-57	48	36.0~56.0	1099.70	1868.30	25.10	1.00	67.70	2,600	2.4	115.20	①

Specifications are subject to change without notice

Characteristic Curves:



Outline Drawing:



unit: mm

DC BLOWER 53x50x10mm

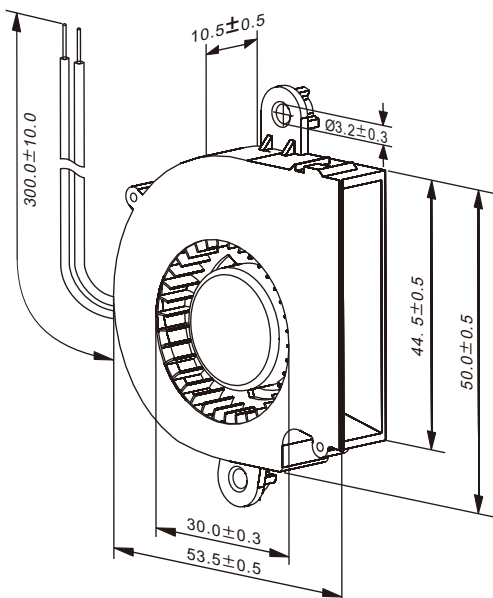


Housing/Blade: Thermoplastic PBT, UL 94V-0
 Insulation Resistance: 10MΩ, 500VDC/min between bare wire and frame
 Dielectric Strength: 5mA max. 500VAC/min between bare wire and frame
 Operation Temperature: -10°C~70°C(Humidity 35%-85%RH)
 Storage Temperature: -40°C~70°C(Humidity 35%-85%RH)
 Lead Wire: UL Type #30 AWG
 Weight: 21 g Packing: 300PCS/CTN

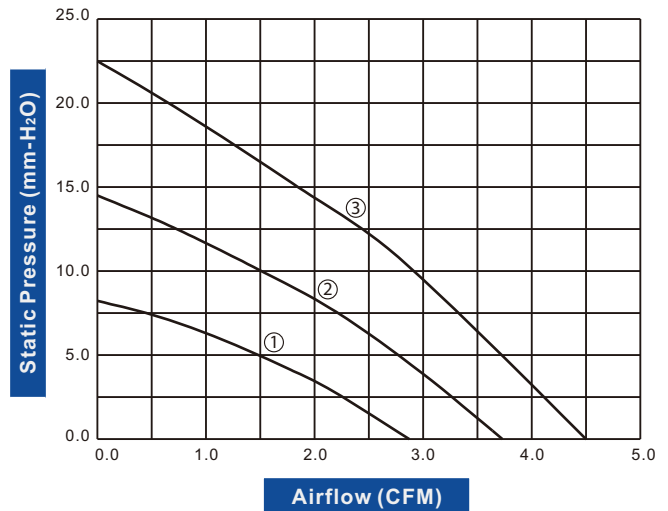
Model Number	Voltage (VDC)	Op.Voltage (VDC)	AirFlow (CFM)	StaticPres. (mm-H ₂ O)	Noise (dBA)	Speed (RPM)	Current (mA)	Power (W)	Available Bearing	Curves
FBD5010B12W3-61	★▲ 12	8.00~13.80	2.80	8.00	25.60	4,000	100	1.20	B	①
FBD5010B12W5-61	★▲ 12	6.00~13.80	3.70	14.10	31.50	5,000	170	2.04	B	②
FBD5010B12W7-61	★▲ 12	6.00~13.80	4.50	22.60	37.40	6,000	250	3.00	B	③

- If model depicts "★", auto restart protection function built in.
- If model depicts "▲", polarity protection function built in.

Specifications are subject to change without notice



unit: mm



DC BLOWER 51x51x15mm



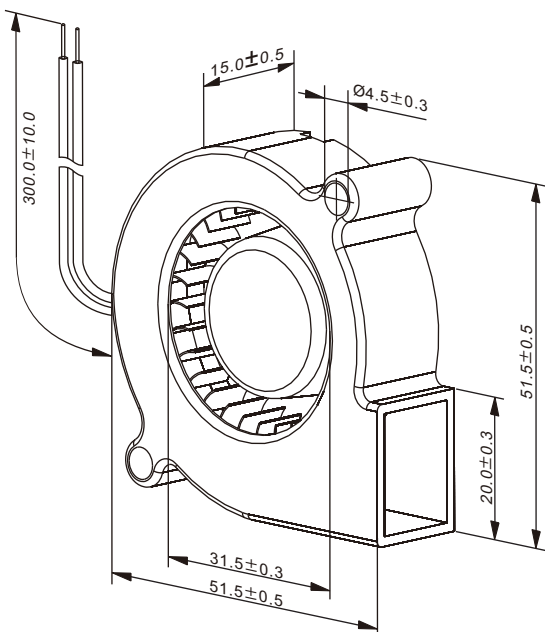
Housing/Blade: Thermoplastic PBT, UL 94V-0
 Insulation Resistance: 10MΩ, 500VDC/min between bare wire and frame
 Dielectric Strength: 5mA max. 500VAC/min between bare wire and frame
 Operation Temperature: -10°C~70°C(Humidity 35%-85%RH)
 Storage Temperature: -40°C~70°C(Humidity 35%-85%RH)
 Lead Wire: UL Type #28 AWG
 Weight: 26 g Packing: 200PCS/CTN



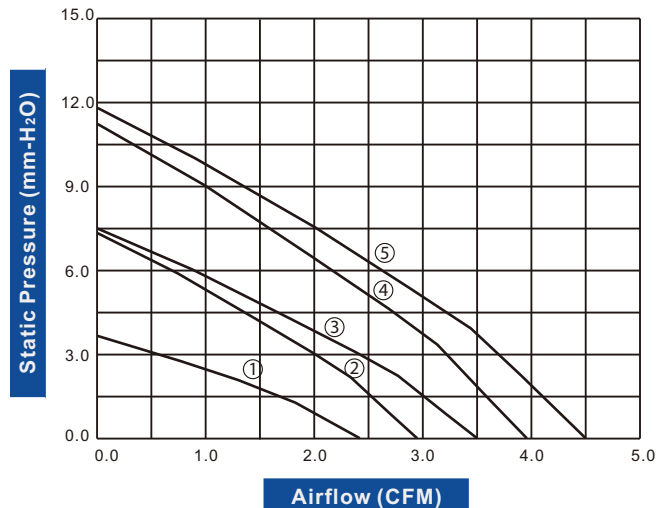
Model Number	Voltage (VDC)	Op.Voltage (VDC)	AirFlow (CFM)	StaticPres. (mm-H ₂ O)	Noise (dBA)	Speed (RPM)	Current (mA)	Power (W)	Available Bearing	Curves	
FBD5015B05W3-61	▲	5	3.5~5.75	2.40	3.60	25.60	3,000	120	0.60	B,S	①
FBD5015B05W5-61	▲	5	3.5~5.75	3.50	7.50	34.50	4,000	200	1.00	B,S	③
FBD5015B05W7-61	★▲	5	3.5~5.75	3.90	11.50	36.40	4,500	310	1.55	B,S	④
FBD5015B12W3-61	▲	12	8.0~13.8	2.40	3.60	25.60	3,000	50	0.60	B,S	①
FBD5015B12W5-61	▲	12	6.0~13.8	3.50	7.50	34.50	4,000	80	0.96	B,S	③
FBD5015B12W7-61	★▲	12	6.0~13.8	4.50	11.70	40.40	5,000	130	1.56	B,S	⑤
FBD5015B24W3-61	▲	24	12.0~27.6	2.90	7.40	29.60	3,500	40	0.96	B,S	②
FBD5015B24W5-61	▲	24	12.0~27.6	3.50	7.50	34.50	4,000	50	1.20	B,S	③
FBD5015B24W7-61	★▲	24	12.0~27.6	4.50	11.70	40.40	5,000	100	2.40	B,S	⑤

- For "Sleeve" bearing version, change the "B" in the model number to, "S".
- If model depicts "★", auto restart protection function built in.
- If model depicts "▲", polarity protection function built in.

Specifications are subject to change without notice



unit: mm



DC BLOWER 51x51x25mm



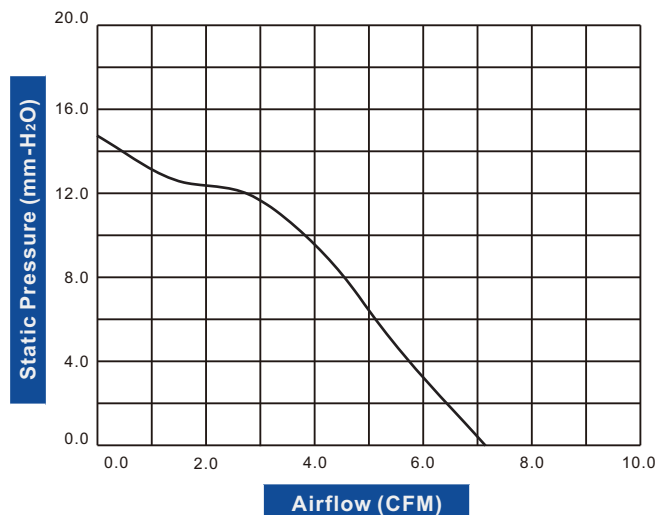
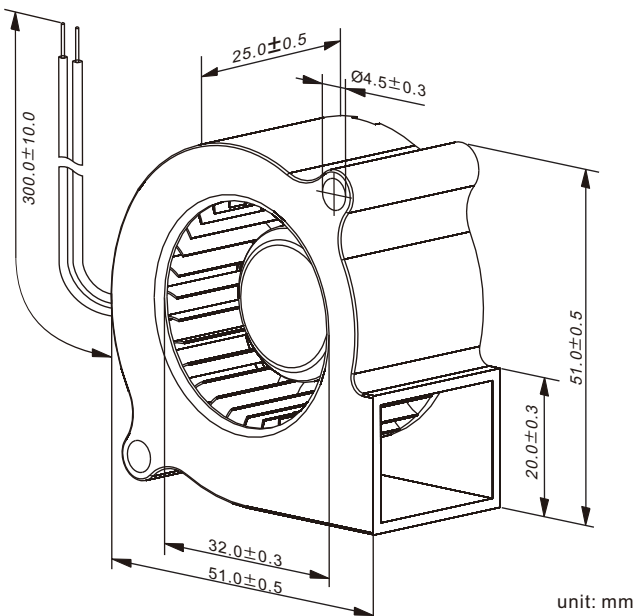
Housing/Blade: Thermoplastic PBT, UL 94V-0
 Insulation Resistance: 10MΩ, 500VDC/min between bare wire and frame
 Dielectric Strength: 5mA max. 500VAC/min between bare wire and frame
 Operation Temperature: -20°C~70°C(Humidity 15%-90%RH)
 Storage Temperature: -40°C~85°C(Humidity 15%-90%RH)
 Lead Wire: UL Type #28 AWG
 Weight: 38 g Packing: 200PCS/CTN



Model Number	Voltage (VDC)	Op.Voltage (VDC)	Air Flow (CFM)	Static Pres. (mm-H ₂ O)	Noise (dBA)	Speed (RPM)	Current (mA)	Power (W)	Available Bearing	Curves
FBD5025S12W5-61	★▲ 12	6.0~13.8	7.10	14.70	36.90	4,800	260	3.12	S	①

- If model depicts "★", auto restart protection function built in.
- If model depicts "▲", polarity protection function built in.

Specifications are subject to change without notice



DC BLOWER 57x57x12mm

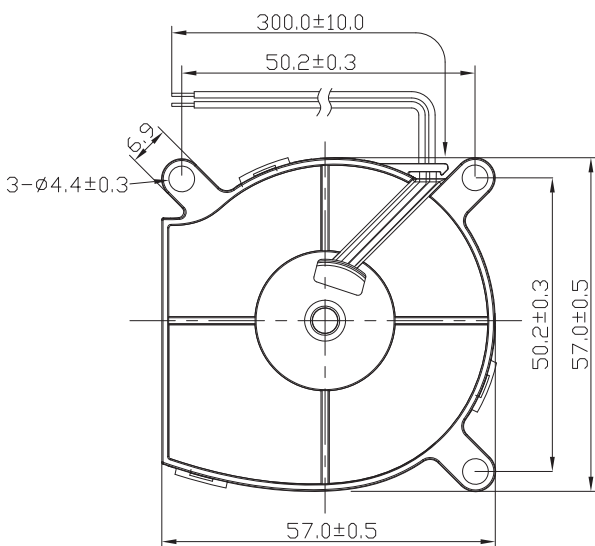


Housing/Blade: Thermoplastic PBT, UL 94V-0
 Insulation Resistance: 10M Ω , 500VDC/min between bare wire and frame
 Dielectric Strength: 5mA max. 500VAC/min between bare wire and frame
 Operation Temperature: -10°C-70°C(Humidity 35%-85%RH)
 Storage Temperature: -10°C-70°C(Humidity 35%-85%RH)
 Lead Wire: UL Type #28 AWG
 Weight: 24.65 g Packing : 300PCS/CTN

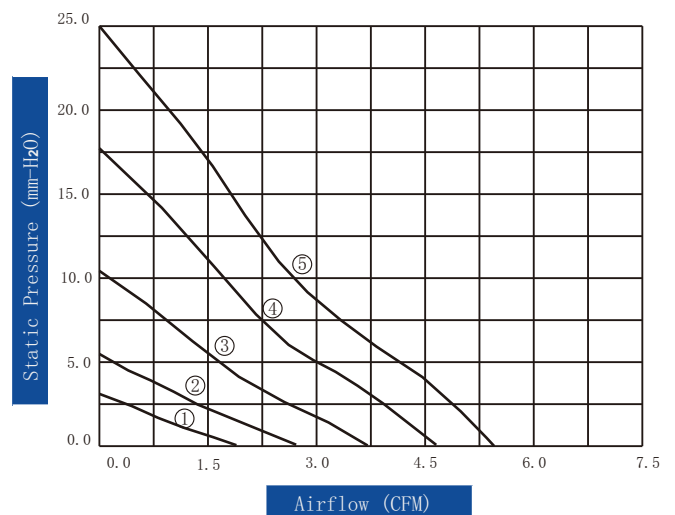
Model Number	Voltage (VDC)	Op. Voltage (VDC)	Air Flow (CFM)	Static Pres. (mm-H ₂ O)	Noise (dBA)	Speed (RPM)	Current (mA)	Power (W)	Available Bearing	Curves
FBD5712B05W3-75	★ ▲ 5	4.5~5.5	2.00	3.00	10.60	2,500	80	0.40	B	①
FBD5712B05W5-75	★ ▲ 5	4.0~5.5	2.80	6.00	23.50	3,500	150	0.75	B	②
FBD5712B05W7-75	★ ▲ 5	4.0~5.5	3.70	11.00	28.20	4,500	250	1.25	B	③
FBD5712B12W3-75	★ ▲ 12	7.0~13.8	2.80	6.00	23.50	3,500	80	0.96	B	②
FBD5712B12W5-75	★ ▲ 12	7.0~13.8	3.70	11.00	28.20	4,500	120	1.44	B	③
FBD5712B12W7-75	★ ▲ 12	7.0~13.8	4.60	17.80	35.00	5,500	220	2.64	B	④
FBD5712B12W9-75	★ ▲ 12	7.0~13.8	5.40	25.00	39.00	6,500	350	4.20	B	⑤

- If model depicts “★”, auto restart protection function built in.
- If model depicts “▲”, polarity protection function built in.

Specifications are subject to change without notice



unit: mm



DC BLOWER 75x77x30mm



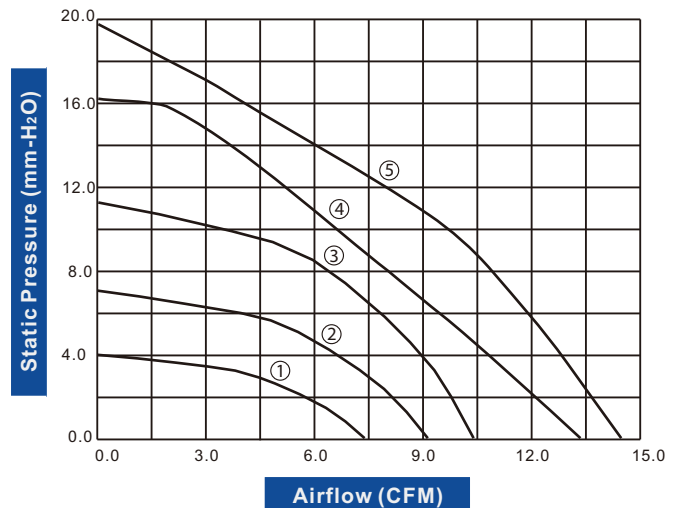
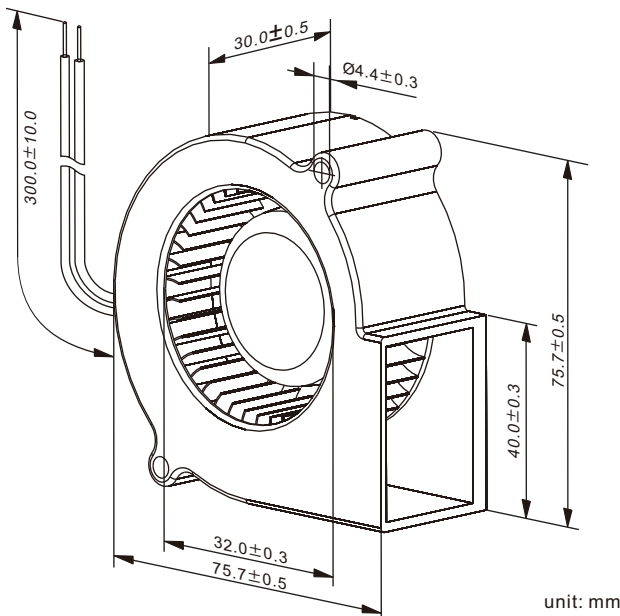
Housing/Blade: Thermoplastic PBT, UL 94V-0
 Insulation Resistance: 10M Ω , 500VDC/min between bare wire and frame
 Dielectric Strength: 5mA max. 500VAC/min between bare wire and frame
 Operation Temperature: -10°C~70°C(Humidity 35%-85%RH)
 Storage Temperature: -40°C~70°C(Humidity 35%-85%RH)
 Lead Wire: UL Type #24 AWG
 Weight: 87 g Packing: 100PCS/CTN



Model Number	Voltage (VDC)	Op.Voltage (VDC)	AirFlow (CFM)	StaticPres. (mm-H ₂ O)	Noise (dBA)	Speed (RPM)	Current (mA)	Power (W)	Available Bearing	Curves
FBD7530B12W3-61	▲ 12	6.0~13.8	7.30	4.00	25.60	2,000	90	1.08	B,S	①
FBD7530B12W5-61	▲ 12	6.0~13.8	9.40	7.10	32.50	2,500	170	2.04	B,S	②
FBD7530B12W7-61	★▲ 12	6.0~13.8	11.30	11.20	37.40	3,000	250	3.00	B,S	③
FBD7530B12W9-61	★★ 12	6.0~13.8	13.30	16.10	42.40	3,500	320	3.84	B,S	④
FBD7530B12W11-61	★★▲ 12	6.0~13.8	14.30	19.70	44.30	3,800	460	5.52	B,S	⑤
FBD7530B24W3-61	▲ 24	12.0~27.6	7.30	4.00	25.60	2,000	80	1.92	B,S	①
FBD7530B24W5-61	▲ 24	12.0~27.6	9.40	7.10	32.50	2,500	100	2.40	B,S	②
FBD7530B24W7-61	★▲ 24	12.0~27.6	11.30	11.20	37.40	3,000	130	3.12	B,S	③
FBD7530B24W9-61	★★ 24	12.0~27.6	13.30	16.10	42.40	3,500	150	3.60	B,S	④
FBD7530B24W11-61	★★▲ 24	12.0~27.6	14.30	19.70	44.30	3,800	230	5.52	B,S	⑤

- For "Sleeve" bearing version, change the "B" in the model number to, "S".
- If model depicts "★", auto restart protection function built in.
- If model depicts "▲", polarity protection function built in.

Specifications are subject to change without notice



DC BLOWER

93x93x30mm



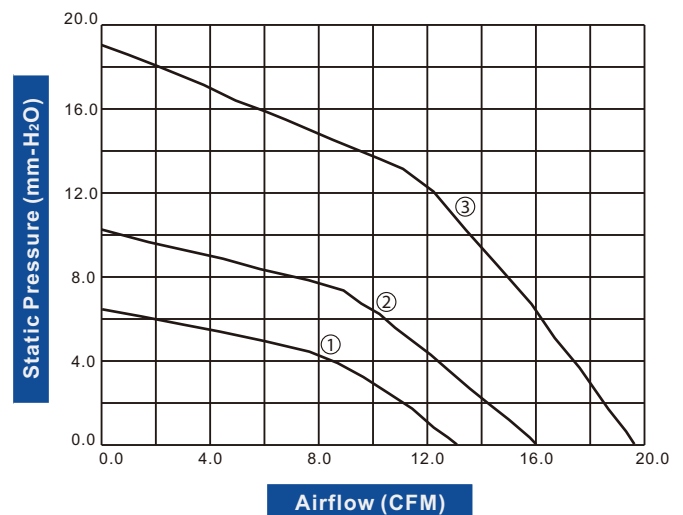
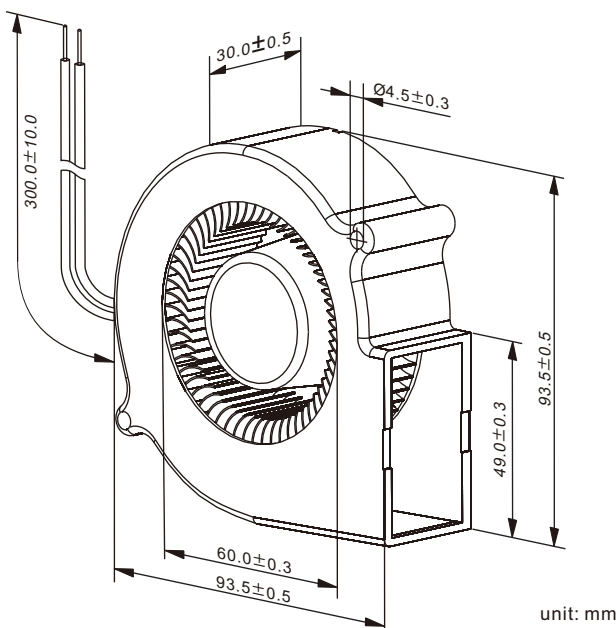
Housing/Blade: Thermoplastic PBT, UL 94V-0
 Insulation Resistance: 10MΩ, 500VDC/min between bare wire and frame
 Dielectric Strength: 5mA max. 500VAC/min between bare wire and frame
 Operation Temperature: -10°C~70°C(Humidity 35%-85%RH)
 Storage Temperature: -40°C~70°C(Humidity 35%-85%RH)
 Lead Wire: UL Type #24 AWG
 Weight: 155 g Packing: 60PCS/CTN



Model Number	Voltage (VDC)	Op.Voltage (VDC)	AirFlow (CFM)	StaticPres. (mm-H ₂ O)	Noise (dBA)	Speed (RPM)	Current (mA)	Power (W)	Available Bearing	Curves
FBD9330B12W1-61	▲ 12	6.0~13.8	13.20	6.40	37.40	2,100	180	2.16	B,S	①
FBD9330B12W3-61	★▲ 12	6.0~13.8	16.00	10.20	41.40	2,500	290	3.48	B,S	②
FBD9330B12W5-61	★▲ 12	6.0~13.8	19.50	19.10	44.30	3,000	490	5.88	B,S	③
FBD9330B24W1-61	▲ 24	12.0~27.6	13.20	6.40	37.40	2,100	80	1.92	B,S	①
FBD9330B24W3-61	★▲ 24	12.0~27.6	16.00	10.20	41.40	2,500	140	3.36	B,S	②
FBD9330B24W5-61	★▲ 24	12.0~27.6	19.50	19.10	44.30	3,000	230	5.52	B,S	③

- For "Sleeve" bearing version, change the "B" in the model number to, "S".
- If model depicts "★", auto restart protection function built in.
- If model depicts "▲", polarity protection function built in.

Specifications are subject to change without notice



DC BLOWER

97x94x33mm



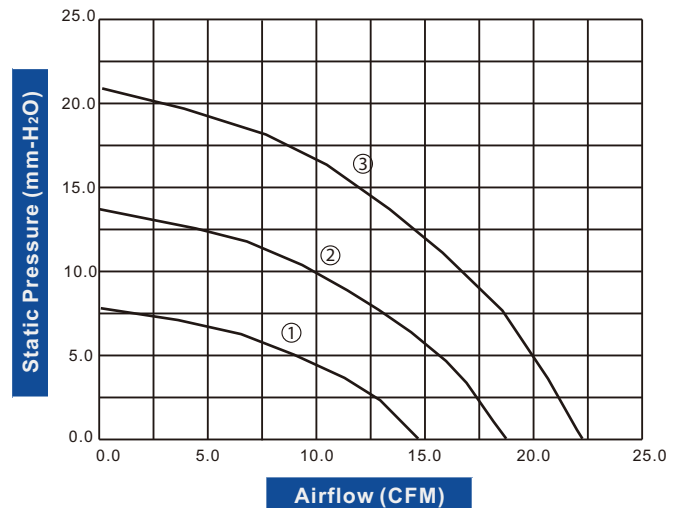
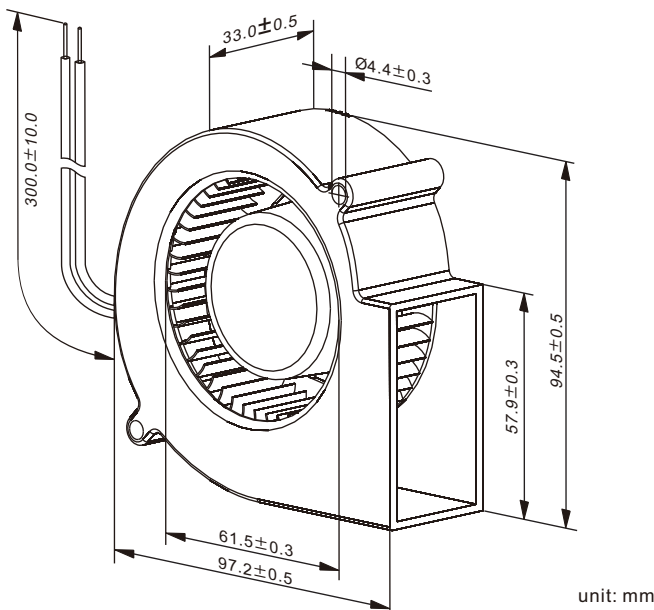
Housing/Blade: Thermoplastic PBT, UL 94V-0
 Insulation Resistance: 10M Ω , 500VDC/min between bare wire and frame
 Dielectric Strength: 5mA max. 500VAC/min between bare wire and frame
 Operation Temperature: -10°C~70°C(Humidity 35%-85%RH)
 Storage Temperature: -40°C~70°C(Humidity 35%-85%RH)
 Lead Wire: UL Type #24 AWG
 Weight: 165 g Packing: 60PCS/CTN



Model Number	Voltage (VDC)	Op.Voltage (VDC)	AirFlow (CFM)	StaticPres. (mm-H ₂ O)	Noise (dBA)	Speed (RPM)	Current (mA)	Power (W)	Available Bearing	Curves
FBD9733B12W3-61	★▲ 12	6.0~13.8	14.20	7.70	39.40	2,200	210	2.52	B,S	①
FBD9733B12W5-61	★▲ 12	6.0~13.8	18.70	13.70	44.30	2,800	420	5.04	B,S	②
FBD9733B12W7-61	★▲ 12	6.0~13.8	22.20	21.10	49.30	3,300	750	9.00	B,S	③
FBD9733B24W3-61	★▲ 24	12.0~27.6	14.20	7.70	39.40	2,200	120	2.88	B,S	①
FBD9733B24W5-61	★▲ 24	12.0~27.6	18.70	13.70	44.30	2,800	200	4.80	B,S	②
FBD9733B24W7-61	★▲ 24	12.0~27.6	22.20	21.10	49.30	3,300	380	9.12	B,S	③
FBD9733B48W3-61	★▲ 48	24.0~55.2	14.20	7.70	39.40	2,200	140	6.72	B,S	①
FBD9733B48W5-61	★▲ 48	24.0~55.2	18.70	13.70	44.30	2,800	180	8.64	B,S	②
FBD9733B48W7-61	★▲ 48	24.0~55.2	22.20	21.10	49.30	3,300	270	12.96	B,S	③

- For "Sleeve" bearing version, change the "B" in the model number to, "S".
- If model depicts "★", auto restart protection function built in.
- If model depicts "▲", polarity protection function built in.

Specifications are subject to change without notice



DC BLOWER 120x120x32mm

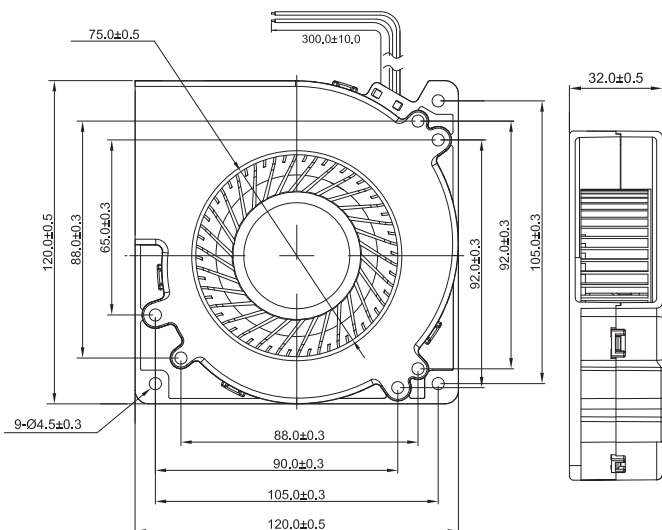


Housing/Blade: Thermoplastic PBT, UL 94V-0
 Insulation Resistance: 10MΩ, 500VDC/min between bare wire and frame
 Dielectric Strength: 5mA max. 500VAC/min between bare wire and frame
 Operation Temperature: -10°C~70°C(Humidity 15%-65%RH)
 Storage Temperature: -20°C~85°C(Humidity 15%-65%RH)
 Lead Wire: UL Type #26AWG
 Weight: 237 g Packing: 40PCS/CTN

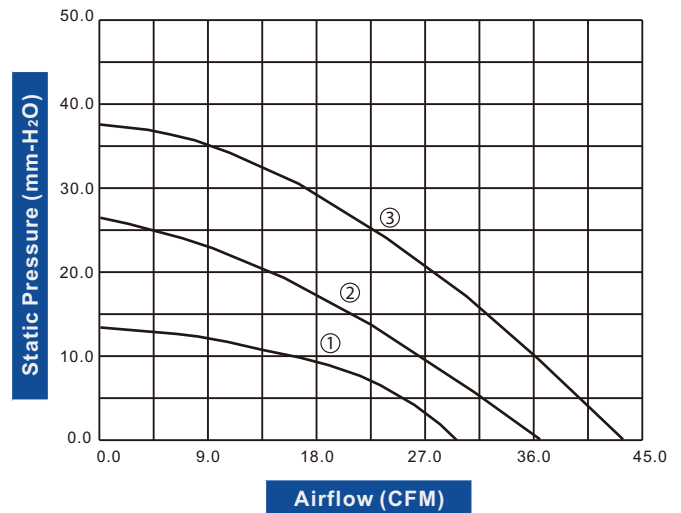
Model Number	Voltage (VDC)	Op.Voltage (VDC)	AirFlow (CFM)	StaticPres. (mm-H ₂ O)	Noise (dBA)	Speed (RPM)	Current (mA)	Power (W)	Available Bearing	Curves
FBD1232B12W3-88A	★▲ 12	5.0~13.8	29.60	13.40	39.40	2,000	750	9.00	B,S	①
FBD1232B12W5-88A	★▲ 12	5.0~13.8	36.50	25.50	44.80	2,500	1000	12.00	B,S	②
FBD1232B12W7-88A	★▲ 12	5.0~13.8	43.50	37.50	50.20	3,000	1500	18.00	B,S	③
FBD1232B24W3-88A	★▲ 24	12.0~26.0	29.60	13.40	39.40	2,000	250	6.00	B,S	①
FBD1232B24W5-88A	★▲ 24	12.0~26.0	36.50	25.50	44.80	2,500	350	8.40	B,S	②
FBD1232B24W7-88A	★▲ 24	12.0~26.0	43.50	37.50	50.20	3,000	550	13.20	B,S	③

- If model depicts "★", auto restart protection function built in.
- If model depicts "▲", polarity protection function built in.

Specifications are subject to change without notice



unit: mm



DC BLOWER 121x121x37mm

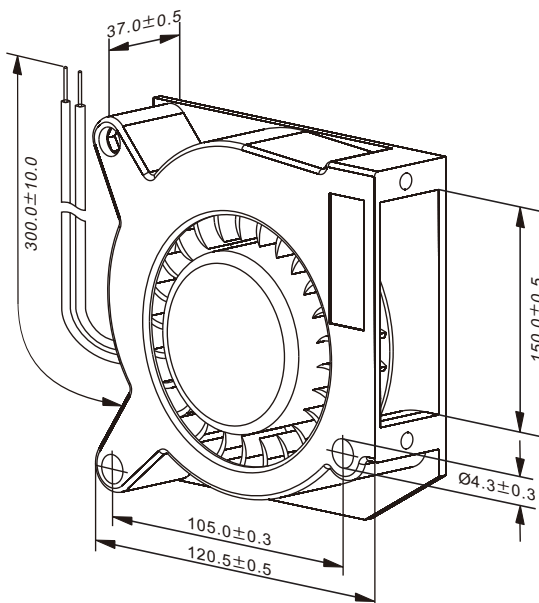


Spiral Housing: Fiberglass-Reinforced Polycarbonate
Housing Base: Galvanized Steel Plate
Blade: Thermoplastic PBT, UL 94V-0
Insulation Resistance: 10MΩ, 500VDC/min between bare wire and frame
Dielectric Strength: 5mA max. 500VAC/min between bare wire and frame
Operation Temperature: -20°C~70°C(Humidity 15%-90%RH)
Storage Temperature: -40°C~85°C(Humidity 15%-90%RH)
Lead Wire: UL Type #24 AWG
Weight: 500 g **Packing:** 20PCS/CTN

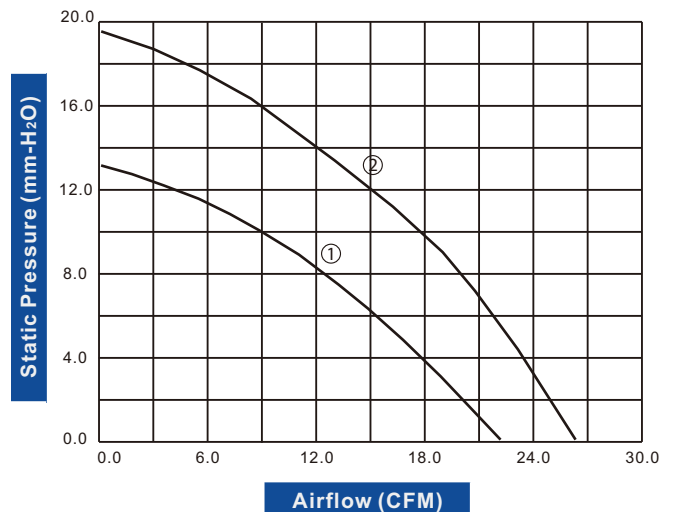
Model Number		Voltage (VDC)	Op.Voltage (VDC)	AirFlow (CFM)	StaticPres. (mm-H ₂ O)	Noise (dBA)	Speed (RPM)	Current (mA)	Power (W)	Available Bearing	Curves
FBD1237B12W5-51	★	12	10.0~13.8	22.00	13.20	52.00	2,500	630	7.56	B,S	①
FBD1237B12W7-51	★	12	10.0~13.8	26.00	19.30	55.00	2,800	950	11.40	B,S	②
FBD1237B24W5-51	★	24	20.0~28.0	22.00	13.20	52.00	2,500	310	7.44	B,S	①
FBD1237B24W7-51	★	24	20.0~28.0	26.00	19.30	55.00	2,800	420	10.08	B,S	②
FBD1237B48W5-51	★	48	25.0~52.0	22.00	13.20	52.00	2,500	160	7.68	B,S	①
FBD1237B48W7-51	★	48	25.0~52.0	26.00	19.30	55.00	2,800	230	11.40	B,S	②

- For "Sleeve" bearing version, change the "B" in the model number to "S".
- If model depicts "★", auto restart protection function built in.

Specifications are subject to change without notice



unit: mm



DC BLOWER 180x171x81mm



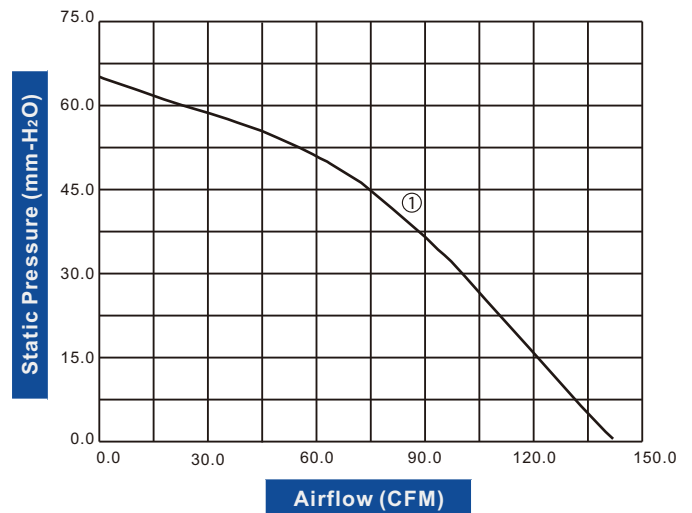
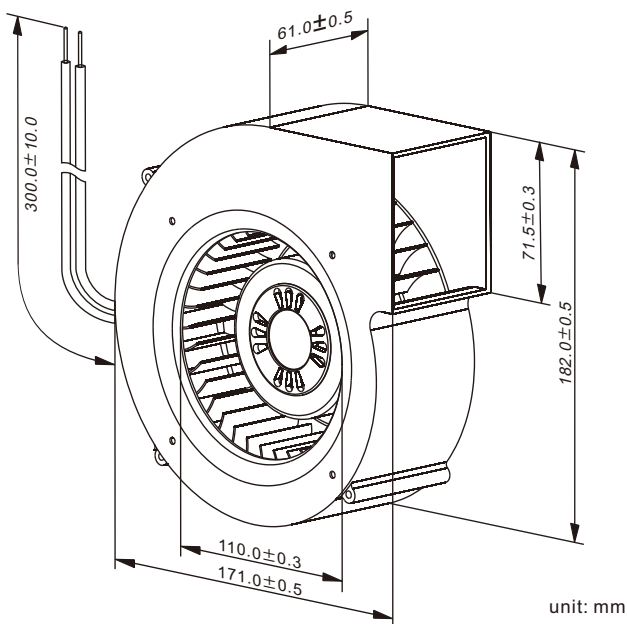
Housing: Thermoplastic PBT, UL 94V-0 and Aluminum Alloy.
Blade: Thermoplastic PBT, UL 94V-0
Insulation Resistance: 10MΩ, 500VDC/min between bare wire and frame
Dielectric Strength: 5mA max. 500VAC/min between bare wire and frame
Operation Temperature: -10°C~70°C(Humidity 35%-85%RH)
Storage Temperature: -40°C~70°C(Humidity 35%-85%RH)
Lead Wire: UL Type #22 AWG
Weight: 926 g **Packing:** 12PCS/CTN



Model Number	Voltage (VDC)	Op.Voltage (VDC)	AirFlow (CFM)	StaticPres. (mm-H ₂ O)	Noise (dBA)	Speed (RPM)	Current (mA)	Power (W)	Available Bearing	Curves
FBD1881B24W3-61	★▲ 24	12.0~27.6	138.90	64.80	62.10	2,000	2200	52.80	B	①
FBD1881B48W3-61	★▲ 48	24.0~55.2	138.90	64.80	62.10	2,000	1100	52.80	B	①

- If model depicts "★", auto restart protection function built in.
- If model depicts "▲", polarity protection function built in.

Specifications are subject to change without notice



DC Cross Flow Fan 60 SERIES



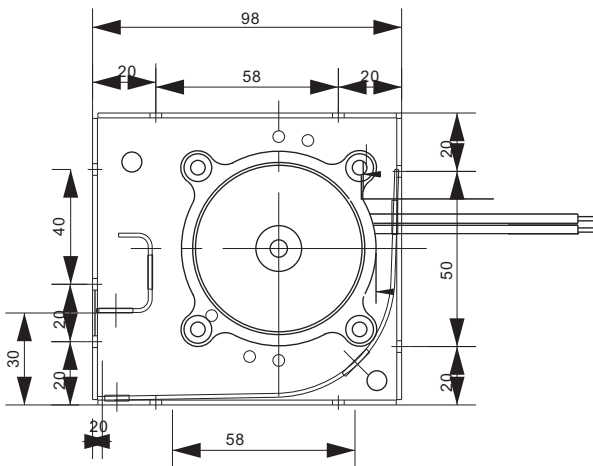
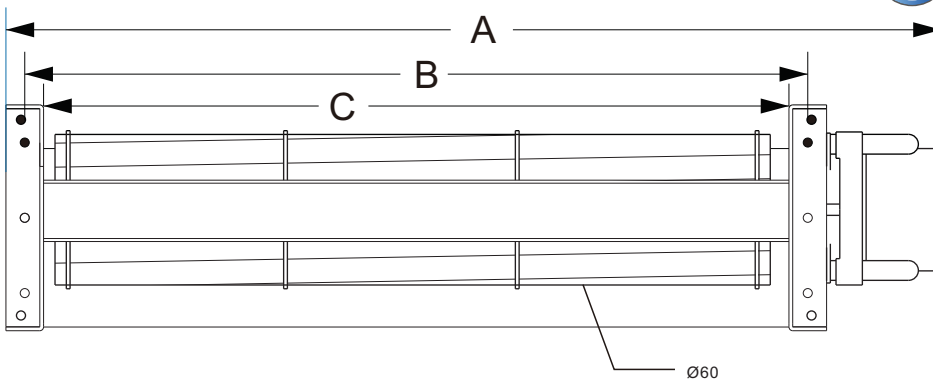
Housing/Blade: Steel/Al alloy
 Insulation Resistance: 10M Ω , 500VDC/min between bare wire and frame
 Dielectric Strength: 5mA max. 500VAC/min between bare wire and frame
 Operation Temperature: -10°C~70°C(Humidity 5%-90%RH)
 Storage Temperature: -40°C~75°C(Humidity 5%-95%RH)
 Lead Wire: UL Type #24 AWG
 Weight: 732/825/930 g Packing: 20/10/10PCS/CTN



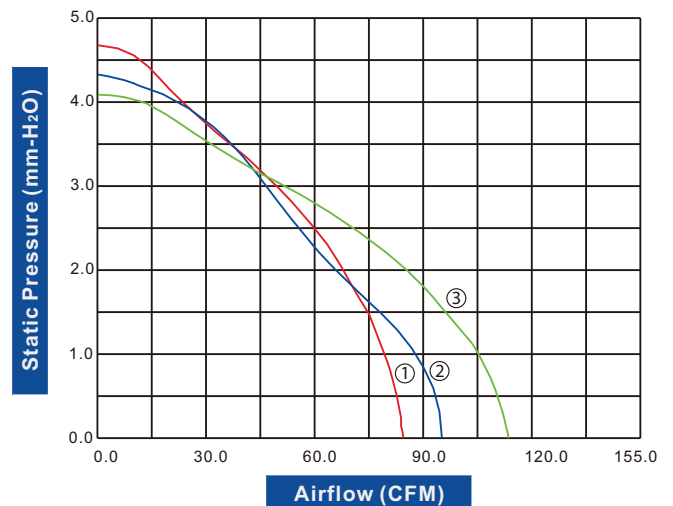
Model Number	Size(mm)			Voltage (VDC)	Op.Voltage (VDC)	AirFlow (CFM)	Static Pres. (mm-H ₂ O)	Noise (dBA)	Speed (RPM)	Current (mA)	Power (W)	Available Bearing	Curves
	A	B	C										
FCD60190B12W5-87 ★▲	246	199	184	12	8.0~13.2	83.00	4.70	43.30	2,400	1,000	12.00	B	①
FCD60190B24W5-87 ★▲	246	199	184	24	15.0~26.4	83.00	4.70	43.30	2,400	470	11.28	B	①
FCD60250B12W5-87 ★▲	307	259	245	12	8.0~13.2	101.00	4.30	43.30	2,200	1,200	14.40	B	②
FCD60250B24W5-87 ★▲	307	259	245	24	15.0~26.4	101.00	4.30	43.30	2,200	550	13.20	B	②
FCD60300B12W5-87 ★▲	368	321	306	12	8.0~13.2	114.70	4.10	44.30	2,100	1,350	16.20	B	③
FCD60300B24W5-87 ★▲	368	321	306	24	15.0~26.4	114.70	4.10	44.30	2,100	630	15.12	B	③

- If model depicts "★", auto restart protection function built in.
- If model depicts "▲", polarity protection function built in.

Specifications are subject to change without notice



unit: mm



AC AXIAL FAN 80x80x25mm



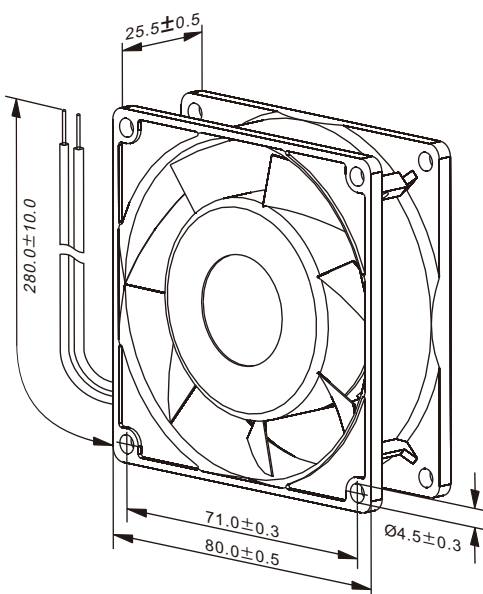
Housing: Die-Cast Aluminum, Painted Black
Blade: Thermoplastic PBT, UL 94V-0
Insulation Resistance: 100M Ω , 500VDC/min between bare wire and frame
Dielectric Strength: 1500VAC for one minute
Operation Temperature: -20°C~70°C(Humidity 35%-85%RH)
Storage Temperature: -40°C~85°C(Humidity 35%-85%RH)
Motor Protection: Impedance Protected
Weight: 223 g **Packing:** 100PCS/CTN



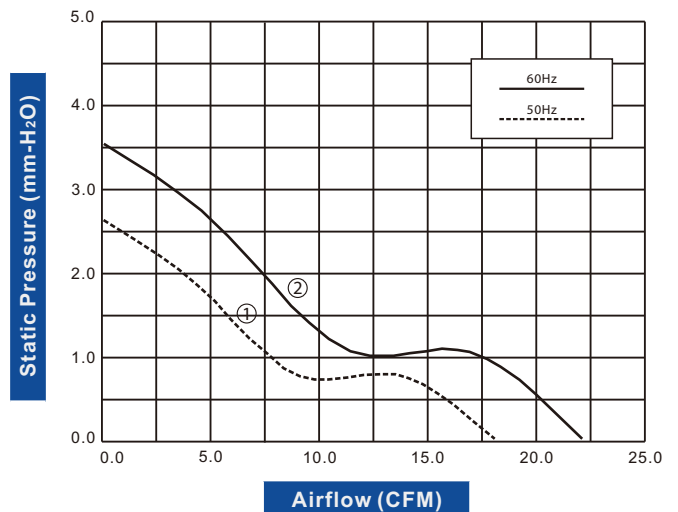
Model Number	Voltage (VAC)	Frequency (Hz)	AirFlow (CFM)	Stat.Pres. (mm-H ₂ O)	Noise (dBA)	Speed (RPM)	Current (mA)	Power (W)	Available Bearing	Curves
FA8025B11T7-51	115	50/60	18.0/22.0	2.6/3.5	25.0/32.0	2,400/2,900	70/60	6/5	B,S	①/②
FA8025B22T7-51	230	50/60	18.0/22.0	2.6/3.5	25.0/32.0	2,400/3,000	50/40	9/7	B,S	①/②

- For "Sleeve" bearing version, change the "B" in the model number to "S".
- For "Wire Lead" version, change the "T" in the model number to "W".

Specifications are subject to change without notice



unit: mm



AC AXIAL FAN 80x80x25mm



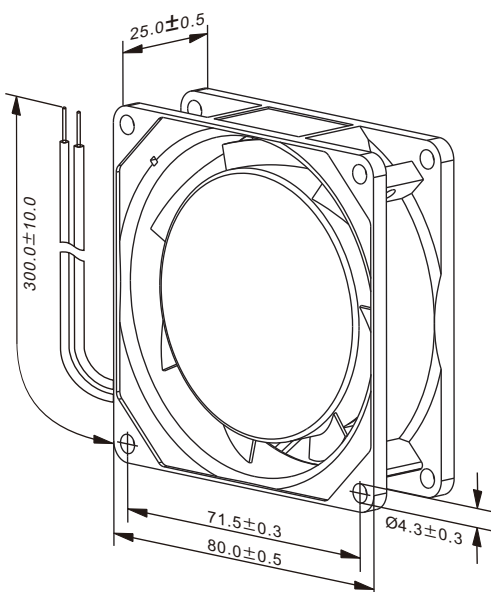
Housing: Die-Cast Aluminum, Painted Black
Blade: Thermoplastic PBT, UL 94V-0
Insulation Resistance: 100M Ω , 500VDC/min between bare wire and frame
Dielectric Strength: 1500VAC for one minutue
Operation Temperature: -10°C~70°C(Humidity 35%-85%RH)
Storage Temperature: -40°C~85°C(Humidity 35%-85%RH)
Motor Protection: Impedance Protected
Weight: 250 g **Packing:** 60PCS/CTN



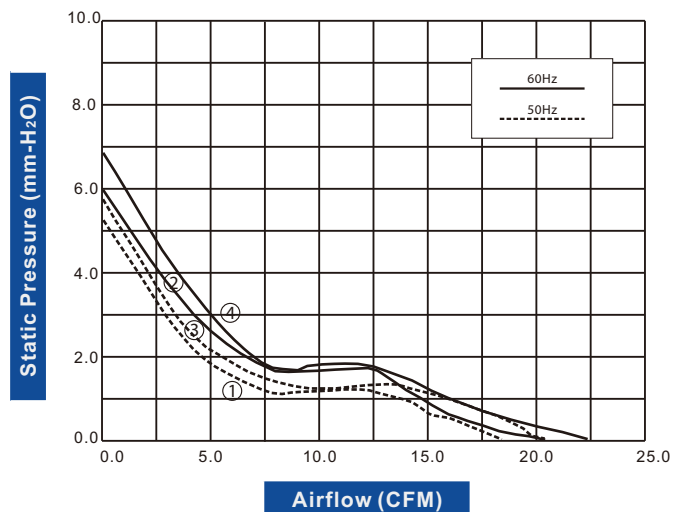
Model Number	Voltage (VAC)	Frequency (Hz)	AirFlow (CFM)	Stat.Pres. (mm-H ₂ O)	Noise (dBA)	Speed (RPM)	Current (mA)	Power (W)	Available Bearing	Curves
FA8025B11T5-96	115	50/60	18.3/20.3	5.2/5.9	28.6/32.5	2,400/3,100	130/110	12/10	B,S	①/②
FA8025B11T7-96	115	50/60	20.3/22.3	5.7/6.4	29.6/33.5	2,500/3,200	140/120	13/11	B,S	③/④
FA8025B22T5-96	* 230	50/60	18.3/20.3	5.2/5.9	28.6/32.5	2,400/3,000	60/50	11/9	B,S	①/②
FA8025B22T7-96	* 230	50/60	20.3/22.3	5.7/6.4	29.6/33.5	2,500/3,200	65/55	12/10	B,S	③/④

- For "Sleeve" bearing version, change the "B" in the model number to "S".
- For "Wire Lead" version, change the "T" in the model number to "W".
- If model depicts "*", UL approvals can be implemented upon request.

Specifications are subject to change without notice



unit: mm



AC AXIAL FAN 80x80x38mm



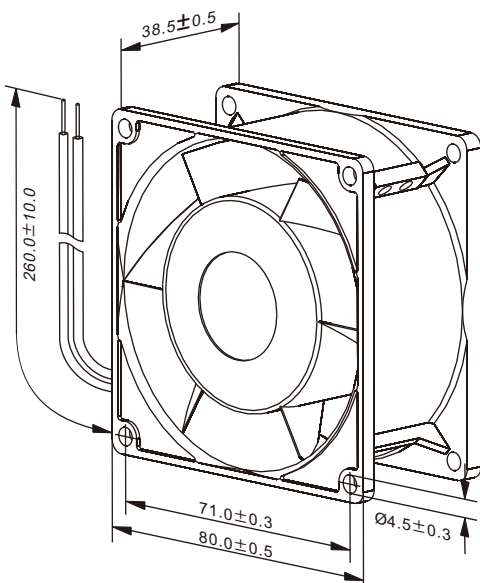
Housing: Die-Cast Aluminum, Painted Black
Blade: Thermoplastic PBT, UL 94V-0
Insulation Resistance: 100MΩ, 500VDC/min between bare wire and frame
Dielectric Strength: 1500VAC for one minute
Operation Temperature: -20°C~70°C(Humidity 35%-85%RH)
Storage Temperature: -40°C~85°C(Humidity 35%-85%RH)
Motor Protection: Impedance Protected
Weight: 232 g **Packing:** 50PCS/CTN



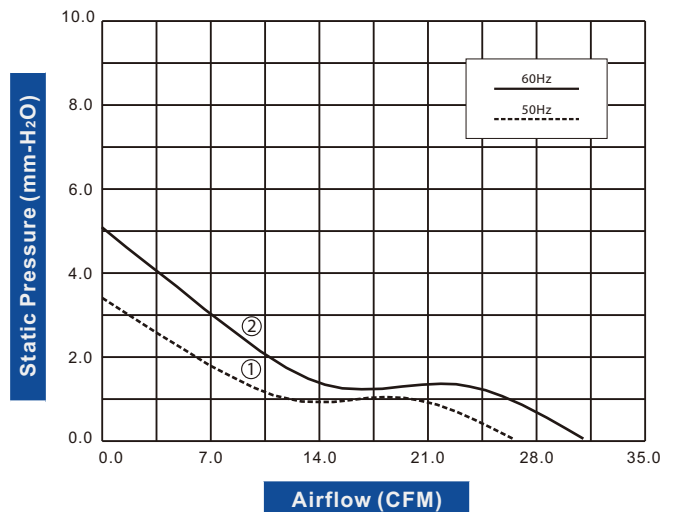
Model Number	Voltage (VAC)	Frequency (Hz)	AirFlow (CFM)	Stat.Pres. (mm-H ₂ O)	Noise (dBA)	Speed (RPM)	Current (mA)	Power (W)	Available Bearing	Curves
FA8038B11T7-51	115	50/60	26.0/31.0	3.4/5.0	35.0/39.0	2,700/3,100	150/120	11/9	B,S	①/②
FA8038B22T7-51	230	50/60	26.0/31.0	3.4/5.0	35.0/39.0	2,700/3,100	80/60	11/9	B,S	①/②

- For "Sleeve" bearing version, change the "B" in the model number to "S".
- For "Wire Lead" version, change the "T" in the model number to "W".

Specifications are subject to change without notice



unit: mm



AC AXIAL FAN 80x80x38mm



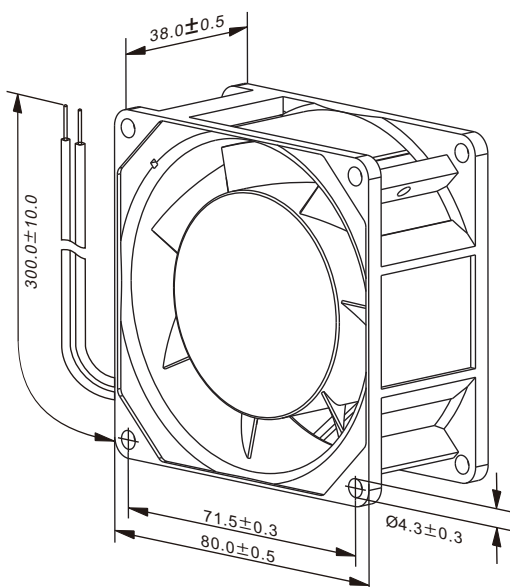
Housing: Die-Cast Aluminum, Painted Black
Blade: Thermoplastic PBT, UL 94V-0
Insulation Resistance: 100M Ω , 500VDC/min between bare wire and frame
Dielectric Strength: 1500VAC for one minutue
Operation Temperature: -10°C~70°C(Humidity 35%-85%RH)
Storage Temperature: -40°C~85°C(Humidity 35%-85%RH)
Motor Protection: Impedance Protected
Weight: 290 g **Packing:** 60PCS/CTN



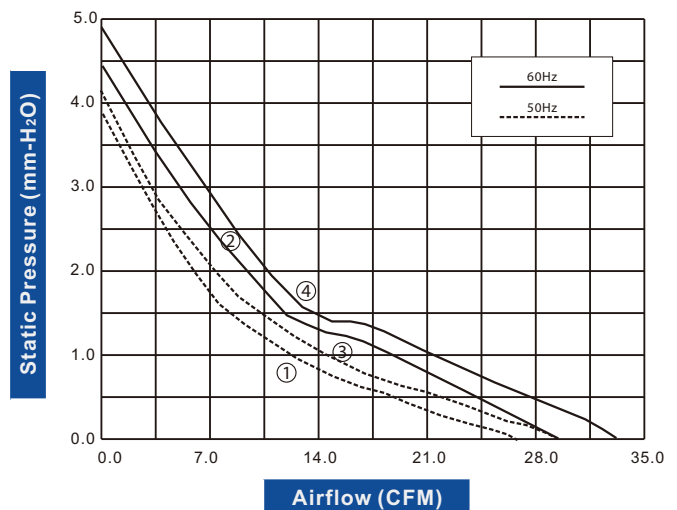
Model Number	Voltage (VAC)	Frequency (Hz)	AirFlow (CFM)	Stat.Pres. (mm-H ₂ O)	Noise (dBA)	Speed (RPM)	Current (mA)	Power (W)	Available Bearing	Curves
FA8038B11T5-96	115	50/60	26.4/29.4	3.9/4.4	29.6/34.5	2,300/2,600	160/120	9/7	B,S	①/②
FA8038B11T7-96	115	50/60	29.4/32.5	4.1/4.9	31.5/36.4	2,400/2,700	200/160	12/9	B,S	③/④
FA8038B22T5-96	* 230	50/60	26.4/29.4	3.9/4.4	29.6/34.5	2,200/2,600	65/50	11/8	B,S	①/②
FA8038B22T7-96	* 230	50/60	29.4/32.5	4.1/4.9	31.5/36.4	2,300/2,700	100/100	13/9	B,S	③/④

- For "Sleeve" bearing version, change the "B" in the model number to "S".
- For "Wire Lead" version, change the "T" in the model number to "W".
- If model depicts "*", UL approvals can be implemented upon request.

Specifications are subject to change without notice



unit: mm



AC AXIAL FAN 92x92x25mm

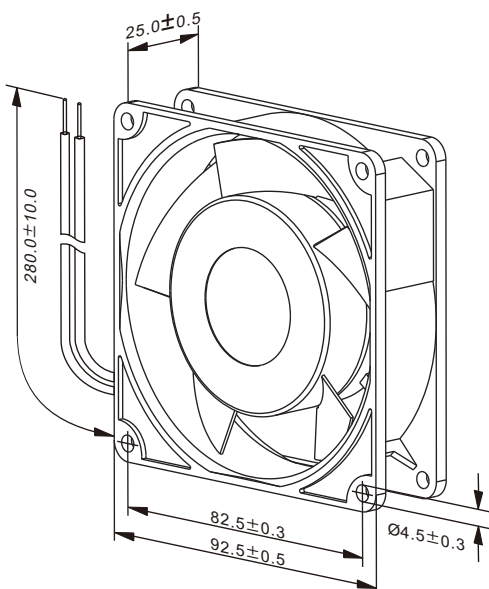


Housing: Die-Cast Aluminum, Painted Black
Blade: Thermoplastic PBT, UL 94V-0
Insulation Resistance: 100M Ω , 500VDC/min between bare wire and frame
Dielectric Strength: 1500VAC for one minute
Operation Temperature: -20°C-70°C(Humidity 35%-85%RH)
Storage Temperature: -40°C-85°C(Humidity 35%-85%RH)
Motor Protection: Impedance Protected
Weight: 300 g **Packing:** 50PCS/CTN

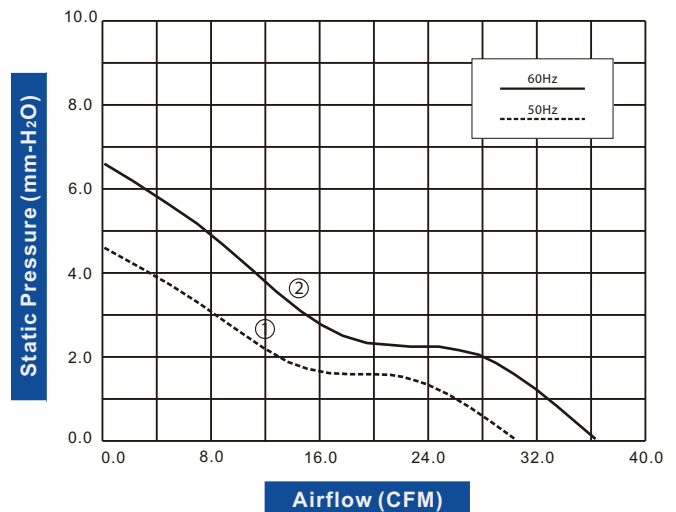
Model Number	Voltage (VAC)	Frequency (Hz)	AirFlow (CFM)	Stat.Pres. (mm-H ₂ O)	Noise (dBA)	Speed (RPM)	Current (mA)	Power (W)	Available Bearing	Curves
FA9225B11T7-51	115	50/60	30.0/36.0	4.6/6.5	40.0/45.0	2,700/3,200	140/110	11/9	B,S	①/②
FA9225B22T7-51	230	50/60	30.0/36.0	4.6/6.5	40.0/45.0	2,600/3,100	70/60	12/10	B,S	①/②

- For "Sleeve" bearing version, change the "B" in the model number to "S".
- For "Wire Lead" version, change the "T" in the model number to "W".

Specifications are subject to change without notice



unit: mm



AC AXIAL FAN 92x92x25mm



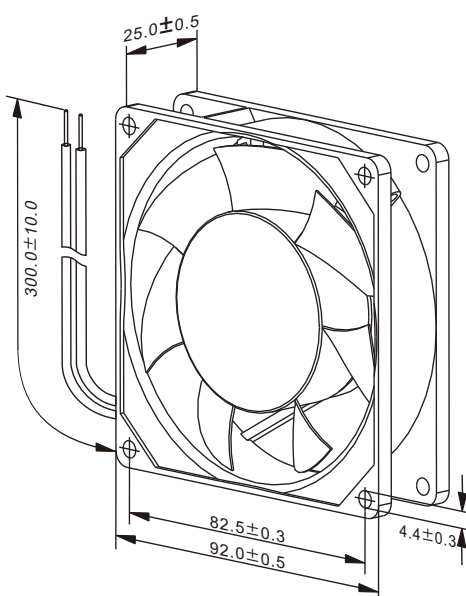
Housing: Die-Cast Aluminum, Painted Black
Blade: Thermoplastic PBT, UL 94V-0
Insulation Resistance: 100M Ω , 500VDC/min between bare wire and frame
Dielectric Strength: 1500VAC for one minutue
Operation Temperature: -10°C~70°C(Humidity 35%-85%RH)
Storage Temperature: -40°C~85°C(Humidity 35%-85%RH)
Motor Protection: Impedance Protected
Weight: 240 g **Packing:** 60PCS/CTN



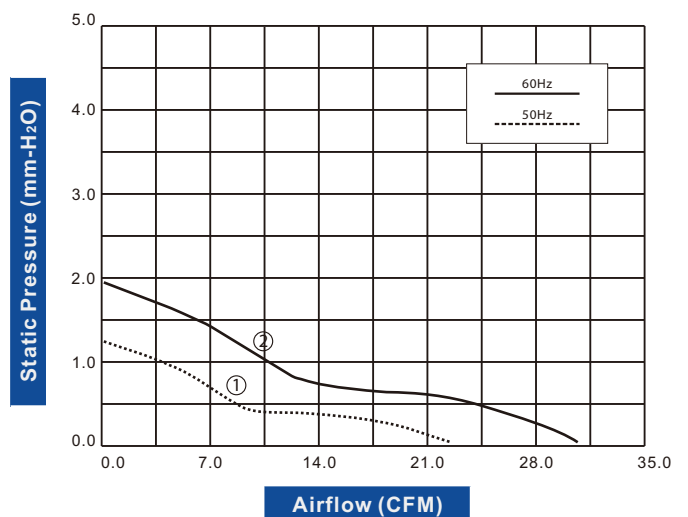
Model Number	Voltage (VAC)	Frequency (Hz)	AirFlow (CFM)	Stat.Pres. (mm-H ₂ O)	Noise (dBA)	Speed (RPM)	Current (mA)	Power (W)	Available Bearing	Curves
FA9225B11T7-61	115	50/60	22.3/30.5	1.2/1.9	21.7/25.6	1,400/1,900	130/130	13/11	B,S	①/②
FA9225B22T7-61	230	50/60	22.3/30.5	1.2/1.9	21.7/25.6	1,400/1,900	100/100	13/11	B,S	①/②

- For "Sleeve" bearing version, change the "B" in the model number to "S".
- For "Wire Lead" version, change the "T" in the model number to "W".

Specifications are subject to change without notice



unit: mm



AC AXIAL FAN 92x92x25mm



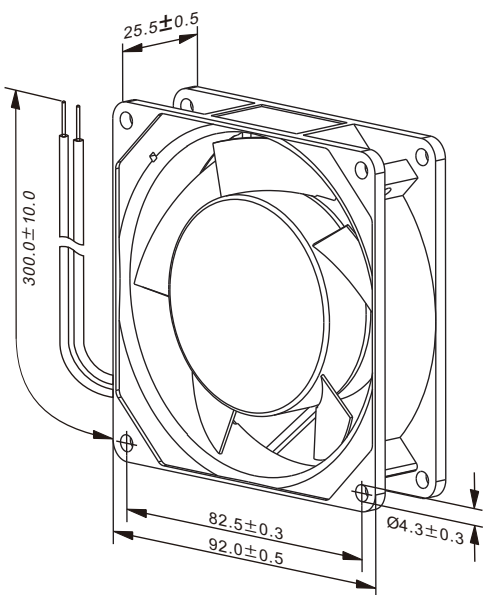
Housing: Die-Cast Aluminum, Painted Black
Blade: Thermoplastic PBT, UL 94V-0
Insulation Resistance: 100M Ω , 500VDC/min between bare wire and frame
Dielectric Strength: 1500VAC for one minutue
Operation Temperature: -10°C~70°C(Humidity 35%-85%RH)
Storage Temperature: -40°C~85°C(Humidity 35%-85%RH)
Motor Protection: Impedance Protected
Weight: 260 g **Packing:** 60PCS/CTN



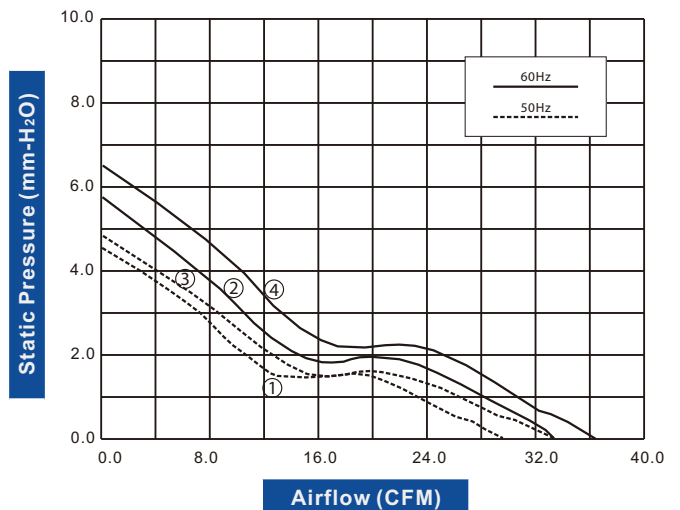
Model Number	Voltage (VAC)	Frequency (Hz)	AirFlow (CFM)	Stat.Pres. (mm-H ₂ O)	Noise (dBA)	Speed (RPM)	Current (mA)	Power (W)	Available Bearing	Curves
FA9225B11T5-96	115	50/60	29.4/33.5	4.4/5.9	33.5/35.5	2,300/2,800	130/110	12/10	B,S	①/②
FA9225B11T7-96	115	50/60	33.5/36.5	4.6/6.4	35.5/37.4	2,400/2,900	140/120	13/11	B,S	③/④
FA9225B22T5-96	※ 230	50/60	29.4/33.5	4.4/5.9	33.5/35.5	2,300/2,800	60/50	11/9	B,S	①/②
FA9225B22T7-96	※ 230	50/60	33.5/36.5	4.6/6.4	35.5/37.4	2,400/2,900	65/55	12/10	B,S	③/④

- For "Sleeve" bearing version, change the "B" in the model number to "S".
- For "Wire Lead" version, change the "T" in the model number to "W".
- If model depicts "※", UL approvals can be implemented upon request.

Specifications are subject to change without notice



unit: mm



AC AXIAL FAN 92x92x38mm



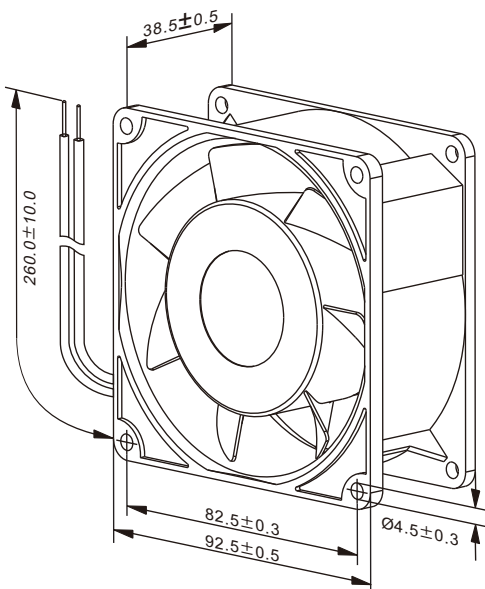
Housing: Die-Cast Aluminum, Painted Black
Blade: Thermoplastic PBT, UL 94V-0
Insulation Resistance: 100M Ω , 500VDC/min between bare wire and frame
Dielectric Strength: 1500VAC for one minutue
Operation Temperature: -20°C-70°C(Humidity 35%-85%RH)
Storage Temperature: -40°C-85°C(Humidity 35%-85%RH)
Motor Protection: Impedance Protected
Weight: 446 g **Packing:** 50PCS/CTN



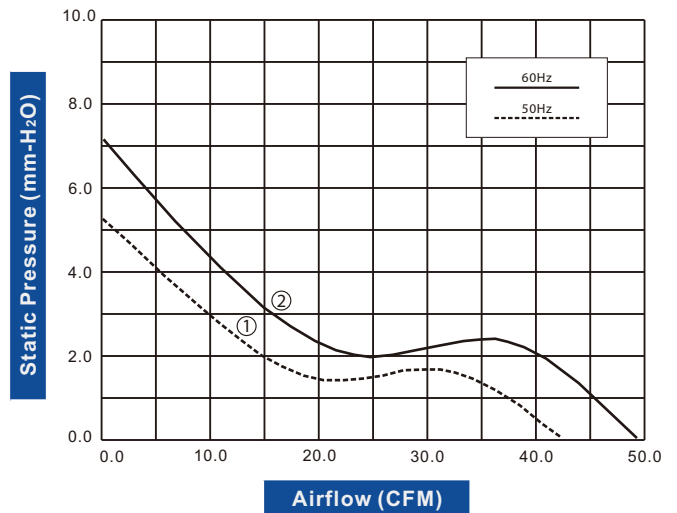
Model Number	Voltage (VAC)	Frequency (Hz)	AirFlow (CFM)	Stat.Pres. (mm-H ₂ O)	Noise (dBA)	Speed (RPM)	Current (mA)	Power (W)	Available Bearing	Curves
FA9238B11T7-51	115	50/60	42.0/49.0	5.2/7.1	40.0/45.0	2,800/3,200	190/150	14/11	B,S	①/②
FA9238B22T7-51	230	50/60	42.0/49.0	5.2/7.1	40.0/45.0	2,800/3,200	100/80	15/12	B,S	①/②

- For "Sleeve" bearing version, change the "B" in the model number to "S".
- For "Wire Lead" version, change the "T" in the model number to "W".

Specifications are subject to change without notice



unit: mm



AC AXIAL FAN 92x92x38mm

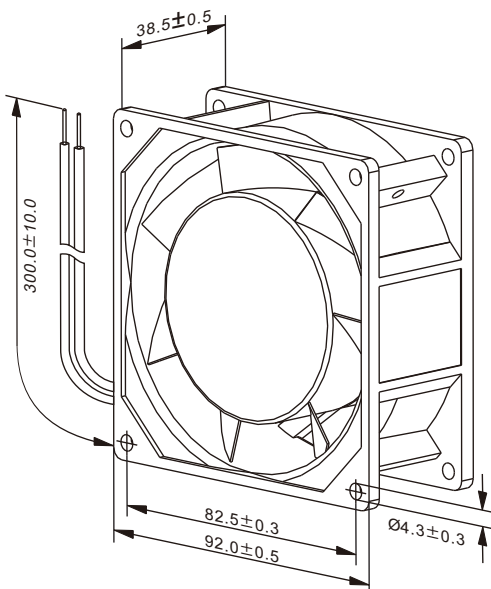


Housing: Die-Cast Aluminum, Painted Black
Blade: Thermoplastic PBT, UL 94V-0
Insulation Resistance: 100M Ω , 500VDC/min between bare wire and frame
Dielectric Strength: 1500VAC for one minute
Operation Temperature: -10°C-70°C(Humidity 35%-85%RH)
Storage Temperature: -40°C-85°C(Humidity 35%-85%RH)
Motor Protection: Impedance Protected
Weight: 320 g **Packing:** 60PCS/CTN

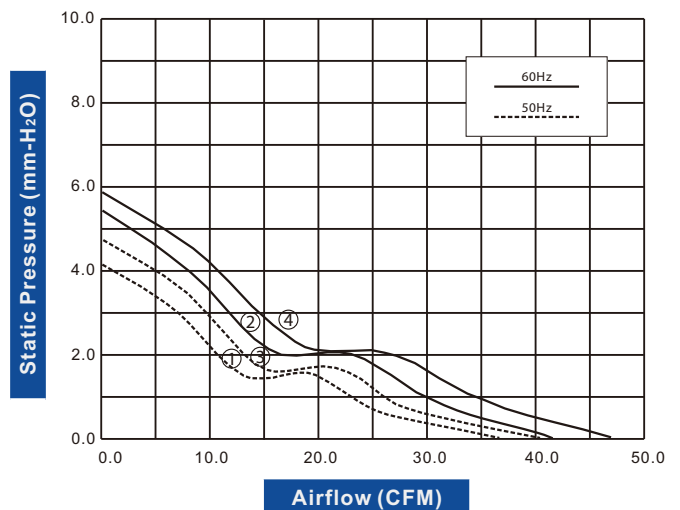
Model Number	Voltage (VAC)	Frequency (Hz)	AirFlow (CFM)	Stat.Pres. (mm-H ₂ O)	Noise (dBA)	Speed (RPM)	Current (mA)	Power (W)	Available Bearing	Curves
FA9238B11T5-96	115	50/60	37.6/42.6	4.1/5.4	35.5/38.4	2,100/2,400	110/90	9/7	B,S	①/②
FA9238B11T7-96	115	50/60	40.6/46.7	4.6/5.9	36.4/40.4	2,200/2,600	140/110	12/9	B,S	③/④
FA9238B22T5-96	230	50/60	37.6/42.6	4.1/5.4	35.5/38.4	2,100/2,400	65/60	11/9	B,S	①/②
FA9238B22T7-96	230	50/60	40.6/46.7	4.6/5.9	36.4/40.4	2,200/2,600	75/60	12/10	B,S	③/④

- For "Sleeve" bearing version, change the "B" in the model number to "S".
- For "Wire Lead" version, change the "T" in the model number to "W".

Specifications are subject to change without notice



unit: mm



AC AXIAL FAN 110x110x25mm

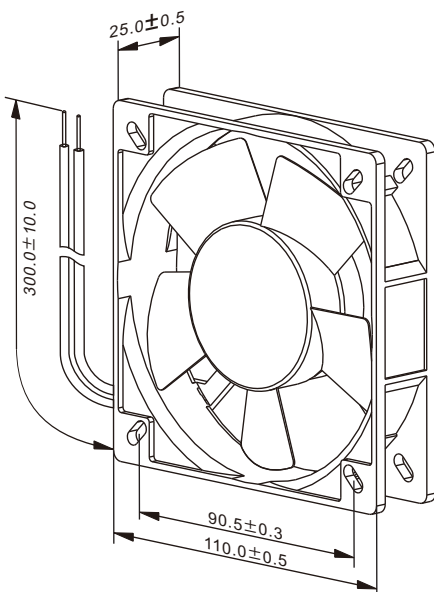


Housing: Die-Cast Aluminum, Painted Black
Blade: Thermoplastic PBT, UL 94V-0
Insulation Resistance: 100MΩ, 500VDC/min between bare wire and frame
Dielectric Strength: 1500VAC for one minutue
Operation Temperature: -10°C~70°C(Humidity 35%-85%RH)
Storage Temperature: -40°C~85°C(Humidity 35%-85%RH)
Motor Protection: Impedance Protected
Weight: 320 g **Packing:** 40PCS/CTN

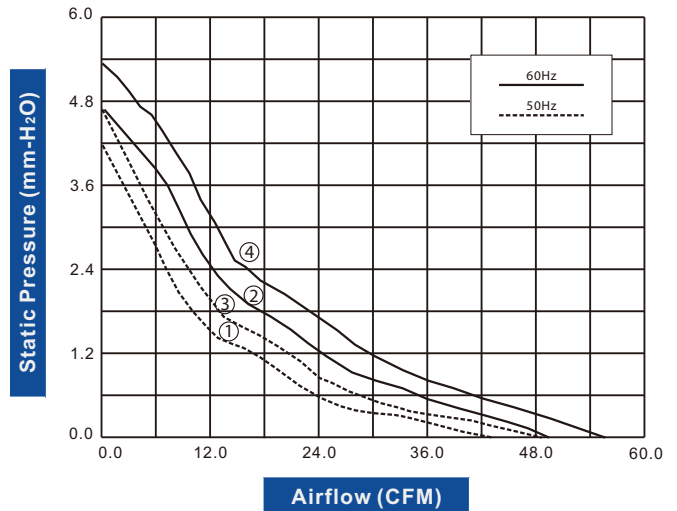
Model Number	Voltage (VAC)	Frequency (Hz)	AirFlow (CFM)	Stat.Pres. (mm-H ₂ O)	Noise (dBA)	Speed (RPM)	Current (mA)	Power (W)	Available Bearing	Curves
FA1125B11T5-96	115	50/60	43.6/49.7	4.1/4.6	36.4/39.4	2,000/2,200	130/110	12/10	B,S	①/②
FA1125B11T7-96	115	50/60	48.7/55.8	4.6/5.2	38.4/41.4	2,100/2,300	140/120	13/11	B,S	③/④
FA1125B22T5-96	230	50/60	43.6/49.7	4.1/4.6	36.4/39.4	2,000/2,200	80/70	11/9	B,S	①/②
FA1125B22T7-96	230	50/60	48.7/55.8	4.6/5.2	38.4/41.4	2,100/2,300	90/80	12/10	B,S	③/④

- For "Sleeve" bearing version, change the "B" in the model number to "S".
- For "Wire Lead" version, change the "T" in the model number to "W".

Specifications are subject to change without notice



unit: mm



AC AXIAL FAN 120x120x25mm

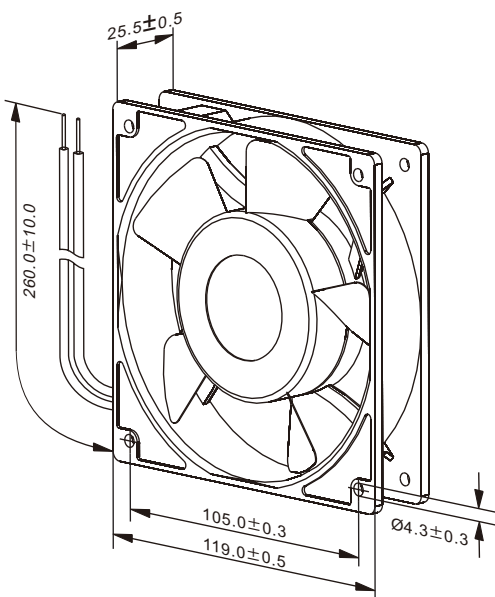


Housing: Die-Cast Aluminum, Painted Black
Blade: Thermoplastic PBT, UL 94V-0
Insulation Resistance: 100M Ω , 500VDC/min between bare wire and frame
Dielectric Strength: 1500VAC for one minutue
Operation Temperature: -20°C~70°C(Humidity 35%-85%RH)
Storage Temperature: -40°C~85°C(Humidity 35%-85%RH)
Motor Protection: Impedance Protected
Weight: 346 g **Packing:** 40PCS/CTN

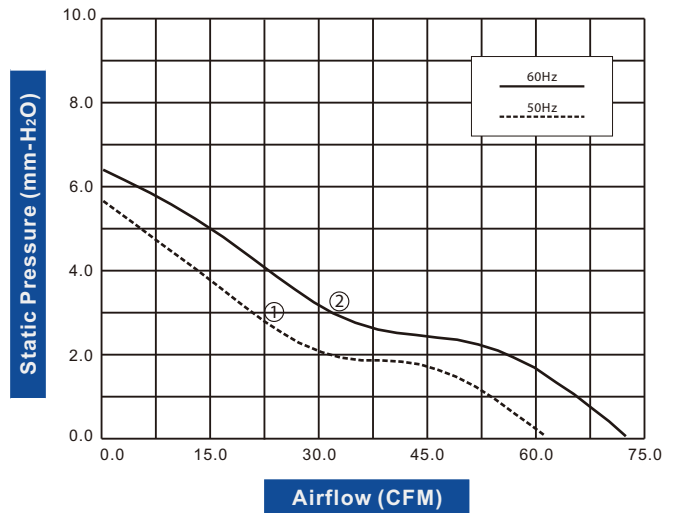
Model Number	Voltage (VAC)	Frequency (Hz)	AirFlow (CFM)	Stat.Pres. (mm-H ₂ O)	Noise (dBA)	Speed (RPM)	Current (mA)	Power (W)	Available Bearing	Curves
FA1225B11T7-51	115	50/60	61.0/72.0	5.6/6.3	42.0/45.0	2,600/3,100	150/120	13/10	B,S	①/②
FA1225B22T7-51	230	50/60	61.0/72.0	5.6/6.3	42.0/45.0	2,600/3,000	70/60	13/10	B,S	①/②

- For "Sleeve" bearing version, change the "B" in the model number to "S".
- For "Wire Lead" version, change the "T" in the model number to "W".

Specifications are subject to change without notice



unit: mm



AC AXIAL FAN 120x120x25mm



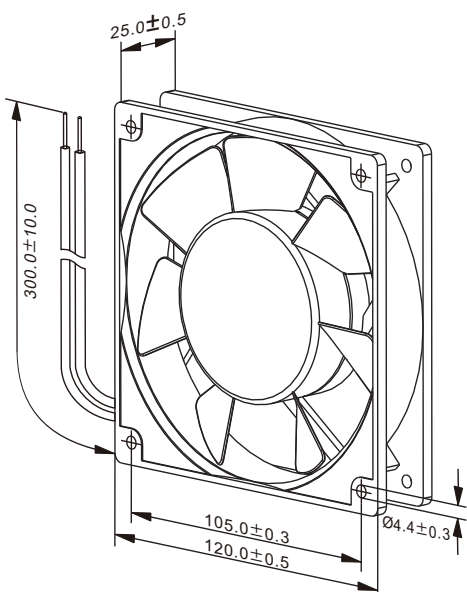
Housing: Die-Cast Aluminum, Painted Black
Blade: Thermoplastic PBT, UL 94V-0
Insulation Resistance: 100MΩ, 500VDC/min between bare wire and frame
Dielectric Strength: 1500VAC for one minute
Operation Temperature: -10°C~70°C(Humidity 35%-85%RH)
Storage Temperature: -40°C~85°C(Humidity 35%-85%RH)
Motor Protection: Impedance Protected
Weight: 370 g **Packing:** 40PCS/CTN



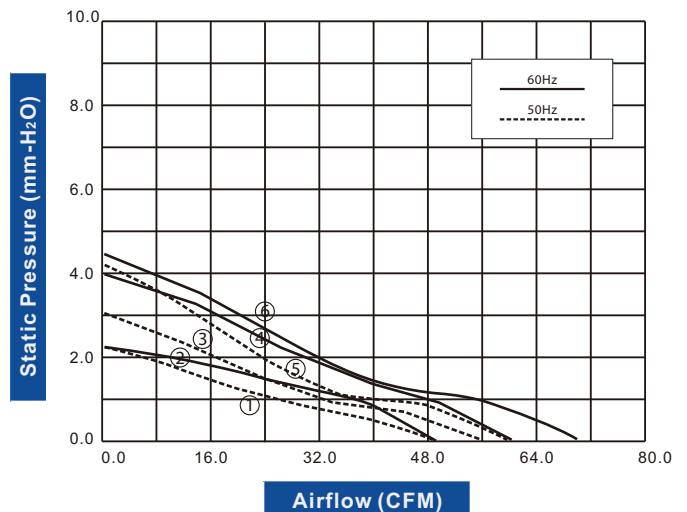
Model Number	Voltage (VAC)	Frequency (Hz)	AirFlow (CFM)	Stat.Pres. (mm-H ₂ O)	Noise (dBA)	Speed (RPM)	Current (mA)	Power (W)	Available Bearing	Curves
FA1225B11T3-61	115	50/60	50.8/50.8	2.2/2.2	30.5/30.5	1,800/1,800	90/90	9/8	B,S	①/②
FA1225B11T5-61	115	50/60	55.8/60.9	3.0/3.8	32.5/33.5	2,000/2,200	130/130	11/10	B,S	③/④
FA1225B11T7-61	115	50/60	59.9/69.0	4.1/4.4	33.5/38.4	2,150/2,450	170/170	14/13	B,S	⑤/⑥
FA1225B22T3-61	230	50/60	50.8/50.8	2.2/2.2	30.5/30.5	1,800/1,800	50/50	9/8	B,S	①/②
FA1225B22T5-61	230	50/60	55.8/60.9	3.0/3.8	32.5/33.5	2,000/2,200	60/60	11/10	B,S	③/④
FA1225B22T7-61	230	50/60	59.5/69.0	4.1/4.4	33.5/38.4	2,150/2,450	70/70	14/13	B,S	⑤/⑥

- For "Sleeve" bearing version, change the "B" in the model number to "S".
- For "Wire Lead" version, change the "T" in the model number to "W".

Specifications are subject to change without notice



unit: mm



AC AXIAL FAN 120x120x25mm



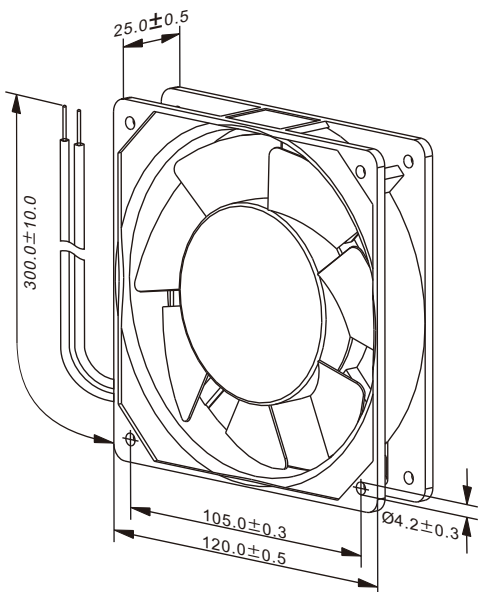
Housing: Die-Cast Aluminum, Painted Black
Blade: Thermoplastic PBT, UL 94V-0
Insulation Resistance: 100M Ω , 500VDC/min between bare wire and frame
Dielectric Strength: 1500VAC for one minute
Operation Temperature: -10°C-70°C(Humidity 35%-85%RH)
Storage Temperature: -40°C-85°C(Humidity 35%-85%RH)
Motor Protection: Impedance Protected
Weight: 335 g **Packing:** 40PCS/CTN



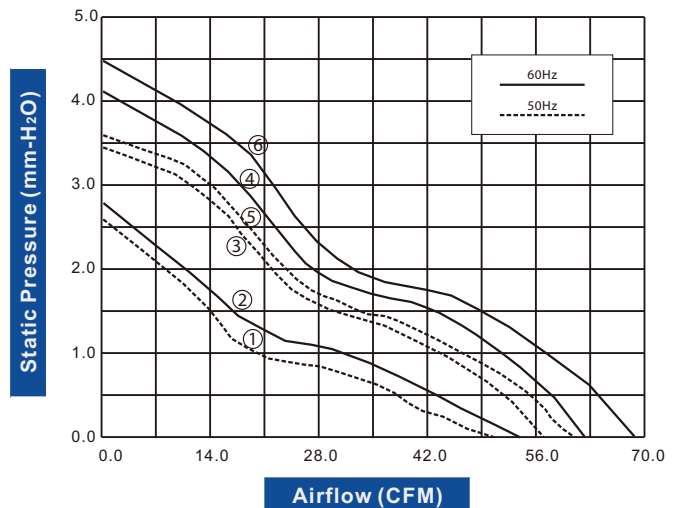
Model Number	Voltage (VAC)	Frequency (Hz)	AirFlow (CFM)	Stat.Pres. (mm-H ₂ O)	Noise (dBA)	Speed (RPM)	Current (mA)	Power (W)	Available Bearing	Curves
FA1225B11T5-96	115	50/60	50.8/53.8	2.6/2.8	29.6/31.5	2,000/2,200	120/100	11/9	B,S	①/②
FA1225B11T7-96	115	50/60	56.8/62.9	3.4/4.1	35.5/37.4	2,100/2,400	120/110	11/10	B,S	③/④
FA1225B11T9-96	115	50/60	60.9/68.0	3.6/4.4	37.4/39.4	2,200/2,500	140/120	13/11	B,S	⑤/⑥
FA1225B22T5-96	※ 230	50/60	50.8/53.8	2.6/2.8	29.6/31.5	2,000/2,200	60/50	11/9	B,S	①/②
FA1225B22T7-96	※ 230	50/60	56.8/62.9	3.4/4.1	35.5/37.4	2,100/2,300	76/64	14/12	B,S	③/④
FA1225B22T9-96	※ 230	50/60	60.9/68.0	3.6/4.4	37.4/39.4	2,200/2,400	80/70	15/13	B,S	⑤/⑥

- For "Sleeve" bearing version, change the "B" in the model number to "S".
- For "Wire Lead" version, change the "T" in the model number to "W".
- If model depicts "※", UL approvals can be implemented upon request.

Specifications are subject to change without notice



unit: mm



AC AXIAL FAN 120x120x38mm



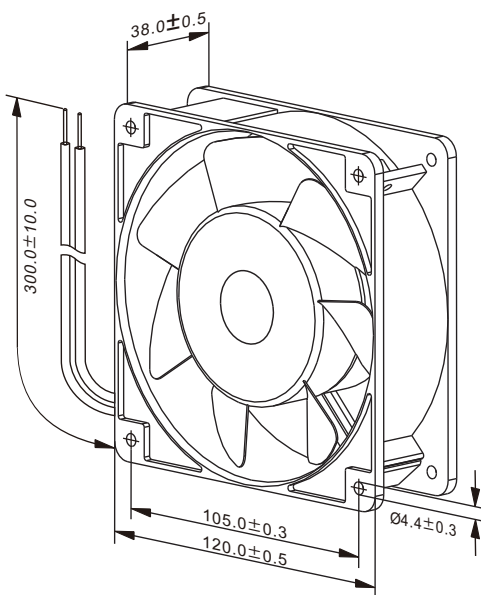
Housing: Die-Cast Aluminum, Painted Black
Blade: Thermoplastic PBT, UL 94V-0
Insulation Resistance: 100MΩ, 500VDC/min between bare wire and frame
Dielectric Strength: 1500VAC for one minute
Operation Temperature: -10°C~70°C(Humidity 35%-85%RH)
Storage Temperature: -40°C~85°C(Humidity 35%-85%RH)
Motor Protection: Thermally Protected
Weight: 504 g **Packing:** 40PCS/CTN



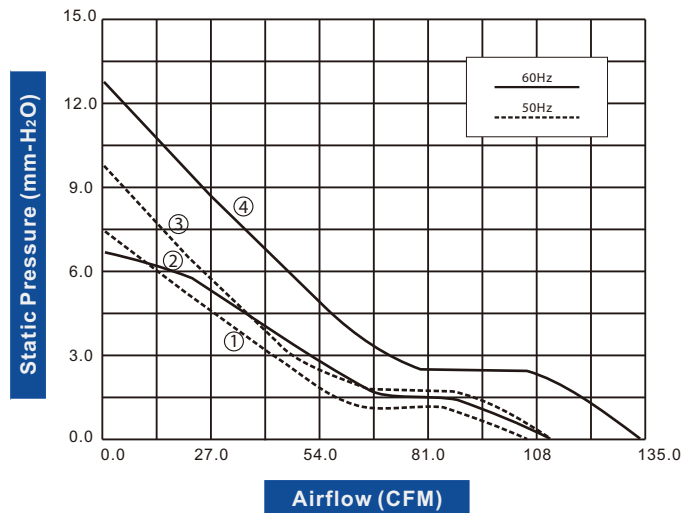
Model Number	Voltage (VAC)	Frequency (Hz)	AirFlow (CFM)	Stat.Pres. (mm-H ₂ O)	Noise (dBA)	Speed (RPM)	Current (mA)	Power (W)	Available Bearing	Curves
FA1238B11T7C-31	115	50/60	105.6/110.6	7.4/6.6	38.4/42.4	2,550/2,800	150/160	13/14	B,S	①/②
FA1238B11T9C-31	115	50/60	110.6/132.0	9.7/12.7	42.4/46.3	2,800/3,300	170/180	22/22	B,S	③/④
FA1238B22T7C-31	230	50/60	105.6/110.6	7.4/6.6	38.4/42.4	2,550/2,800	80/90	13/14	B,S	①/②
FA1238B22T9C-31	230	50/60	110.6/132.0	9.7/12.7	42.4/46.3	2,800/3,300	100/110	21/21	B,S	③/④

- For "Sleeve" bearing version, change the "B" in the model number to "S".
- For "Wire Lead" version, change the "T" in the model number to "W".

Specifications are subject to change without notice



unit: mm



AC AXIAL FAN 120x120x38mm



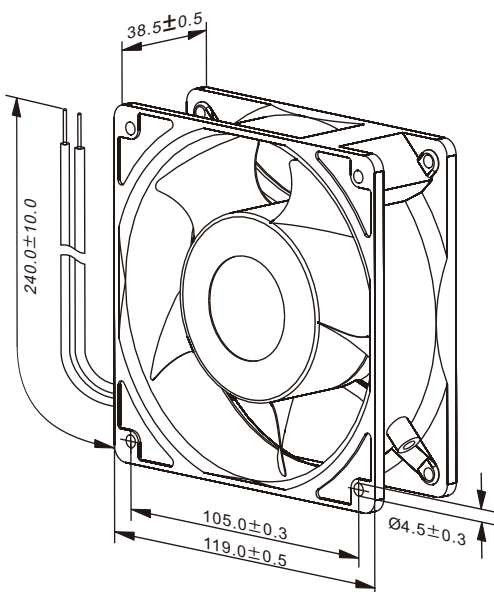
Housing: Die-Cast Aluminum, Painted Black
Blade: Thermoplastic PBT, UL 94V-0
Insulation Resistance: 100M Ω , 500VDC/min between bare wire and frame
Dielectric Strength: 1500VAC for one minute
Operation Temperature: -20°C~70°C(Humidity 35%-85%RH)
Storage Temperature: -40°C~85°C(Humidity 35%-85%RH)
Motor Protection: Impedance Protected
Weight: 515 g **Packing:** 40PCS/CTN



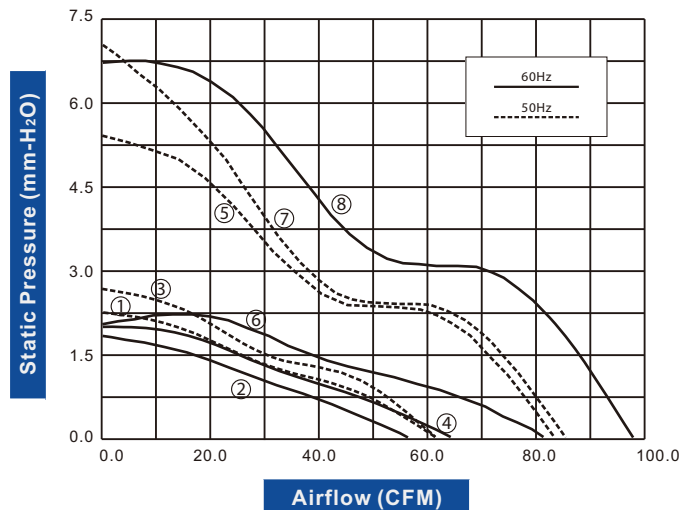
Model Number	Voltage (VAC)	Frequency (Hz)	Air Flow (CFM)	Stat.Pres. (mm-H ₂ O)	Noise (dBA)	Speed (RPM)	Current (mA)	Power (W)	Available Bearing	Curves
FA1238B11T1-51	115	50/60	61.0/56.0	2.3/1.8	34.0/33.0	1,900/1,700	80/70	7/6	B,S	①/②
FA1238B11T3-51	115	50/60	61.0/64.0	2.7/2.1	34.0/35.0	2,000/1,900	130/110	11/10	B,S	③/④
FA1238B11T5-51	115	50/60	83.0/81.0	5.2/2.2	43.0/42.0	2,500/2,500	140/130	11/11	B,S	⑤/⑥
FA1238B11T7-51	115	50/60	85.0/97.0	7.1/6.7	44.0/48.0	2,600/3,000	260/210	20/16	B,S	⑦/⑧
FA1238B22T1-51	230	50/60	59.0/59.0	2.3/1.8	33.0/33.0	1,900/1,800	50/40	9/8	B,S	①/②
FA1238B22T3-51	230	50/60	61.0/64.0	2.7/2.1	34.0/35.0	1,900/2,000	70/60	12/10	B,S	③/④
FA1238B22T5-51	230	50/60	83.0/81.0	5.2/2.2	43.0/42.0	2,500/2,500	70/60	12/11	B,S	⑤/⑥
FA1238B22T7-51	230	50/60	85.0/97.0	7.1/6.7	44.0/48.0	2,700/3,100	130/100	20/16	B,S	⑦/⑧

- For "Sleeve" bearing version, change the "B" in the model number to "S".
- For "Wire Lead" version, change the "T" in the model number to "W".

Specifications are subject to change without notice



unit: mm



AC AXIAL FAN 120x120x38mm



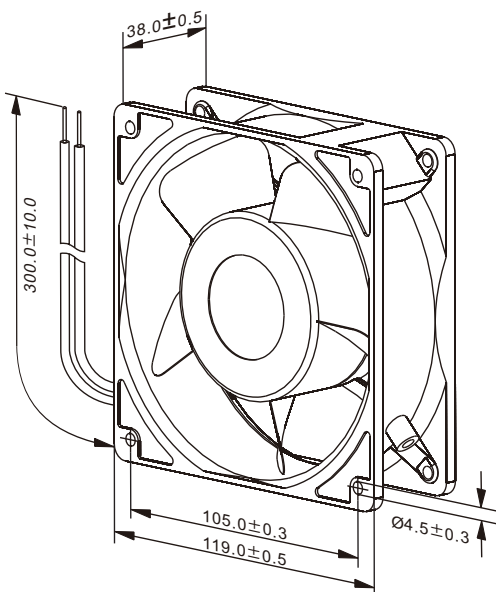
Housing: Die-Cast Aluminum, Painted Black
Blade: Thermoplastic PBT, UL 94V-0
Insulation Resistance: 100M Ω , 500VDC/min between bare wire and frame
Dielectric Strength: 1500VAC for one minute
Operation Temperature: -20°C~70°C(Humidity 35%-85%RH)
Storage Temperature: -40°C~85°C(Humidity 35%-85%RH)
Motor Protection: Impedance Protected
Weight: 515 g **Packing:** 40PCS/CTN



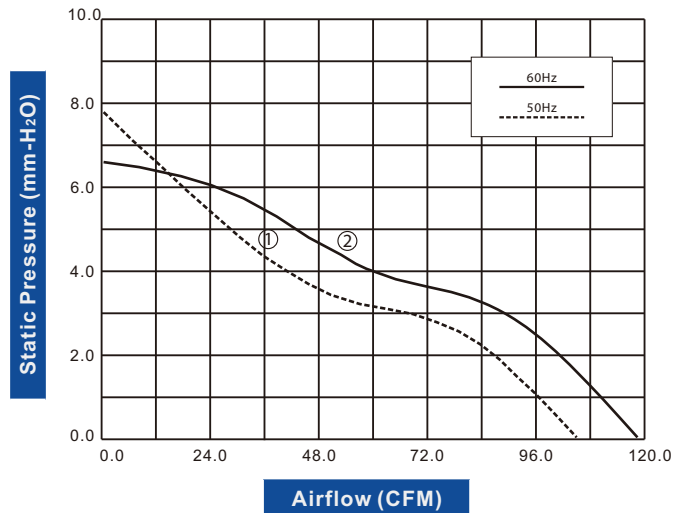
Model Number	Voltage (VAC)	Frequency (Hz)	AirFlow (CFM)	Stat.Pres. (mm-H ₂ O)	Noise (dBA)	Speed (RPM)	Current (mA)	Power (W)	Available Bearing	Curves
FA1238B11T7-52	115	50/60	103.0/117.0	7.8/6.6	43.0/47.0	2,700/3,000	220/180	16/14	B,S	①/②
FA1238B22T7-52	230	50/60	103.0/117.0	7.8/6.6	43.0/47.0	2,700/3,100	110/90	16/14	B,S	①/②

- For "Sleeve" bearing version, change the "B" in the model number to "S".
- For "Wire Lead" version, change the "T" in the model number to "W".

Specifications are subject to change without notice



unit: mm



AC AXIAL FAN 120x120x38mm



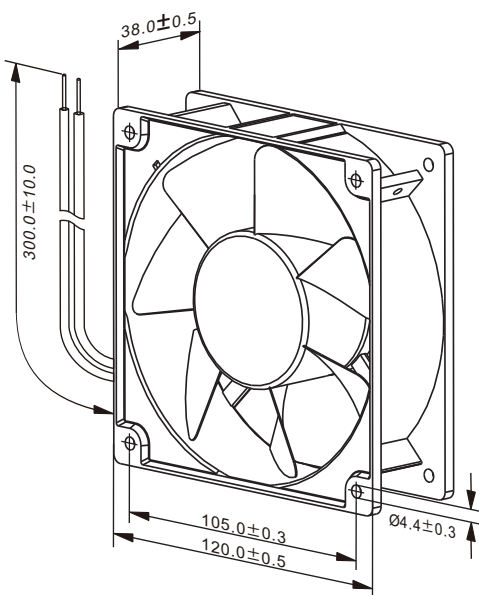
Housing: Die-Cast Aluminum, Painted Black
Blade: Thermoplastic PBT, UL 94V-0
Insulation Resistance: 100M.Ω, 500VDC/min between bare wire and frame
Dielectric Strength: 1500VAC for one minutue
Operation Temperature: -10°C-70°C(Humidity 35%-85%RH)
Storage Temperature: -40°C-85°C(Humidity 35%-85%RH)
Motor Protection: Impedance Protected
Weight: 560 g **Packing:** 40PCS/CTN



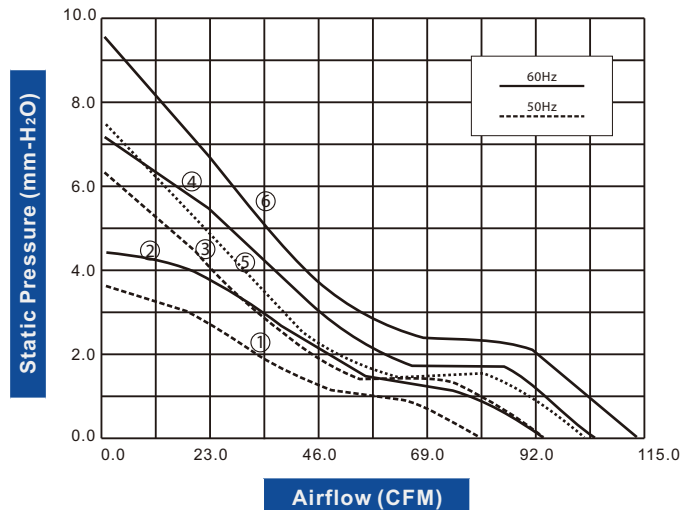
Model Number	Voltage (VAC)	Frequency (Hz)	AirFlow (CFM)	Stat.Pres. (mm-H ₂ O)	Noise (dBA)	Speed (RPM)	Current (mA)	Power (W)	Available Bearing	Curves
FA1238B11T3-61	115	50/60	79.2/92.4	3.6/4.4	34.5/37.4	2,100/2,450	200/200	14/13	B,S	①/②
FA1238B11T5-61	115	50/60	92.4/101.5	6.3/7.1	38.4/41.4	2,450/2,700	250/250	19/17	B,S	③/④
FA1238B11T7-61	115	50/60	100.5/113.7	7.5/9.4	39.4/43.3	2,600/3,000	300/300	29/24	B,S	⑤/⑥
FA1238B22T3-61	230	50/60	79.2/92.4	3.6/4.4	34.5/37.4	2,100/2,450	100/100	12/11	B,S	①/②
FA1238B22T5-61	230	50/60	92.4/101.5	6.2/7.1	38.4/41.4	2,450/2,700	160/160	16/15	B,S	③/④
FA1238B22T7-61	230	50/60	100.5/113.7	7.5/9.4	39.4/43.3	2,600/3,000	200/200	28/24	B,S	⑤/⑥

- For "Sleeve" bearing version, change the "B" in the model number to "S".
- For "Wire Lead" version, change the "T" in the model number to "W".

Specifications are subject to change without notice



unit: mm



AC AXIAL FAN 120x120x38mm



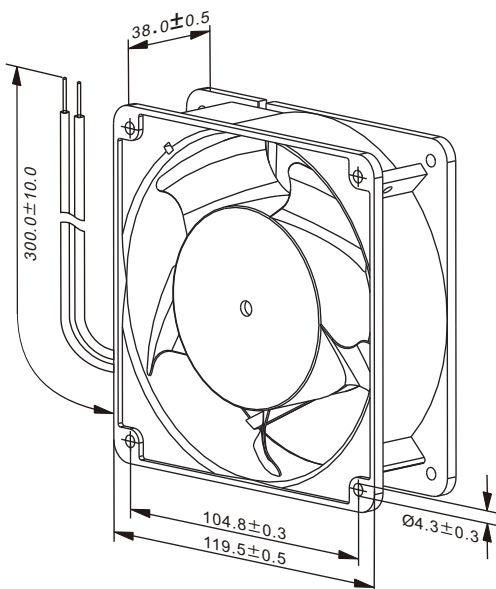
Housing: Die-Cast Aluminum, Painted Black
Blade: Thermoplastic PBT, UL 94V-0
Insulation Resistance: 100M Ω , 500VDC/min between bare wire and frame
Dielectric Strength: 1500VAC for one minute
Operation Temperature: -10°C~70°C(Humidity 35%-85%RH)
Storage Temperature: -40°C~85°C(Humidity 35%-85%RH)
Motor Protection: Impedance Protected
Weight: 520 g **Packing:** 40PCS/CTN



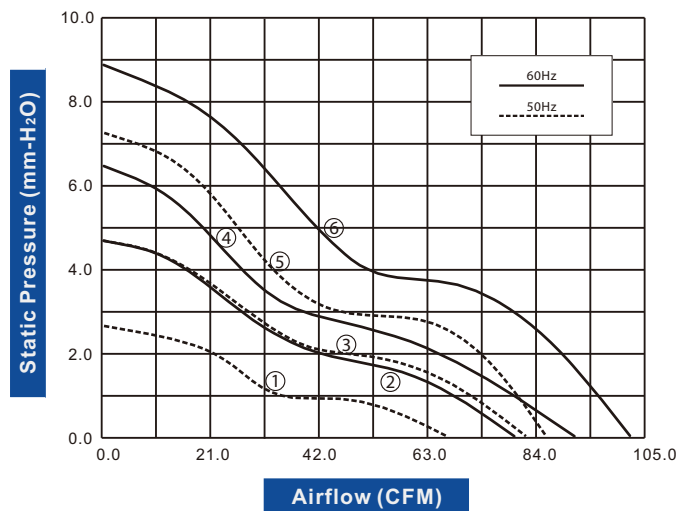
Model Number	Voltage (VAC)	Frequency (Hz)	AirFlow (CFM)	Stat.Pres. (mm-H ₂ O)	Noise (dBA)	Speed (RPM)	Current (mA)	Power (W)	Available Bearing	Curves
FA1238B11T3-92	115	50/60	66.0/79.2	2.5/4.7	34.5/39.4	1,900/2,500	120/100	11/9	B,S	①/②
FA1238B11T5-92	115	50/60	81.2/91.4	4.7/6.2	38.4/42.4	2,500/2,800	170/130	14/10	B,S	③/④
FA1238B11T7-92	115	50/60	85.3/101.5	7.2/8.7	44.3/50.2	2,600/3,000	280/210	25/19	B,S	⑤/⑥
FA1238B22T3-92	230	50/60	66.0/79.2	2.5/4.7	34.5/39.4	1,900/2,500	60/50	12/10	B,S	①/②
FA1238B22T5-92	230	50/60	81.2/91.4	4.7/6.2	38.4/42.4	2,500/2,800	90/70	16/11	B,S	③/④
FA1238B22T7-92	230	50/60	85.3/101.5	7.2/8.7	44.3/50.2	2,600/3,000	130/90	21/15	B,S	⑤/⑥

- For "Sleeve" bearing version, change the "B" in the model number to "S".
- For "Wire Lead" version, change the "T" in the model number to "W".

Specifications are subject to change without notice



unit: mm



AC AXIAL FAN 120x120x38mm



Housing: Die-Cast Aluminum, Painted Black

Blade: Thermoplastic PBT, UL 94V-0

Insulation Resistance: 100M Ω , 500VDC/min between bare wire and frame

Dielectric Strength: 1500VAC for one minute

Operation Temperature: -10°C~70°C(Humidity 35%-85%RH)

Storage Temperature: -40°C~85°C(Humidity 35%-85%RH)

Motor Protection: Impedance Protected

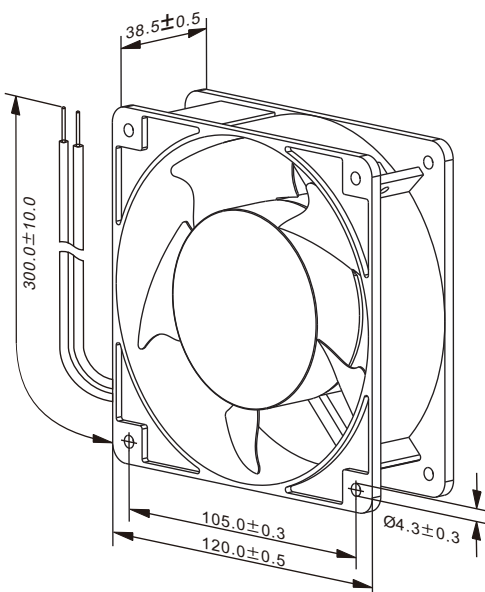
Weight: 520 g **Packing:** 40PCS/CTN



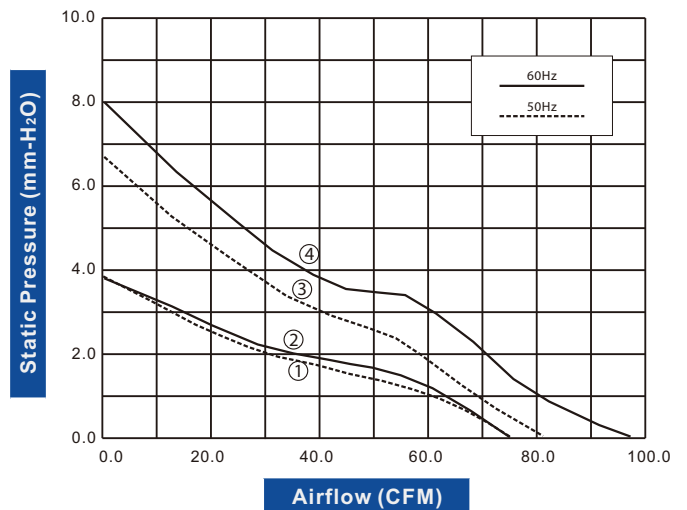
Model Number	Voltage (VAC)	Frequency (Hz)	AirFlow (CFM)	Stat.Pres. (mm-H ₂ O)	Noise (dBA)	Speed (RPM)	Current (mA)	Power (W)	Available Bearing	Curves
FA1238B11T5-96	115	50/60	75.1/75.1	3.9/3.9	29.6/34.5	2,300/2,300	150/130	12/10	B,S	①/②
FA1238B11T7-96	115	50/60	80.2/95.4	6.7/8.0	39.4/44.3	2,600/2,900	260/220	19/16	B,S	③/④
FA1238B22T5-96	230	50/60	75.1/63.9	3.9/3.4	33.5/29.6	2,300/2,100	60/50	10/9	B,S	①/②
FA1238B22T7-96	230	50/60	80.2/91.4	6.7/7.5	39.4/46.3	2,600/2,800	100/90	15/13	B,S	③/④

- For "Sleeve" bearing version, change the "B" in the model number to "S".
- For "Wire Lead" version, change the "T" in the model number to "W".

Specifications are subject to change without notice



unit: mm



AC AXIAL FAN 120x120x38mm



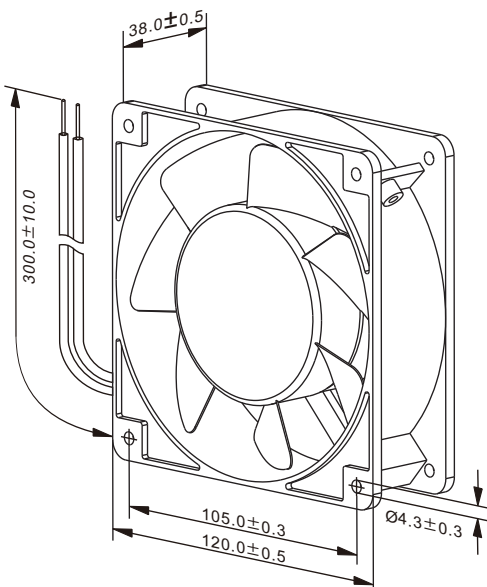
Housing: Die-Cast Aluminum, Painted Black
Blade: Thermoplastic PBT, UL 94V-0
Insulation Resistance: 100M Ω , 500VDC/min between bare wire and frame
Dielectric Strength: 1500VAC for one minutue
Operation Temperature: -10°C~70°C(Humidity 35%-85%RH)
Storage Temperature: -40°C~85°C(Humidity 35%-85%RH)
Motor Protection: Impedance Protected
Weight: 520 g **Packing:** 40PCS/CTN



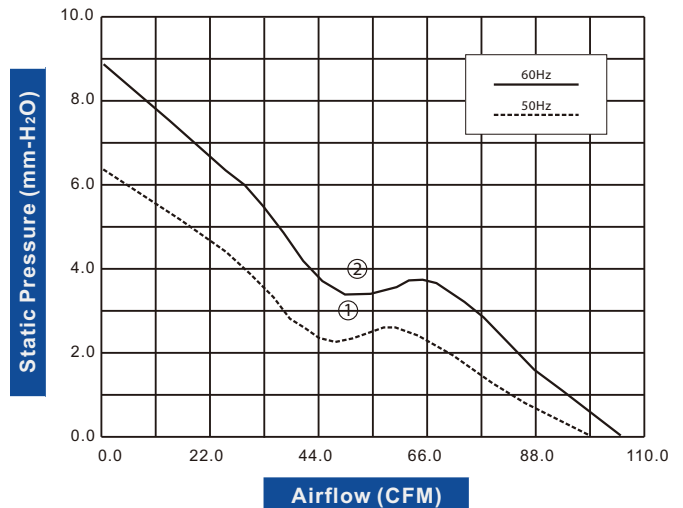
Model Number	Voltage (VAC)	Frequency (Hz)	AirFlow (CFM)	Stat.Pres. (mm-H ₂ O)	Noise (dBA)	Speed (RPM)	Current (mA)	Power (W)	Available Bearing	Curves
FA1238B11T7-97	115	50/60	99.0/104.5	6.4/8.9	41.0/44.0	2,500/2,800	350/260	25/19	B,S	①/②
FA1238B22T7-97	230	50/60	99.0/104.5	6.4/8.9	41.0/44.0	2,500/2,800	130/110	20/17.5	B,S	①/②

- For "Sleeve" bearing version, change the "B" in the model number to "S".
- For "Wire Lead" version, change the "T" in the model number to "W".

Specifications are subject to change without notice



unit: mm



AC AXIAL FAN 127x127x38mm

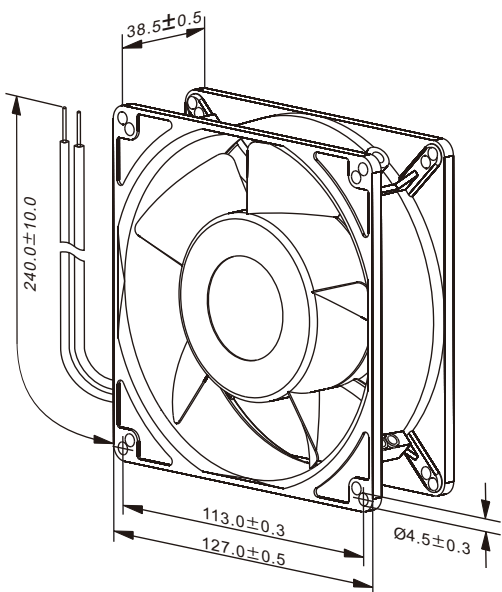


Housing: Die-Cast Aluminum, Painted Black
Blade: Thermoplastic PBT, UL 94V-0
Insulation Resistance: 100M Ω , 500VDC/min between bare wire and frame
Dielectric Strength: 1500VAC for one minute
Operation Temperature: -20°C-70°C(Humidity 35%-85%RH)
Storage Temperature: -40°C-85°C(Humidity 35%-85%RH)
Motor Protection: Impedance Protected
Weight: 562 g **Packing:** 40PCS/CTN

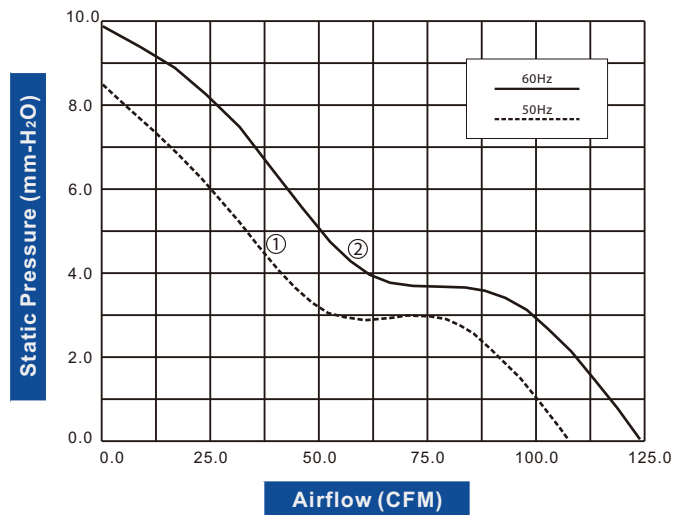
Model Number	Voltage (VAC)	Frequency (Hz)	AirFlow (CFM)	Stat.Pres. (mm-H ₂ O)	Noise (dBA)	Speed (RPM)	Current (mA)	Power (W)	Available Bearing	Curves
FA1238B11T7-53	115	50/60	107.0/123.0	8.4/9.8	47.0/50.0	2,700/3,100	320/260	24/20	B,S	①/②
FA1238B22T7-53	230	50/60	107.0/123.0	8.4/9.8	47.0/50.0	2,700/3,100	160/130	25/20	B,S	①/②

- For "Sleeve" bearing version, change the "B" in the model number to "S".
- For "Wire Lead" version, change the "T" in the model number to "W".

Specifications are subject to change without notice



unit: mm



AC AXIAL FAN
160x160x62mm
(Reverse Blow)

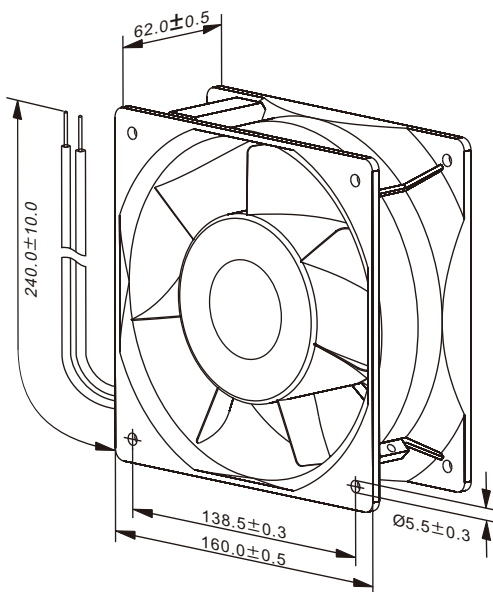


Housing: Die-Cast Aluminum, Painted Black
Blade: Injection Molded of Flame Retardant Polycarbonate, Black
Insulation Resistance: 100M Ω , 500VDC/min between bare wire and frame
Dielectric Strength: 1500VAC for one minutue
Operation Temperature: -20°C-70°C(Humidity 35%-85%RH)
Storage Temperature: -40°C-85°C(Humidity 35%-85%RH)
Motor Protection: Thermally Protected
Weight: 1400 g **Packing:** 12PCS/CTN

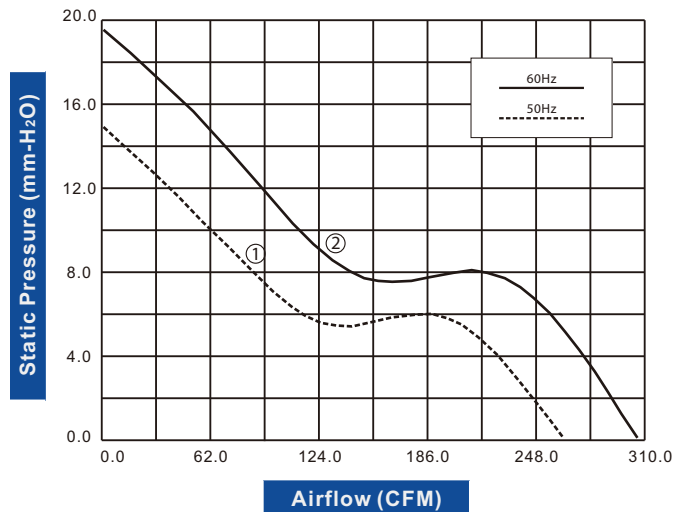
Model Number	Voltage (VAC)	Frequency (Hz)	AirFlow (CFM)	Stat.Pres. (mm-H ₂ O)	Noise (dBA)	Speed (RPM)	Current (mA)	Power (W)	Available Bearing	Curves
FA1662B11T7C-51	115	50/60	261.0/307.0	14.7/19.6	60.0/64.0	2,900/3,400	450/500	51/58	B	①/②
FA1662B22T7C-51	230	50/60	261.0/305.0	14.7/19.6	60.0/64.0	2,900/3,400	230/250	51/57	B	①/②

• For "Wire Lead" version, change the "T" in the model number to "W".

Specifications are subject to change without notice



unit: mm



AC AXIAL FAN 160x160x62mm

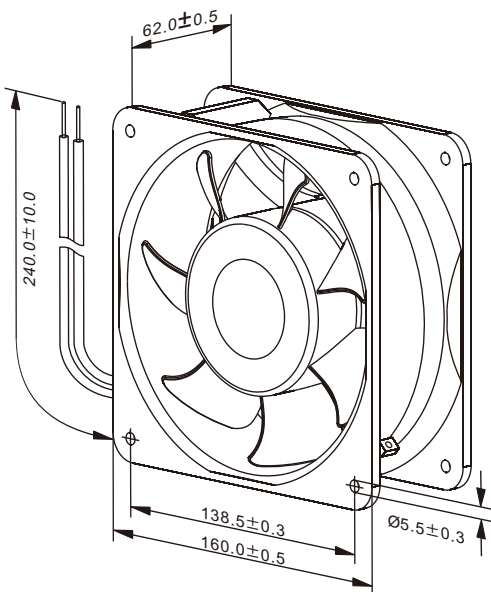


Housing: Die-Cast Aluminum, Painted Black
Blade: Injection Molded of Flame Retardant Polycarbonate, Black
Insulation Resistance: 100M Ω , 500VDC/min between bare wire and frame
Dielectric Strength: 1500VAC for one minutue
Operation Temperature: -20°C-70°C(Humidity 35%-85%RH)
Storage Temperature: -40°C-85°C(Humidity 35%-85%RH)
Motor Protection: Thermally Protected
Weight: 1400 g **Packing:** 12PCS/CTN

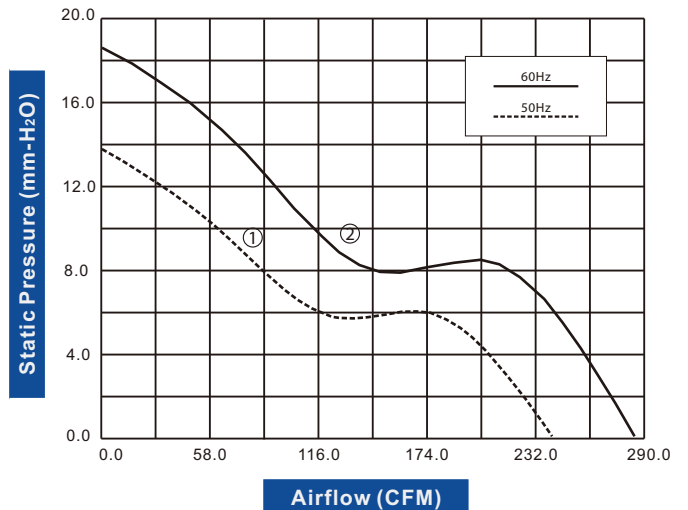
Model Number	Voltage (VAC)	Frequency (Hz)	AirFlow (CFM)	Stat.Pres. (mm-H ₂ O)	Noise (dBA)	Speed (RPM)	Current (mA)	Power (W)	Available Bearing	Curves
FA1662B11T7C-52	115	50/60	241.0/285.0	13.6/18.7	51.0/56.0	2,900/3,400	450/500	51/57	B	①/②
FA1662B22T7C-52	230	50/60	239.0/288.0	13.6/18.7	51.0/56.0	2,900/3,500	230/240	50/55	B	①/②

• For "Wire Lead" version, change the "T" in the model number to "W".

Specifications are subject to change without notice



unit: mm



AC AXIAL FAN 170x150x38mm



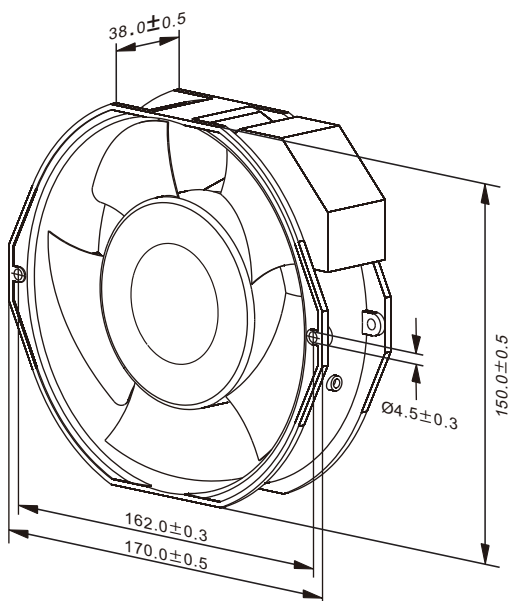
Housing: Die-Cast Aluminum, Painted Black
Blade: Thermoplastic PBT, UL 94V-0
Insulation Resistance: 100MΩ, 500VDC/min between bare wire and frame
Dielectric Strength: 1500VAC for one minute
Operation Temperature: -10°C~70°C(Humidity 35%-85%RH)
Storage Temperature: -40°C~85°C(Humidity 35%-85%RH)
Motor Protection: Thermally Protected
Weight: 760 g **Packing:** 20PCS/CTN



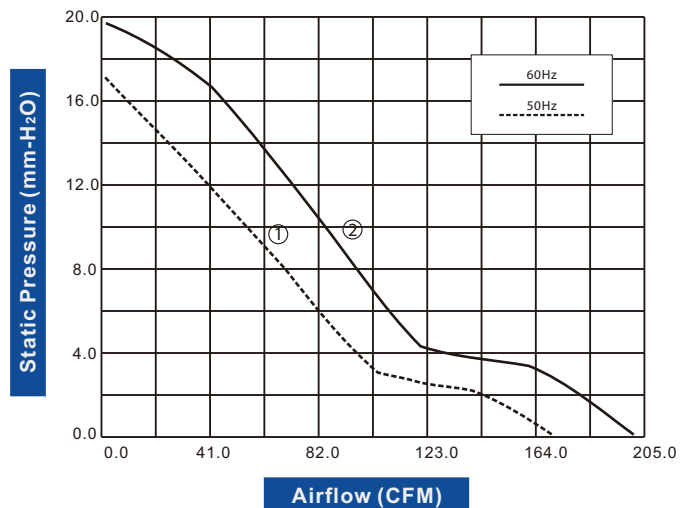
Model Number	Voltage (VAC)	Frequency (Hz)	Air Flow (CFM)	Stat.Pres. (mm-H ₂ O)	Noise (dBA)	Speed (RPM)	Current (mA)	Power (W)	Available Bearing	Curves
FA1738B11T7C-31	115	50/60	168.5/201.0	17.0/19.8	56.1/60.1	2,850/3,300	250/260	30/31	B	①/②
FA1738B22T7C-31	230	50/60	168.5/201.0	17.0/19.8	56.1/60.1	2,850/3,300	160/170	36/35	B	①/②

• For "Wire Lead" version, change the "T" in the model number to "W".

Specifications are subject to change without notice



unit: mm



AC AXIAL FAN 172x150x38mm



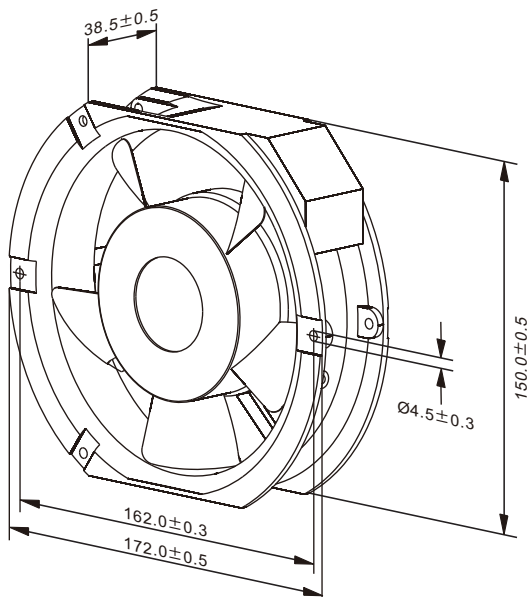
Housing: Die-Cast Aluminum, Painted Black
Blade: Thermoplastic PBT, UL 94V-0
Insulation Resistance: 100M Ω , 500VDC/min between bare wire and frame
Dielectric Strength: 1500VAC for one minute
Operation Temperature: -20°C~70°C(Humidity 35%-85%RH)
Storage Temperature: -40°C~85°C(Humidity 35%-85%RH)
Motor Protection: Thermally Protected
Weight: 693 g **Packing:** 20PCS/CTN



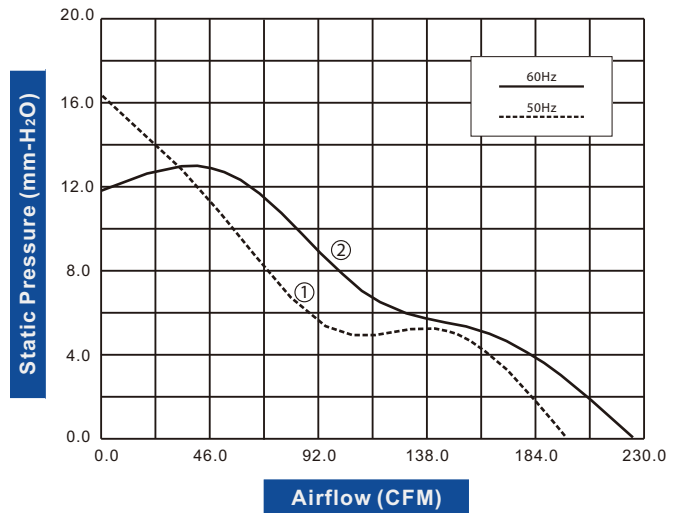
Model Number	Voltage (VAC)	Frequency (Hz)	Air Flow (CFM)	Stat.Pres. (mm-H ₂ O)	Noise (dBA)	Speed (RPM)	Current (mA)	Power (W)	Available Bearing	Curves
FA1738B11T7C-51	115	50/60	198.0/225.0	16.3/11.9	58.0/62.0	2,900/3,300	220/290	25/32	B	①/②
FA1738B22T7C-51	230	50/60	198.0/225.0	16.3/11.9	58.0/62.0	2,900/3,400	110/140	25/31	B	①/②

• For "Wire Lead" version, change the "T" in the model number to "W".

Specifications are subject to change without notice



unit: mm



AC AXIAL FAN 172x151x38mm

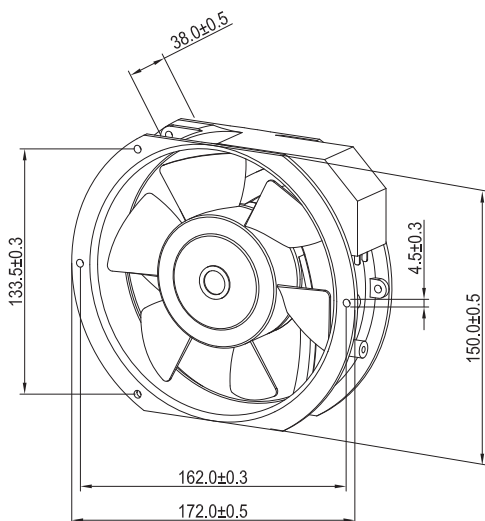


Housing: Aluminum Housing
Blade: Steel Impeller
Insulation Resistance: 100MΩ, 500VDC/min between bare wire and frame
Dielectric Strength: 1500VAC for one minute
Operation Temperature: -20°C~70°C(Humidity 35%-85%RH)
Storage Temperature: -40°C~80°C(Humidity 35%-85%RH)
Motor Protection: Thermally Protected
Weight: 820 g **Packing:** 12PCS/CTN

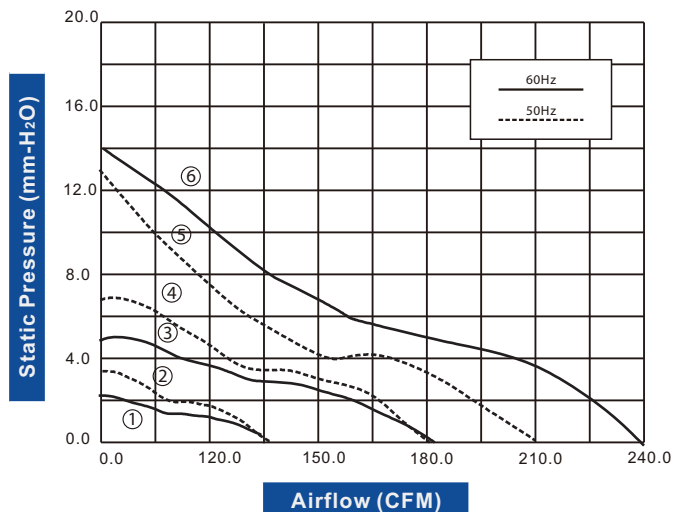


Model Number	Voltage (VAC)	Frequency (Hz)	Air Flow (CFM)	Stat.Pres. (mm-H ₂ O)	Noise (dBA)	Speed (RPM)	Current (mA)	Power (W)	Available Bearing	Curves
FA1738B11T3C-55 *	115	50/60	140.1/128.9	3.1/2.7	45.3/34.5	1,750/1,750	70/70	8/9	B	①/②
FA1738B11T5C-55 *	115	50/60	185.7/187.8	6.4/5.0	50.2/50.2	2,400/2,400	130/160	14.5/17	B	③/④
FA1738B11T7C-55	115	50/60	213.2/243.6	13.7/14.7	52.2/58.1	2,700/3,100	250/210	27/25	B	⑤/⑥
FA1738B22T3C-55 *	230	50/60	140.1/128.9	3.1/2.7	46.3/44.3	1,850/1,750	40/50	10/11	B	①/②
FA1738B22T5C-55 *	230	50/60	185.7/187.8	6.4/5.0	50.2/50.2	2,400/2,400	80/100	16.4/19	B	③/④
FA1738B22T7C-55	230	50/60	213.2/243.6	13.7/14.7	52.2/58.1	2,700/3,100	110/120	26/27	B	⑤/⑥

- For "Wire Lead" version, change the "T" in the model number to "W".
- If model depicts "*", UL approvals can be implemented upon request.



unit: mm



AC AXIAL FAN 172x150x38mm

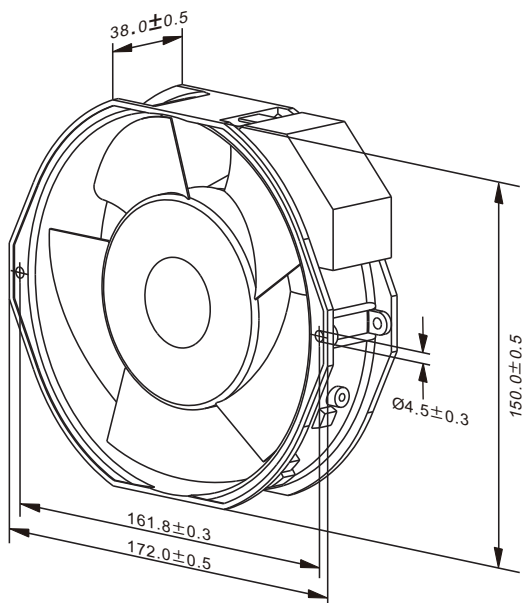


Housing: Die-Cast Aluminum, Painted Black
Blade: Thermoplastic PBT, UL 94V-0
Insulation Resistance: 100MΩ, 500VDC/min between bare wire and frame
Dielectric Strength: 1500VAC for one minute
Operation Temperature: -10°C~70°C(Humidity 35%-85%RH)
Storage Temperature: -40°C~85°C(Humidity 35%-85%RH)
Motor Protection: Impedance Protected
Weight: 920 g **Packing:** 20PCS/CTN

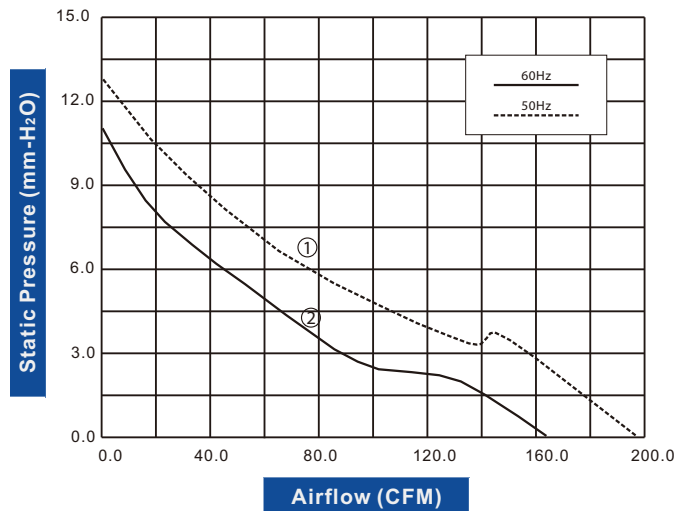
Model Number	Voltage (VAC)	Frequency (Hz)	AirFlow (CFM)	Stat.Pres. (mm-H ₂ O)	Noise (dBA)	Speed (RPM)	Current (mA)	Power (W)	Available Bearing	Curves
FA1738B11T5-96	115	50/60	107.6/97.6	8.2/7.2	45.3/42.4	2,350/2,100	310/300	27/26	B,S	①/②
FA1738B22T5-96	230	50/60	124.8/117.7	9.0/8.5	49.3/47.3	2,500/2,400	180/170	29/27	B,S	①/②

- For "Sleeve" bearing version, change the "B" in the model number to "S".
- For "Wire Lead" version, change the "T" in the model number to "W".

Specifications are subject to change without notice



unit: mm



AC AXIAL FAN 172x150x51mm



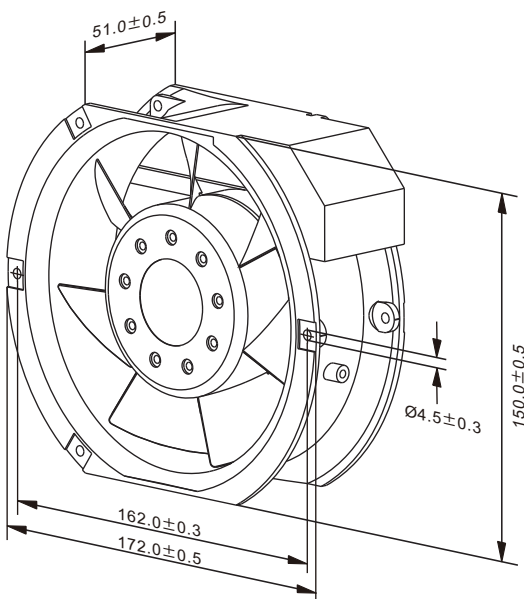
Housing: Die-Cast Aluminum, Painted Black
Blade: Thermoplastic PBT, UL 94V-0
Insulation Resistance: 100MΩ, 500VDC/min between bare wire and frame
Dielectric Strength: 1500VAC for one minutue
Operation Temperature: -10°C~65°C(Humidity 35%-85%RH)
Storage Temperature: -40°C~85°C(Humidity 35%-85%RH)
Motor Protection: Thermally Protected
Weight: 970 g **Packing:** 16PCS/CTN



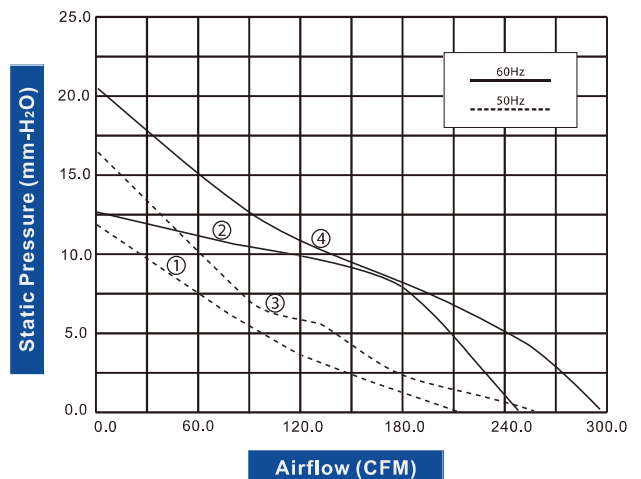
Model Number	Voltage (VAC)	Frequency (Hz)	AirFlow (CFM)	Stat.Pres. (mm-H ₂ O)	Noise (dBA)	Speed (RPM)	Current (mA)	Power (W)	Available Bearing	Curves
FA1751B11T5C-31 ※	115	50/60	213.2/248.7	12.2/13.2	53.8/55.8	2500/2800	260/290	39/40	B	①/②
FA1751B11T7C-31 ※	115	50/60	253.8/297.4	16.2/20.3	55.2/60.1	2,850/3,300	350/400	46/50	B	③/④
FA1751B22T5C-31	230	50/60	213.2/248.7	12.2/12.2	53.8/55.8	2500/2800	140/150	42/43	B	①/②
FA1751B22T7C-31	230	50/60	253.8/297.4	16.2/20.3	55.2/60.1	2,850/3,300	200/220	46/50	B	③/④

- For "Wire Lead" version, change the "T" in the model number to "W".
- If model depicts "※", TUV approvals can be implemented upon request.

Specifications are subject to change without notice



unit: mm



AC AXIAL FAN 172x151x51mm



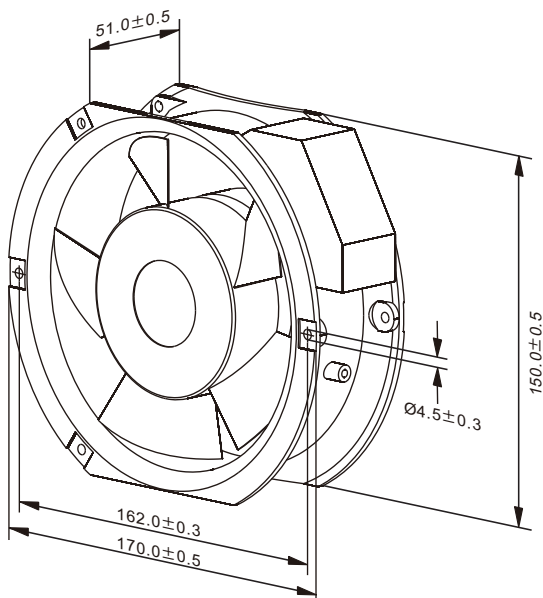
Housing: Die-Cast Aluminum, Painted Black
Blade: Thermoplastic PBT, UL 94V-0
Insulation Resistance: 100M Ω , 500VDC/min between bare wire and frame
Dielectric Strength: 1500VAC for one minute
Operation Temperature: -20°C~70°C(Humidity 35%-85%RH)
Storage Temperature: -40°C~85°C(Humidity 35%-85%RH)
Motor Protection: Thermally Protected
Weight: 875 g **Packing:** 20PCS/CTN



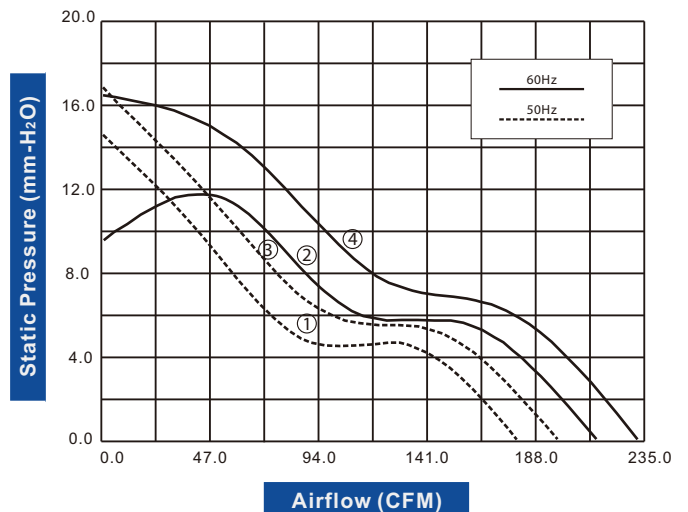
Model Number	Voltage (VAC)	Frequency (Hz)	AirFlow (CFM)	Stat.Pres. (mm-H ₂ O)	Noise (dBA)	Speed (RPM)	Current (mA)	Power (W)	Available Bearing	Curves
FA1751B11T7-52	115	50/60	178.0/210.0	14.3/9.4	54.0/58.0	2,800/3,300	760/530	47/36	B	①/②
FA1751B22T7-52	230	50/60	183.0/212.0	14.3/9.4	54.0/58.0	2,800/3,300	410/290	51/39	B	①/②
FA1751B11T7C-52	115	50/60	198.0/226.0	16.7/16.3	57.0/61.0	2,900/3,300	220/280	25/31	B	③/④
FA1751B22T7C-52	230	50/60	198.0/230.0	16.7/16.3	57.0/61.0	2,900/3,300	110/150	25/32	B	③/④

• For "Wire Lead" version, change the "T" in the model number to "W".

Specifications are subject to change without notice



unit: mm



AC AXIAL FAN 175x151x51mm

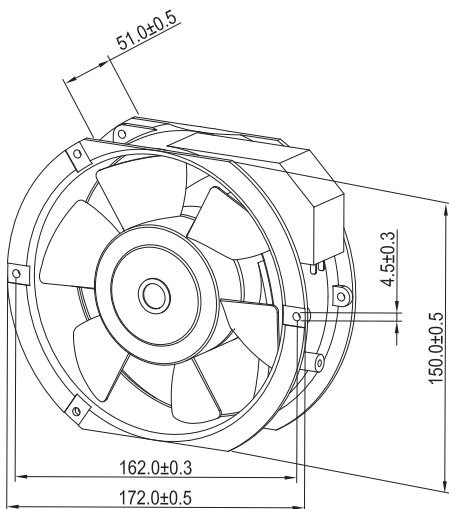


Housing: Aluminum Housing
Blade: Steel Impeller
Insulation Resistance: 100MΩ, 500VDC/min between bare wire and frame
Dielectric Strength: 1500VAC for one minute
Operation Temperature: -20°C+70°C(Humidity 35%-85%RH)
Storage Temperature: -40°C+80°C(Humidity 35%-85%RH)
Motor Protection: Thermally Protected
Weight: 940/1080 g **Packing:** 12PCS/CTN

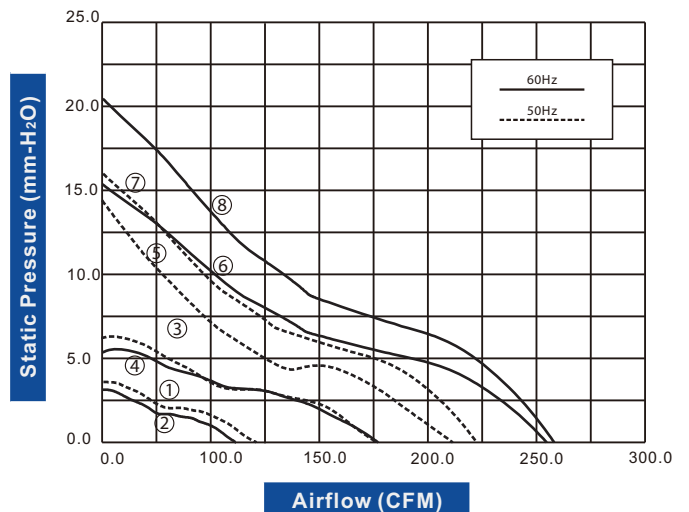


Model Number	Voltage (VAC)	Frequency (Hz)	AirFlow (CFM)	Stat.Pres. (mm-H ₂ O)	Noise (dBA)	Speed (RPM)	Current (mA)	Power (W)	Available Bearing	Curves
FA1751B11T3C-55 ※	115	50/60	137.0/124.8	3.3/2.9	46.3/44.3	1,800/1,700	70/70	8/9	B	①/②
FA1751B11T5C-55 ※	115	50/60	176.6/176.6	6.7/5.3	50.2/50.2	2,400/2,350	120/150	14/17	B	③/④
FA1751B11T7C-55	115	50/60	213.2/253.8	14.2/15.7	52.2/58.1	2,700/3,100	250/210	27/25	B	⑤/⑥
FA1751B11T9C-55	115	50/60	223.3/263.9	16.7/20.3	54.2/60.1	2,800/3,300	270/230	26/26	B	⑦/⑧
FA1751B22T3C-55 ※	230	50/60	137.0/124.8	3.5/2.9	46.3/44.3	1,850/1,700	40/50	10/11	B	①/②
FA1751B22T5C-55 ※	230	50/60	176.6/176.6	6.7/5.3	50.2/50.2	2,400/2,350	70/100	16/19	B	③/④
FA1751B22T7C-55	230	50/60	213.2/253.8	14.2/15.7	52.2/58.1	2,700/3,100	110/120	26/27	B	⑤/⑥
FA1751B22T9C-55	230	50/60	223.3/263.9	16.7/20.3	54.2/60.1	2,800/3,300	100/110	23/26	B	⑦/⑧

- For "Wire Lead" version, change the "T" in the model number to "W".
- If model depicts "※", UL approvals can be implemented upon request.



unit: mm



AC AXIAL FAN

Ø 172*51mm

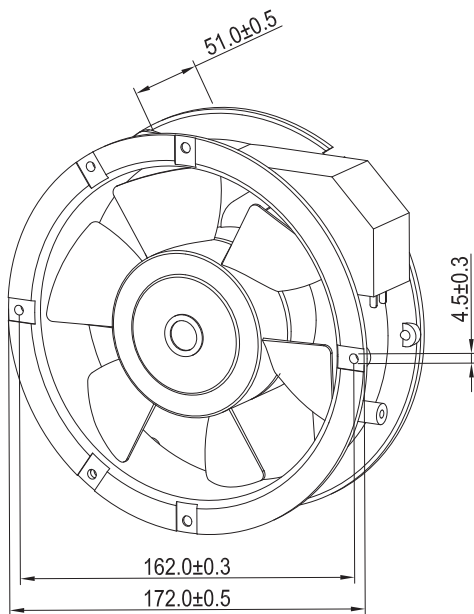


Housing: Aluminum Housing
Blade: Steel Impeller
Insulation Resistance: 100MΩ, 500VDC/min between bare wire and frame
Dielectric Strength: 1500VAC for one minute
Operation Temperature: -20°C+70°C(Humidity 35%-85%RH)
Storage Temperature: -40°C+80°C(Humidity 35%-85%RH)
Motor Protection: Thermally Protected
Weight: 940/1080 g **Packing:** 12PCS/CTN

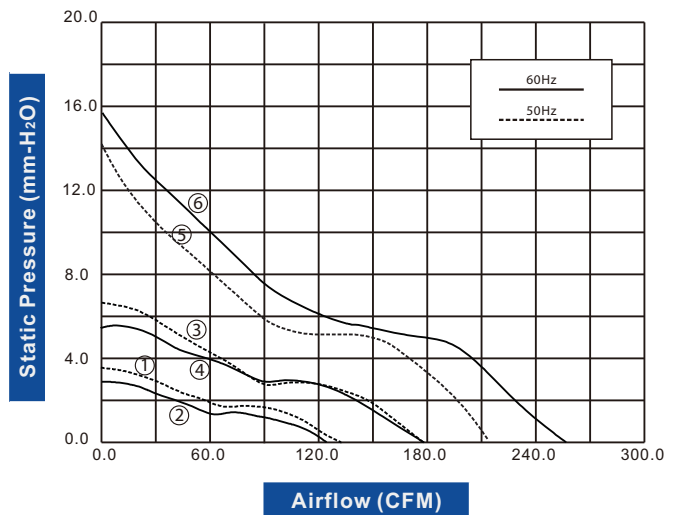


Model Number	Voltage (VAC)	Frequency (Hz)	AirFlow (CFM)	Stat.Pres. (mm-H ₂ O)	Noise (dBA)	Speed (RPM)	Current (mA)	Power (W)	Available Bearing	Curves
FA1751B11T3C-56	※ 115	50/60	137.0/124.8	3.3/2.9	46.3/44.3	1,800/1,700	70/70	8/9	B	①/②
FA1751B11T5C-56	※ 115	50/60	176.6/176.6	6.7/5.3	50.2/50.2	2,400/2,350	120/150	14/17	B	③/④
FA1751B11T7C-56	※ 115	50/60	213.2/253.8	14.2/15.7	52.2/58.1	2,700/3,100	250/210	27/25	B	⑤/⑥
FA1751B11T9C-56	115	50/60	233.5/274.1	16.7/20.3	54.2/61.0	2,800/3,300	270/230	26/26	B	⑤/⑥
FA1751B22T3C-56	※ 230	50/60	137.0/124.8	3.5/2.9	46.3/44.3	1,850/1,700	40/50	10/11	B	①/②
FA1751B22T5C-56	※ 230	50/60	176.6/176.6	6.7/5.3	50.2/50.2	2,400/2,350	70/100	16/19	B	③/④
FA1751B22T7C-56	※ 230	50/60	213.2/253.8	14.2/15.7	52.2/58.1	2,700/3,100	110/120	26/27	B	⑤/⑥
FA1751B22T9C-56	230	50/60	233.5/274.1	16.7/20.3	54.2/61.0	2,800/3,300	100/110	23/26	B	⑤/⑥

- For "Wire Lead" version, change the "T" in the model number to "W".
- If model depicts "※", UL approvals can be implemented upon request.



unit: mm



AC AXIAL FAN 172x150x51mm



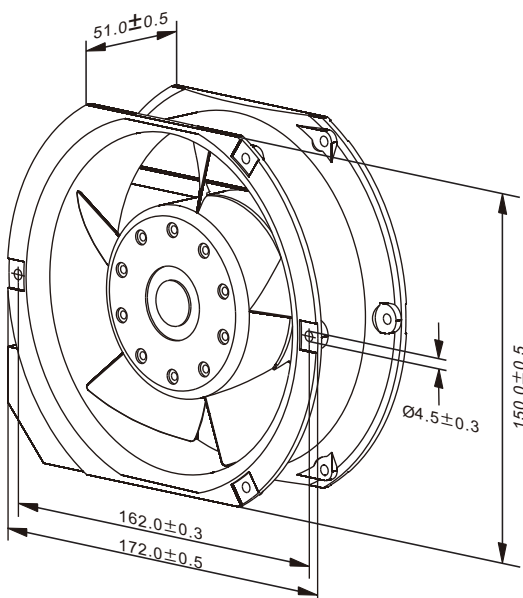
Housing: Die-Cast Aluminum, Painted Black
Blade: Thermoplastic PBT, UL 94V-0
Insulation Resistance: 100MΩ, 500VDC/min between bare wire and frame
Dielectric Strength: 1500VAC for one minute
Operation Temperature: -10°C~70°C(Humidity 35%-85%RH)
Storage Temperature: -40°C~85°C(Humidity 35%-85%RH)
Motor Protection: Impedance Protected
Weight: 880 g **Packing:** 16PCS/CTN



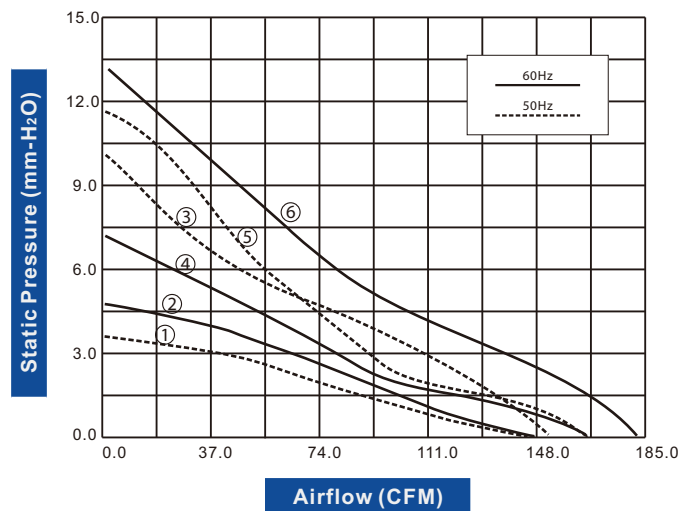
Model Number	Voltage (VAC)	Frequency (Hz)	AirFlow (CFM)	Stat.Pres. (mm-H ₂ O)	Noise (dBA)	Speed (RPM)	Current (mA)	Power (W)	Available Bearing	Curves
FA1751B11T3-61	115	50/60	139.1/143.1	3.5/4.7	44.3/46.3	2,200/2,400	400/400	20/20	B	①/②
FA1751B11T5-61	115	50/60	150.2/162.4	10.0/7.1	48.3/50.2	2,500/2,700	500/500	28/27	B	③/④
FA1751B11T7-61	115	50/60	162.4/182.7	11.5/13.2	50.2/54.2	2,700/3,000	600/600	47/41	B	⑤/⑥
FA1751B22T3-61	230	50/60	139.1/143.1	3.5/4.7	44.3/46.3	2,200/2,400	200/200	20/20	B	①/②
FA1751B22T5-61	230	50/60	150.2/162.4	10.0/7.1	48.3/50.2	2,500/2,700	300/300	28/27	B	③/④
FA1751B22T7-61	230	50/60	162.4/182.7	11.5/13.2	50.2/54.2	2,700/3,000	400/400	47/41	B	⑤/⑥

• For "Wire Lead" version, change the "T" in the model number to "W".

Specifications are subject to change without notice



unit: mm



AC AXIAL FAN 172x150x51mm



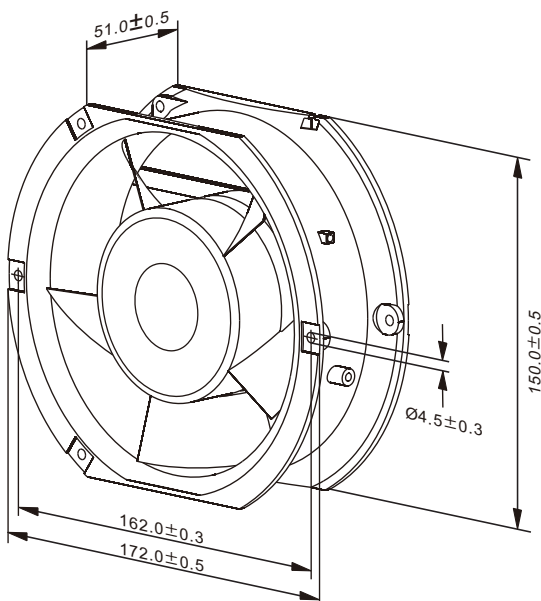
Housing: Die-Cast Aluminum, Painted Black
Blade: Thermoplastic PBT, UL 94V-0
Insulation Resistance: 100MΩ, 500VDC/min between bare wire and frame
Dielectric Strength: 1500VAC for one minute
Operation Temperature: -10°C~70°C(Humidity 35%-85%RH)
Storage Temperature: -40°C~85°C(Humidity 35%-85%RH)
Motor Protection: Impedance Protected
Weight: 920 g **Packing:** 16PCS/CTN



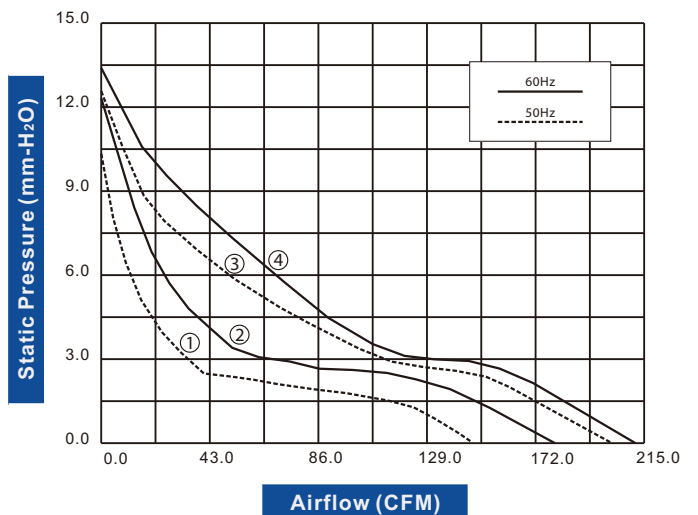
Model Number	Voltage (VAC)	Frequency (Hz)	AirFlow (CFM)	Stat.Pres. (mm-H ₂ O)	Noise (dBA)	Speed (RPM)	Current (mA)	Power (W)	Available Bearing	Curves
FA1751B11T5-96	115	50/60	141.1/176.6	10.3/12.4	42.4/47.3	2,350/2,550	400/380	28/27	B,S	①/②
FA1751B11T7-96	115	50/60	198.9/211.1	12.6/13.4	47.3/54.2	2,500/2,700	500/440	39/36	B,S	③/④
FA1751B22T5-96	230	50/60	141.1/176.6	10.3/12.4	42.4/47.3	2,350/2,550	180/170	25/24	B,S	①/②
FA1751B22T7-96	230	50/60	198.9/211.1	12.6/13.4	47.3/54.2	2,500/2,700	240/220	37/35	B,S	③/④

- For "Sleeve" bearing version, change the "B" in the model number to "S".
- For "Wire Lead" version, change the "T" in the model number to "W".

Specifications are subject to change without notice



unit: mm



AC AXIAL FAN 172x150x51mm

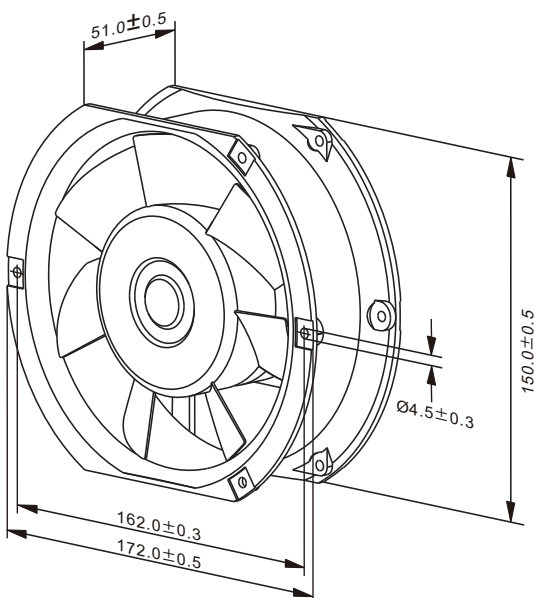


Housing: Die-Cast Aluminum, Painted Black
Blade: Thermoplastic PBT, UL 94V-0
Insulation Resistance: 100M Ω , 500VDC/min between bare wire and frame
Dielectric Strength: 1500VAC for one minute
Operation Temperature: -10°C~70°C(Humidity 35%-85%RH)
Storage Temperature: -40°C~85°C(Humidity 35%-85%RH)
Motor Protection: Impedance Protected
Weight: 920 g **Packing:** 16PCS/CTN

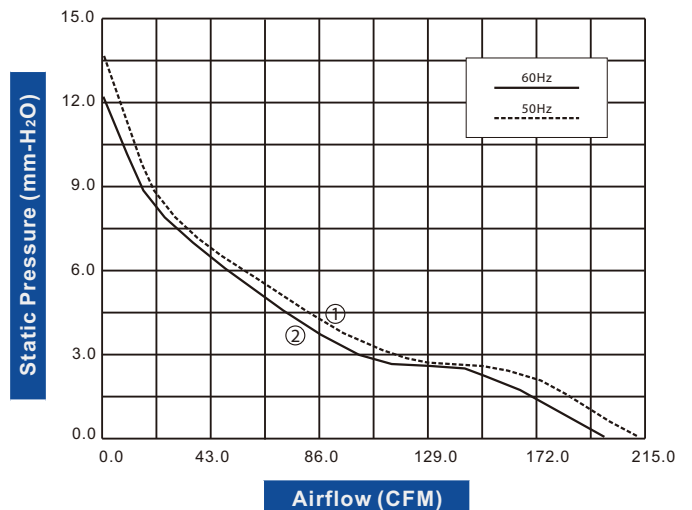
Model Number	Voltage (VAC)	Frequency (Hz)	Air Flow (CFM)	Stat.Pres. (mm-H ₂ O)	Noise (dBA)	Speed (RPM)	Current (mA)	Power (W)	Available Bearing	Curves
FA1751B11T7-97	115	50/60	211.1/198.9	13.7/12.1	52.2/60.1	2,500/2,800	660/580	51/47	B,S	①/②
FA1751B22T7-97	230	50/60	211.1/198.9	13.7/12.1	52.2/60.1	2,600/2,000	250/230	38/36	B,S	①/②

- For "Sleeve" bearing version, change the "B" in the model number to "S".
- For "Wire Lead" version, change the "T" in the model number to "W".

Specifications are subject to change without notice



unit: mm



AC AXIAL FAN 172x150x55mm



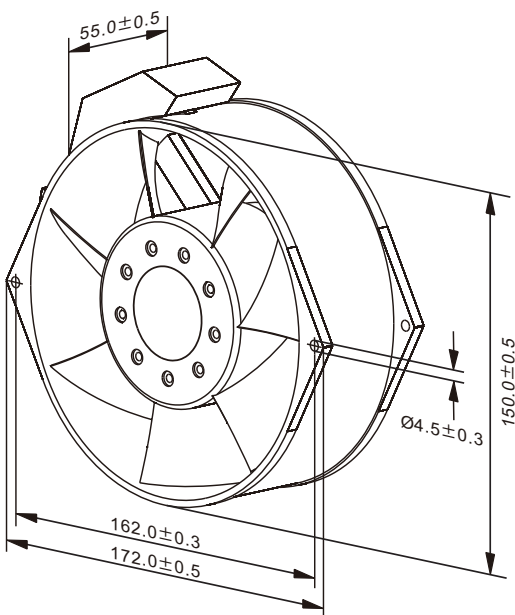
Housing: Die-Cast Aluminum, Painted Black
Blade: Thermoplastic PBT, UL 94V-0
Insulation Resistance: 100MΩ, 500VDC/min between bare wire and frame
Dielectric Strength: 1500VAC for one minute
Operation Temperature: -10°C~70°C(Humidity 35%-85%RH)
Storage Temperature: -40°C~85°C(Humidity 35%-85%RH)
Motor Protection: Thermally Protected
Weight: 870 g **Packing:** 15PCS/CTN



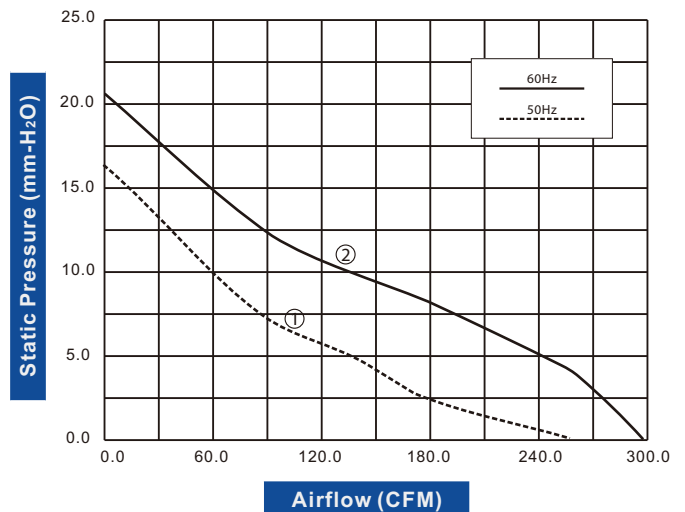
Model Number	Voltage (VAC)	Frequency (Hz)	Air Flow (CFM)	Stat.Pres. (mm-H ₂ O)	Noise (dBA)	Speed (RPM)	Current (mA)	Power (W)	Available Bearing	Curves
FA1755B11T7C-31	115	50/60	253.8/297.4	16.2/20.3	55.2/60.1	2,850/3,300	350/400	46/50	B	①/②
FA1755B22T7C-31	230	50/60	253.8/297.4	16.2/20.3	55.2/60.1	2,850/3,300	200/220	46/50	B	①/②

• For "Wire Lead" version, change the "T" in the model number to "W".

Specifications are subject to change without notice



unit: mm



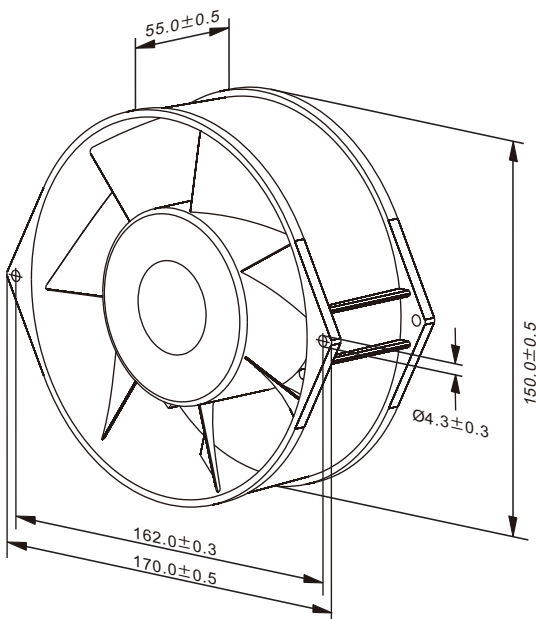
AC AXIAL FAN 170x150x55mm



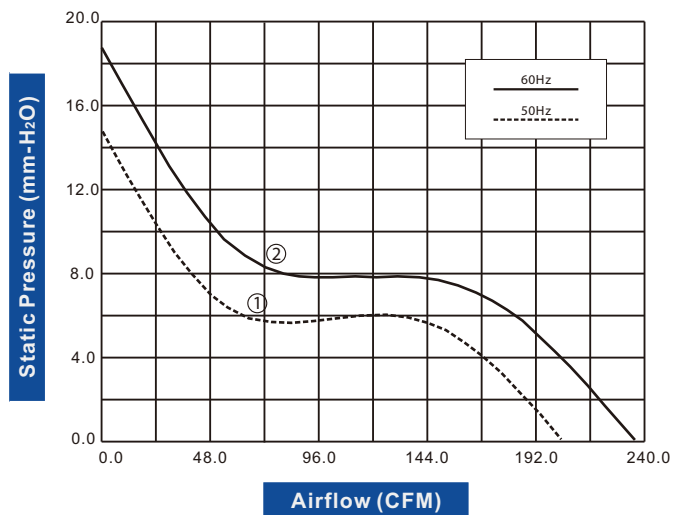
Housing: Die-Cast Aluminum, Painted Black
Blade: Injection Molded of Flame Retardant Polycarbonate, Black
Insulation Resistance: 100M Ω , 500VDC/min between bare wire and frame
Dielectric Strength: 1500VAC for one minute
Operation Temperature: -20°C-70°C(Humidity 35%-85%RH)
Storage Temperature: -40°C-85°C(Humidity 35%-85%RH)
Motor Protection: Thermally Protected
Weight: 1000 g **Packing:** 20PCS/CTN

Model Number	Voltage (VAC)	Frequency (Hz)	AirFlow (CFM)	Stat.Pres. (mm-H ₂ O)	Noise (dBA)	Speed (RPM)	Current (mA)	Power (W)	Available Bearing	Curves
FA1755B11W7C-51	115	50/60	204.0/235.0	14.7/18.9	57.0/61.0	2,900/3,400	340/380	38/44	B	①/②
FA1755B22W7C-51	230	50/60	202.0/239.0	14.7/18.9	57.0/61.0	2,900/3,400	170/190	37/43	B	①/②

Specifications are subject to change without notice



unit: mm



AC AXIAL FAN 175x151x55mm

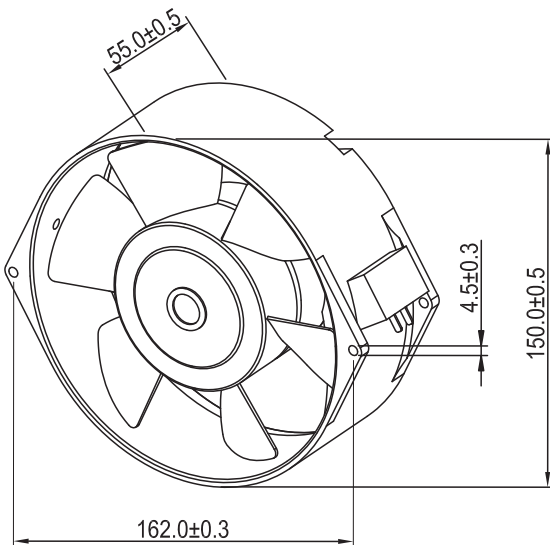


Housing: Aluminum Housing
Blade: Steel Impeller
Insulation Resistance: 100MΩ, 500VDC/min between bare wire and frame
Dielectric Strength: 1500VAC for one minute
Operation Temperature: -20°C+70°C(Humidity 35%-85%RH)
Storage Temperature: -40°C+80°C(Humidity 35%-85%RH)
Motor Protection: Thermally Protected
Weight: 840/980 g **Packing:** 12PCS/CTN

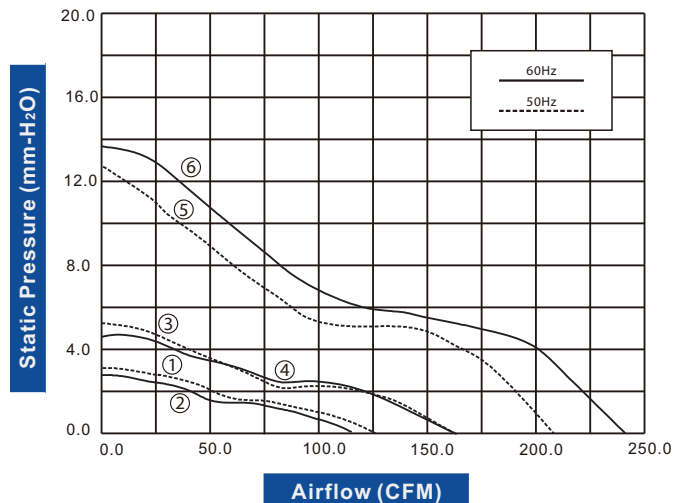


Model Number	Voltage (VAC)	Frequency (Hz)	AirFlow (CFM)	Stat.Pres. (mm-H ₂ O)	Noise (dBA)	Speed (RPM)	Current (mA)	Power (W)	Available Bearing	Curves
FA1755B11T3C-55	※ 115	50/60	125.9/120.8	3.0/2.6	46.3/44.3	1,800/1,700	70/70	8/9	B	①/②
FA1755B11T5C-55	※ 115	50/60	176.6/176.6	6.7/5.3	50.2/50.2	2,350/2,350	120/150	14/17	B	③/④
FA1755B11T7C-55	115	50/60	213.2/243.6	12.7/13.7	52.2/58.1	2,700/3,100	250/210	27/25	B	⑤/⑥
FA1755B11T9C-55	※ 115	50/60	213.2/243.6	13.7/17.8	54.2/60.1	2,800/3,300	270/230	26/26	B	⑤/⑥
FA1755B22T3C-55	※ 230	50/60	125.9/120.8	3.0/2.6	46.3/44.3	1,800/1,700	40/50	10/11	B	①/②
FA1755B22T5C-55	※ 230	50/60	162.4/162.4	5.3/4.3	50.2/50.2	2,200/2,200	80/100	18/20	B	③/④
FA1755B22T7C-55	230	50/60	213.2/243.6	12.7/13.7	52.2/58.1	2,700/3,100	110/120	26/27	B	⑤/⑥
FA1755B22T9C-55	※ 230	50/60	213.2/243.6	13.7/17.8	54.2/60.1	2,800/3,300	100/110	23/26	B	⑤/⑥

- For "Wire Lead" version, change the "T" in the model number to "W".
- If model depicts "※", UL approvals can be implemented upon request.



unit: mm



AC AXIAL FAN 180x180x65mm

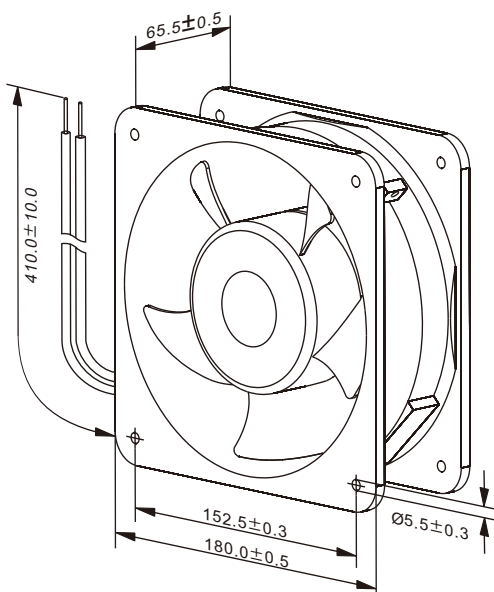


Housing: Die-Cast Aluminum, Painted Black
Blade: Injection Molded of Flame Retardant Polycarbonate, Black
Insulation Resistance: 100M Ω , 500VDC/min between bare wire and frame
Dielectric Strength: 1500VAC for one minute
Operation Temperature: -20°C~70°C(Humidity 35%-85%RH)
Storage Temperature: -40°C~85°C(Humidity 35%-85%RH)
Motor Protection: Thermally Protected
Weight: 1600 g **Packing:** 12PCS/CTN

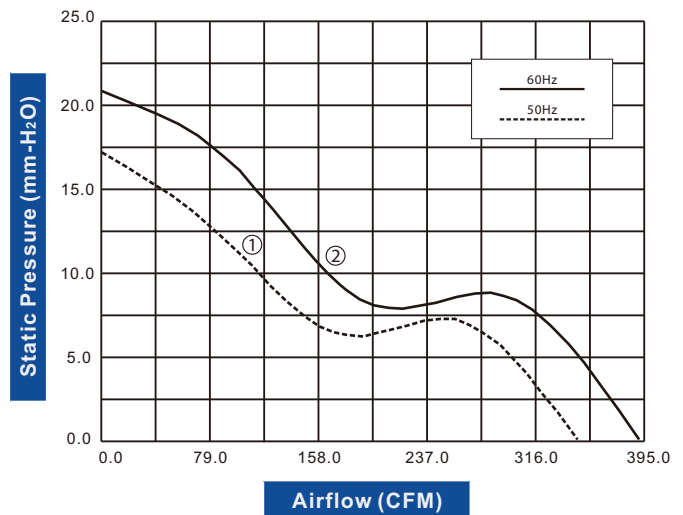
Model Number	Voltage (VAC)	Frequency (Hz)	AirFlow (CFM)	Stat.Pres. (mm-H ₂ O)	Noise (dBA)	Speed (RPM)	Current (mA)	Power (W)	Available Bearing	Curves
FA1865B11T7C-51	115	50/60	342.0/365.0	17.0/20.6	58.0/61.0	2,800/3,150	490/660	56/74	B	①/②
FA1865B22T7C-51	230	50/60	352.0/394.0	17.0/20.6	58.0/61.0	2,900/3,300	260/330	58/76	B	①/②

• For "Wire Lead" version, change the "T" in the model number to "W".

Specifications are subject to change without notice



unit: mm



AC AXIAL FAN 180x180x90mm

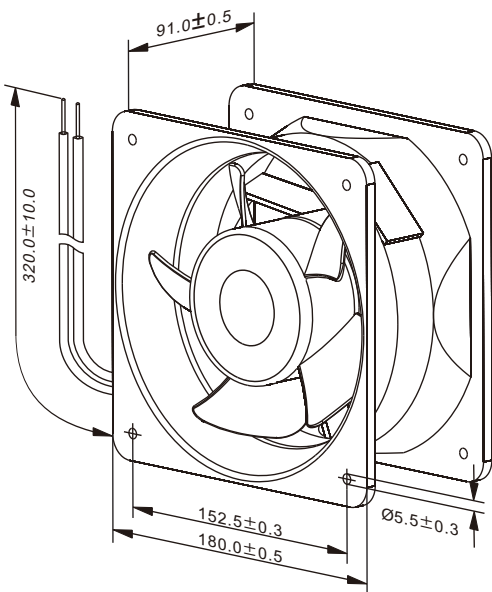


Housing: Die-Cast Aluminum, Painted Black
Blade: Injection Molded of Flame Retardant Polycarbonate, Black
Insulation Resistance: 100M Ω , 500VDC/min between bare wire and frame
Dielectric Strength: 1500VAC for one minute
Operation Temperature: -20°C~70°C(Humidity 35%-85%RH)
Storage Temperature: -40°C~85°C(Humidity 35%-85%RH)
Motor Protection: Thermally Protected
Weight: 1600 g **Packing:** 8PCS/CTN

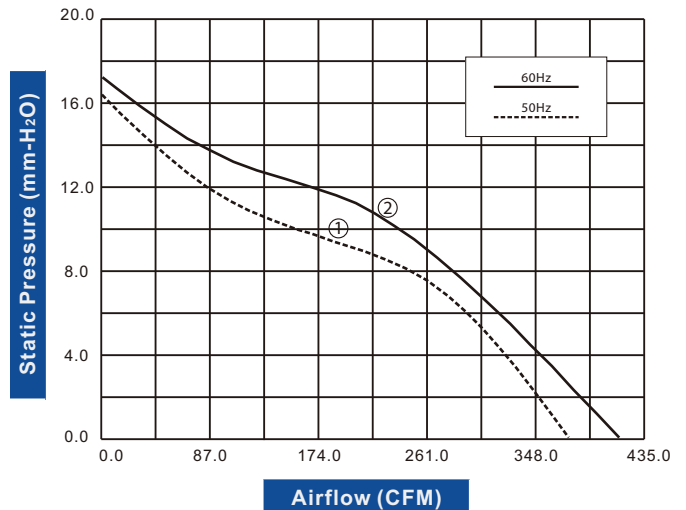
Model Number	Voltage (VAC)	Frequency (Hz)	AirFlow (CFM)	Stat.Pres. (mm-H ₂ O)	Noise (dBA)	Speed (RPM)	Current (mA)	Power (W)	Available Bearing	Curves
FA1890B11T7C-51	115	50/60	376.0/409.0	16.3/17.1	58.0/61.0	2,800/3,000	470/660	55/77	B	①/②
FA1890B22T7C-51	230	50/60	378.0/434.0	16.3/17.1	58.0/62.0	2,800/3,200	250/330	58/76	B	①/②

• For "Wire Lead" version, change the "T" in the model number to "W".

Specifications are subject to change without notice



unit: mm



AC AXIAL FAN 200x200x60mm



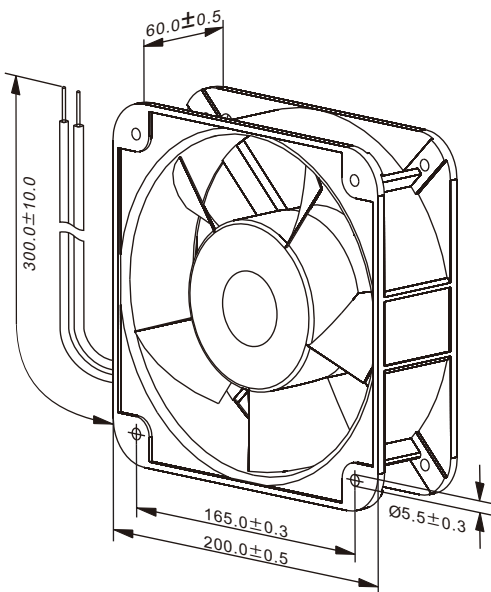
Housing: Die-Cast Aluminum, Painted Black
Blade: Thermoplastic PBT, UL 94V-0
Insulation Resistance: 100M Ω , 500VDC/min between bare wire and frame
Dielectric Strength: 1500VAC for one minutue
Operation Temperature: -10°C~70°C(Humidity 35%-85%RH)
Storage Temperature: -40°C~85°C(Humidity 35%-85%RH)
Motor Protection: Thermally Protected
Weight: 1610 g **Packing:** 10PCS/CTN



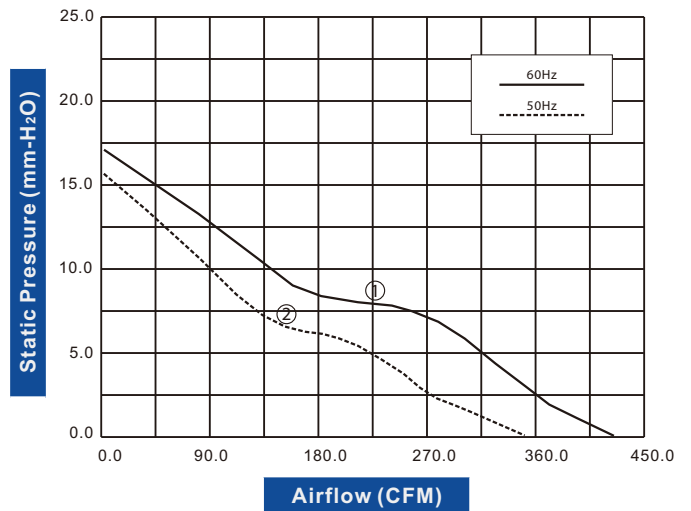
Model Number	Voltage (VAC)	Frequency (Hz)	AirFlow (CFM)	Stat.Pres. (mm-H ₂ O)	Noise (dBA)	Speed (RPM)	Current (mA)	Power (W)	Available Bearing	Curves
FA2060B11W7-96	115	50/60	355.3/431.4	15.2/17.3	59.1/64.0	2,800/3,200	760/700	52/52	B,S	①/②
FA2060B22W7-96	230	50/60	355.3/431.4	15.2/17.3	59.1/64.0	2,800/3,200	360/430	52/52	B,S	①/②

• For "Sleeve" bearing version, change the "B" in the model number to "S".

Specifications are subject to change without notice



unit: mm



AC AXIAL FAN Ø 220x60mm



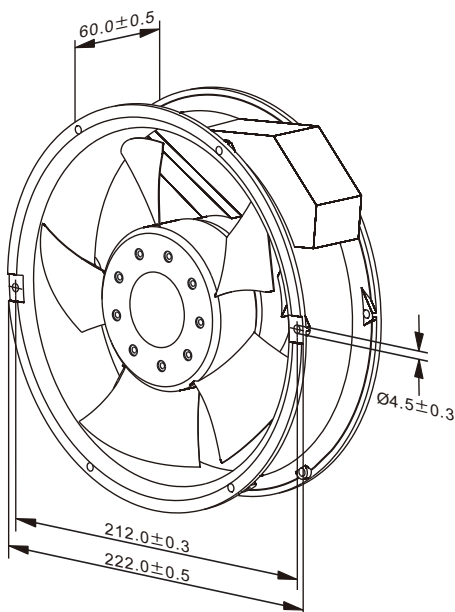
Housing: Die-Cast Aluminum, Painted Black
Blade: Thermoplastic PBT, UL 94V-0
Insulation Resistance: 100M Ω , 500VDC/min between bare wire and frame
Dielectric Strength: 1500VAC for one minutue
Operation Temperature: -10°C~70°C(Humidity 35%-85%RH)
Storage Temperature: -40°C~85°C(Humidity 35%-85%RH)
Motor Protection: Thermally Protected
Weight: 1540 g **Packing:** 10PCS/CTN



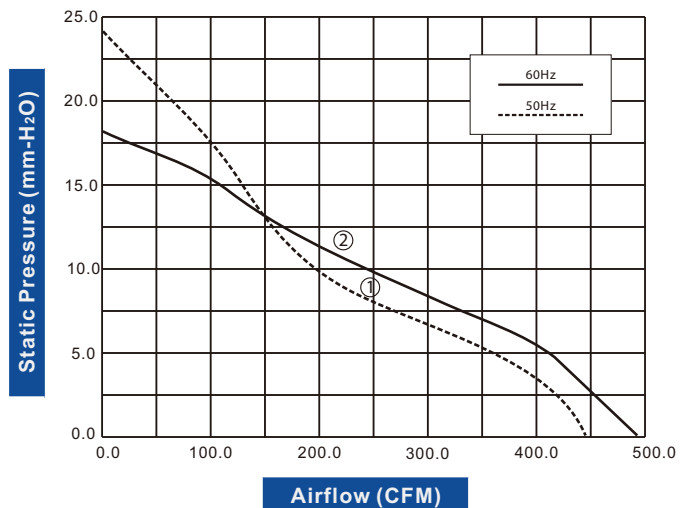
Model Number	Voltage (VAC)	Frequency (Hz)	Air Flow (CFM)	Stat.Pres. (mm-H ₂ O)	Noise (dBA)	Speed (RPM)	Current (mA)	Power (W)	Available Bearing	Curves
FA2260B11T7C-31	115	50/60	436.5/492.3	24.4/18.3	58.1/61.1	2,800/3,200	420/460	50/56	B	①/②
FA2260B22T7C-31	230	50/60	436.5/492.3	24.4/18.3	58.1/61.1	2,800/3,200	250/260	50/56	B	①/②

• For "Wire Lead" version, change the "T" in the model number to "W".

Specifications are subject to change without notice



unit: mm



AC AXIAL FAN Ø 220x60mm



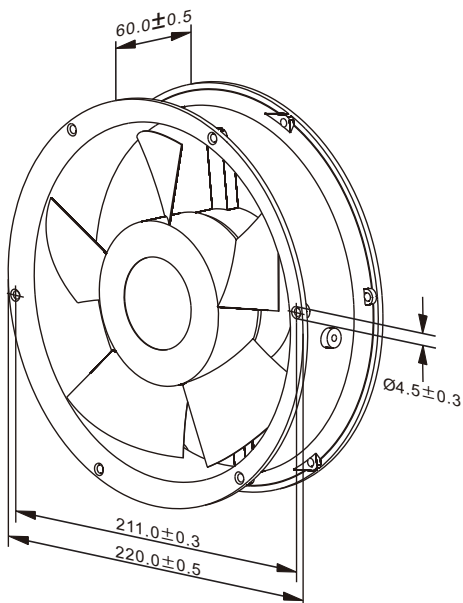
CE

Housing: Die-Cast Aluminum, Painted Black
Blade: Thermoplastic PBT, UL 94V-0
Insulation Resistance: 100MΩ, 500VDC/min between bare wire and frame
Dielectric Strength: 1500VAC for one minute
Operation Temperature: -10°C~70°C(Humidity 35%-85%RH)
Storage Temperature: -40°C~85°C(Humidity 35%-85%RH)
Motor Protection: Impedance Protected
Weight: 1620 g **Packing:** 10PCS/CTN

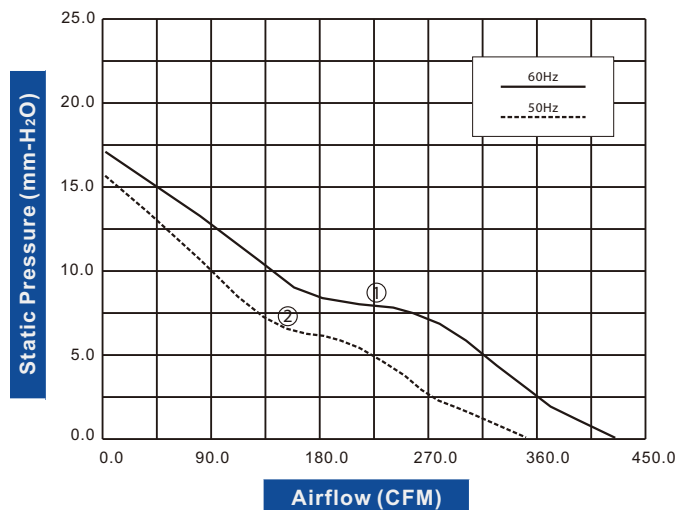
Model Number	Voltage (VAC)	Frequency (Hz)	AirFlow (CFM)	Stat.Pres. (mm-H ₂ O)	Noise (dBA)	Speed (RPM)	Current (mA)	Power (W)	Available Bearing	Curves
FA2260B11T7-96	115	50/60	355.3/431.4	15.2/17.3	59.1/64.0	2,800/3,200	760/700	52/52	B,S	①/②
FA2260B22T7-96	230	50/60	355.3/431.4	15.2/17.3	59.1/64.0	2,800/3,200	380/350	52/52	B,S	①/②
FA2260B11W7-96	115	50/60	355.3/431.4	15.2/17.3	59.1/64.0	2,800/3,200	760/700	52/52	B,S	①/②
FA2260B22W7-96	230	50/60	355.3/431.4	15.2/17.3	59.1/64.0	2,800/3,200	380/350	52/52	B,S	①/②

- For "Sleeve" bearing version, change the "B" in the model number to "S".
- For "Wire Lead" version, change the "T" in the model number to "W".

Specification are subject to change without notice



unit: mm



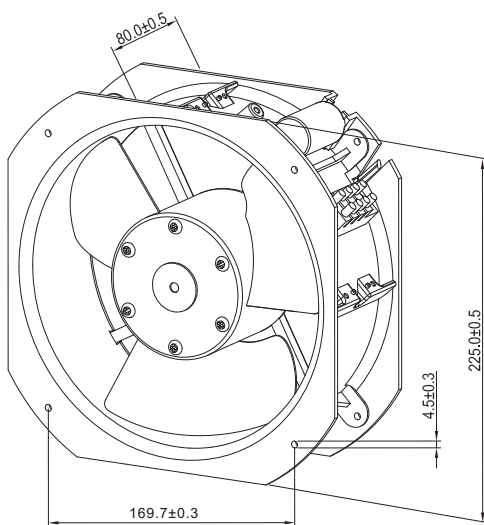
AC AXIAL FAN 225*225*80mm



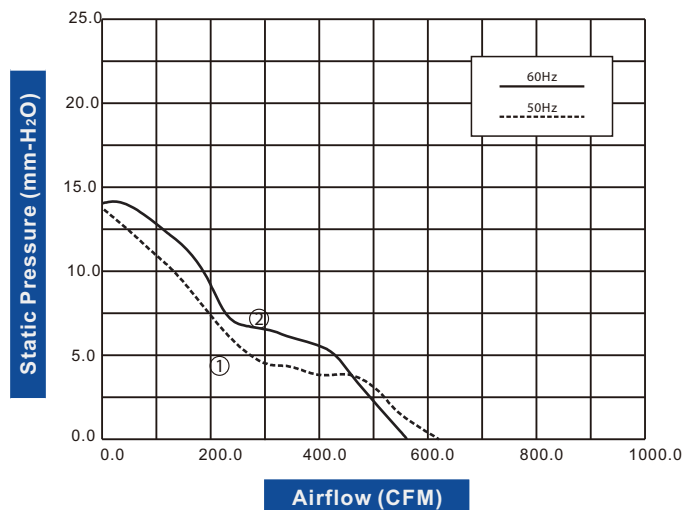
Housing: Aluminum Housing
Blade: Steel Impeller
Insulation Resistance: 100M Ω , 500VDC/min between bare wire and frame
Dielectric Strength: 1500VAC for one minute
Operation Temperature: -20°C~70°C(Humidity 35%-85%RH)
Storage Temperature: -40°C~80°C(Humidity 35%-85%RH)
Motor Protection: Thermally Protected
Weight: 2750 g **Packing:** 6PCS/CTN



Model Number	Voltage (VAC)	Frequency (Hz)	Air Flow (CFM)	Stat.Pres. (mm-H ₂ O)	Noise (dBA)	Speed (RPM)	Current (mA)	Power (W)	Available Bearing	Curves
FA2280B11T7C-55	115	50/60	558.7/680.1	13.7/20.8	67.0/69.9	2,750/3,150	730/720	59/70	B	①/②
FA2280B22T7C-55	230	50/60	558.7/680.1	13.7/20.8	67.0/69.9	2,750/3,150	320/320	58/70	B	①/②



unit: mm



AC AXIAL FAN Ø 254x89mm



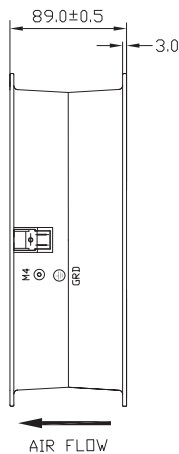
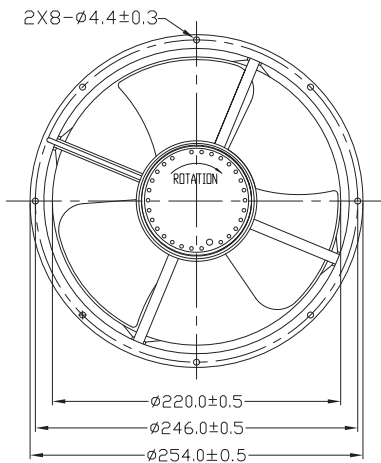
Housing: Die-Cast Aluminum, Painted Black
Blade: Injection Molded of Flame Retardant Polycarbonate, Black
Insulation Resistance: 100MΩ, 500VDC/min between bare wire and frame
Dielectric Strength: 1500VAC for one minutue
Operation Temperature: -10°C~70°C(Humidity 35%-85%RH)
Storage Temperature: -40°C~75°C(Humidity 35%-85%RH)
Motor Protection: Thermally Protected
Weight: 2150 g **Packing:** 5PCS/CTN



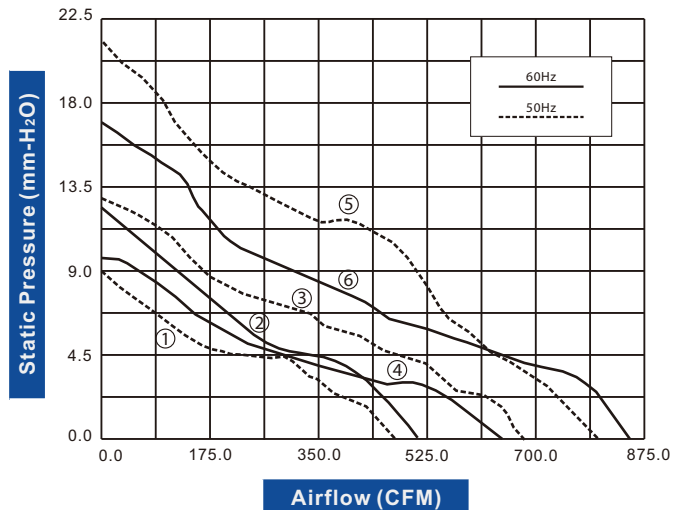
Model Number	Voltage (VAC)	Frequency (Hz)	AirFlow (CFM)	Stat.Pres. (mm-H ₂ O)	Noise (dBA)	Speed (RPM)	Current (mA)	Power (W)	Available Bearing	Curves
FA2589B11T7C-31 ※	115	50/60	429.3/510.5	9.0/12.1	51.2/54.2	1,400/1,650	160/170	32/32	B	①/②
FA2589B11T9C-31 ※	115	50/60	695.3/649.6	12.4/9.9	59.1/58.1	2,200/2,100	290/350	65/78	B	③/④
FA2589B11T11C-31 ※	115	50/60	791.7/862.8	21.3/17.3	78.8/86.7	2,600/2,800	400/450	87/110	B	⑤/⑥
FA2589B22T7C-31	230	50/60	429.3/510.5	9.0/12.1	51.2/54.2	1,400/1,650	160/170	32/32	B	①/②
FA2589B22T9C-31	230	50/60	695.3/649.6	12.4/9.9	59.1/58.1	2,200/2,100	290/350	65/78	B	③/④
FA2589B22T11C-31	230	50/60	791.7/862.8	21.3/17.3	78.8/86.7	2,600/2,800	400/450	87/110	B	⑤/⑥

- For "Wire Lead" version, change the "T" in the model number to "W".
- If model depicts "※", UL approvals can be implemented upon request.

Specifications are subject to change without notice



unit: mm



AC AXIAL FAN Ø 254x89mm

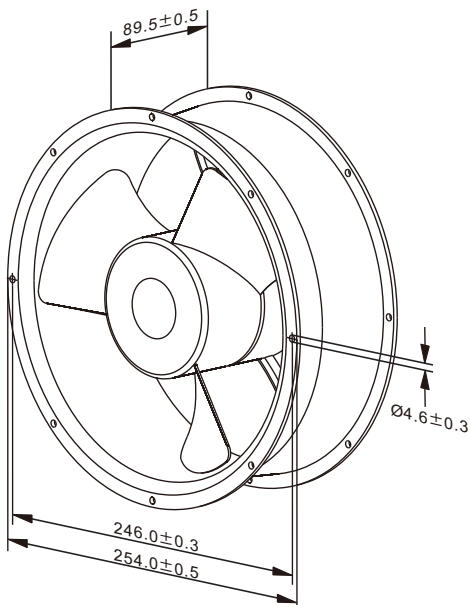


Housing: Die-Cast Aluminum, Painted Black
Blade: Injection Molded of Flame Retardant Polycarbonate, Black
Insulation Resistance: 100MΩ, 500VDC/min between bare wire and frame
Dielectric Strength: 1500VAC for one minute
Operation Temperature: -20°C~70°C(Humidity 35%-85%RH)
Storage Temperature: -40°C~85°C(Humidity 35%-85%RH)
Motor Protection: Thermally Protected
Weight: 1600 g **Packing:** 10PCS/CTN

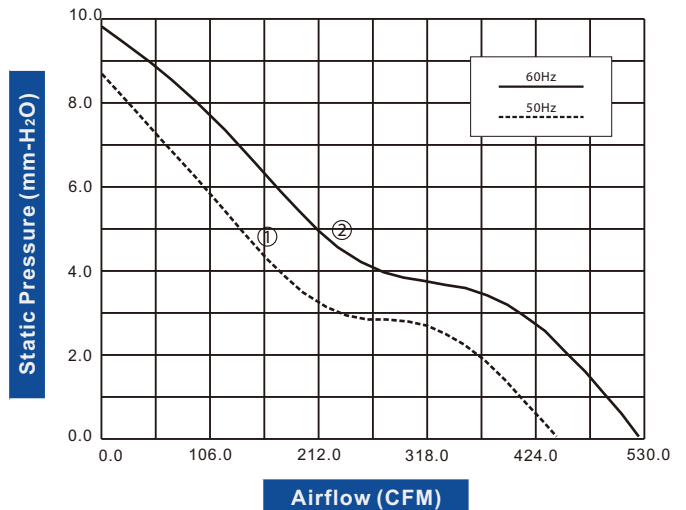
Model Number	Voltage (VAC)	Frequency (Hz)	AirFlow (CFM)	Stat.Pres. (mm-H ₂ O)	Noise (dBA)	Speed (RPM)	Current (mA)	Power (W)	Available Bearing	Curves
FA2589B11T7C-51	115	50/60	443.0/525.0	8.6/9.8	49.0/53.0	1,400/1,700	350/360	38/40	B	①/②
FA2589B22T7C-51	230	50/60	445.0/529.0	8.6/9.8	49.0/53.0	1,400/1,700	190/180	39/40	B	①/②

• For "Wire Lead" version, change the "T" in the model number to "W".

Specifications are subject to change without notice



unit: mm



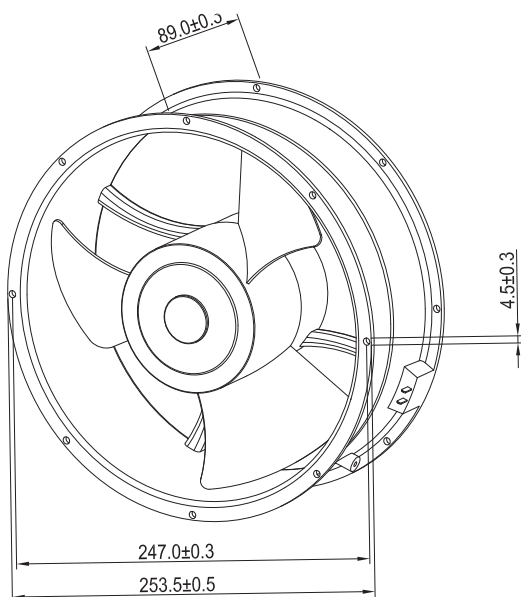
AC AXIAL FAN Ø 254x89mm



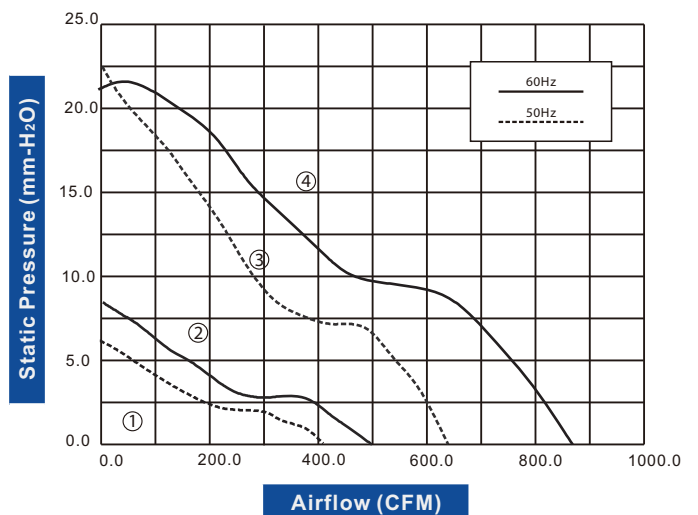
Housing: Aluminum Housing
Blade: Steel Impeller
Insulation Resistance: 100MΩ, 500VDC/min between bare wire and frame
Dielectric Strength: 1500VAC for one minutue
Operation Temperature: -20°C+70°C(Humidity 35%-85%RH)
Storage Temperature: -40°C+80°C(Humidity 35%-85%RH)
Motor Protection: Thermally Protected
Weight:2750 g **Packing:** 6PCS/CTN

Model Number	Voltage (VAC)	Frequency (Hz)	AirFlow (CFM)	Stat.Pres. (mm-H ₂ O)	Noise (dBA)	Speed (RPM)	Current (mA)	Power (W)	Available Bearing	Curves
FA2589B11T3C-55	115	50/60	375.6/446.6	6.4/8.0	51.2/53.2	1,400/1,650	210/240	24/26	B	①/②
FA2589B11T7C-55	115	50/60	751.1/872.9	22.8/21.8	65.0/67.0	2,800/3,200	590/860	66/95	B	③/④
FA2589B22T3C-55	230	50/60	375.6/446.6	6.4/8.0	51.2/53.2	1,400/1,650	110/120	24/26	B	①/②
FA2589B22T7C-55	230	50/60	751.1/872.9	22.8/21.8	65.0/67.0	2,800/3,200	280/430	66/95	B	③/④

• For "Wire Lead" version, change the "T" in the model number to "W".



unit: mm



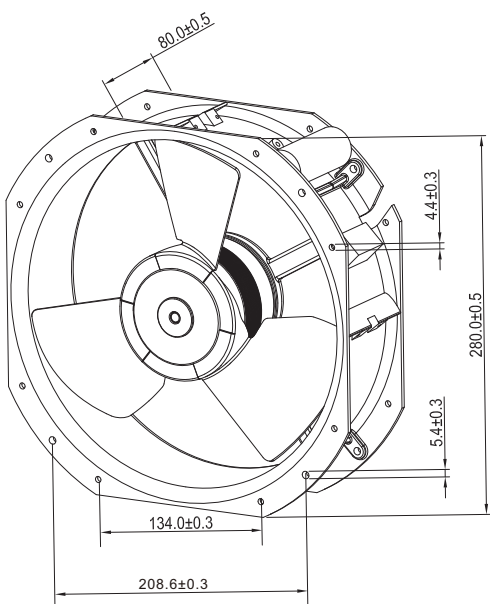
AC AXIAL FAN 280x280x80mm



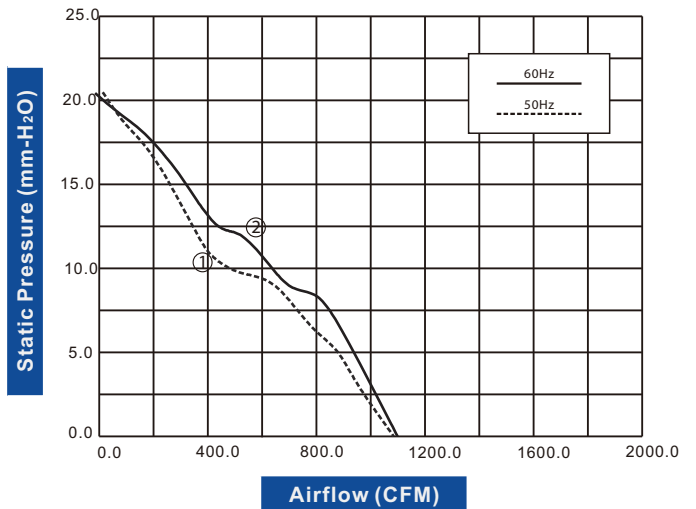
Housing: Aluminum Housing
Blade: Steel Impeller
Insulation Resistance: 100MΩ, 500VDC/min between bare wire and frame
Dielectric Strength: 1500VAC for one minute
Operation Temperature: -20°C+70°C(Humidity 35%-85%RH)
Storage Temperature: -40°C+80°C(Humidity 35%-85%RH)
Motor Protection: Thermally Protected
Weight: 3150 g **Packing:** 6PCS/CTN



Model Number	Voltage (VAC)	Frequency (Hz)	AirFlow (CFM)	Stat.Pres. (mm-H ₂ O)	Noise (dBA)	Speed (RPM)	Current (mA)	Power (W)	Available Bearing	Curves
FA2880B11T7C-55	115	50/60	1106.4/1218	24.9/20.8	69.0/71.9	2,650/2,900	810/1200	95/138	B	①/②
FA2880B22T7C-55	230	50/60	1106.4/1218	24.9/20.8	69.0/71.9	2,650/2,900	430/630	95/138	B	①/②



unit: mm



AC BLOWER 125x126x40mm



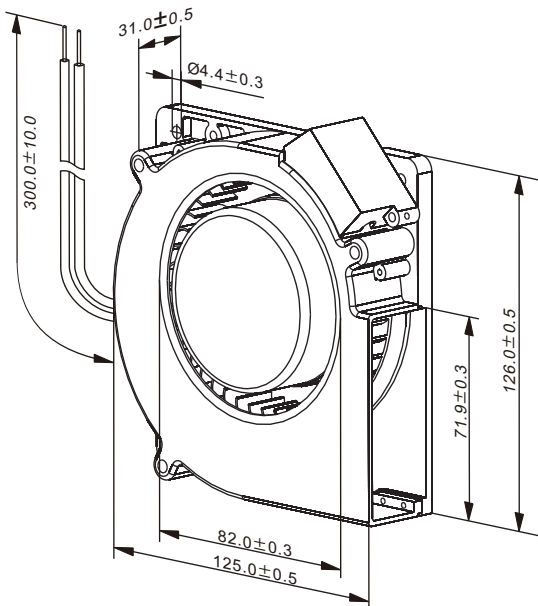
Housing: Die-Cast Aluminum, Painted Black
Blade: Thermoplastic PBT, UL 94V-0
Insulation Resistance: 100MΩ, 500VDC/min between bare wire and frame
Dielectric Strength: 1500VAC for one minutue
Operation Temperature: -10°C~70°C(Humidity 35%-85%RH)
Storage Temperature: -40°C~85°C(Humidity 35%-85%RH)
Motor Protection: Thermally Protected
Weight: 668 g **Packing:** 40PCS/CTN



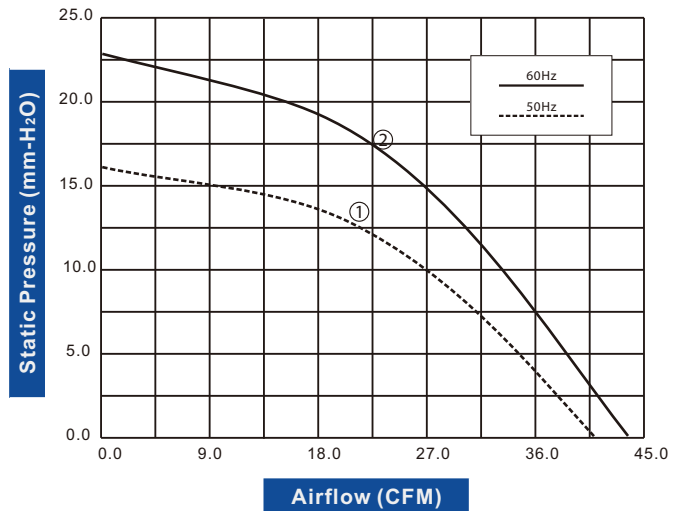
Model Number	Voltage (VAC)	Frequency (Hz)	AirFlow (CFM)	Stat.Pres. (mm-H ₂ O)	Noise (dBA)	Speed (RPM)	Current (mA)	Power (W)	Available Bearing	Curves
FBA1231B11W5C-31	115	50/60	40.6/43.6	16.0/22.9	54.2/56.1	2,750/3,050	270/290	26/27	B,S	①/②
FBA1231B22W5C-31	230	50/60	40.6/43.6	16.0/22.9	54.2/56.1	2,750/3,050	130/130	26/27	B,S	①/②

• For "Sleeve" bearing version, change the "B" in the model number to "S".

Specifications are subject to change without notice



unit: mm



AC BLOWER 121x121x37mm



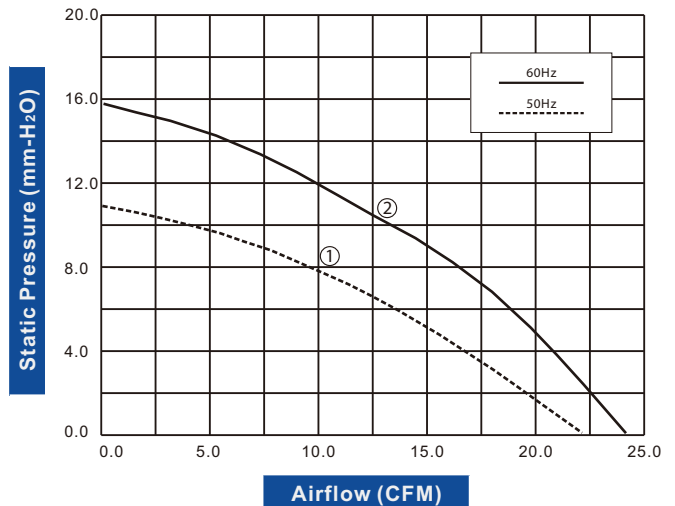
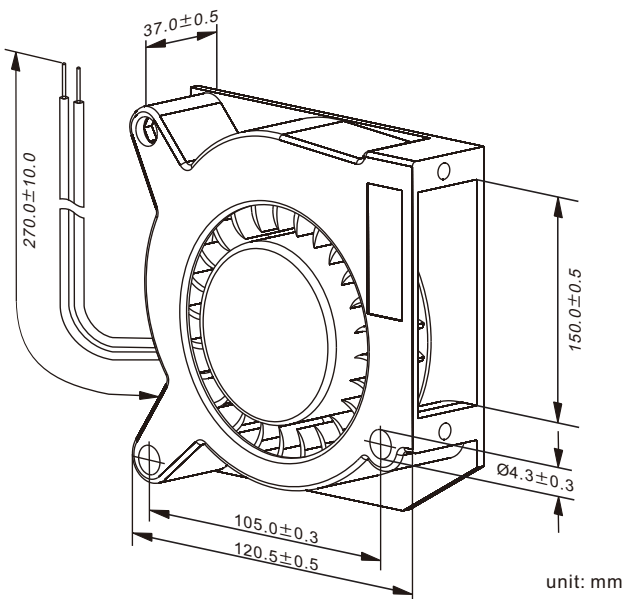
Spiral Housing: Fiberglass-Reinforced Polycarbonate
Housing Base: Galvanized Steel Plate
Blade: Thermoplastic PBT, UL 94V-0
Insulation Resistance: 100M Ω , 500VDC/min between bare wire and frame
Dielectric Strength: 1500VAC for one minutue
Operation Temperature: -20°C-70°C(Humidity 35%-85%RH)
Storage Temperature: -40°C-85°C(Humidity 35%-85%RH)
Motor Protection: Impedance Protected
Weight: 625 g **Packing:** 20PCS/CTN



Model Number	Voltage (VAC)	Frequency (Hz)	AirFlow (CFM)	Stat.Pres. (mm-H ₂ O)	Noise (dBA)	Speed (RPM)	Current (mA)	Power (W)	Available Bearing	Curves
FBA1237B11W5-51	115	50/60	22.0/23.0	10.7/15.7	53.0/54.0	2,500/2,500	270/240	21/19	B,S	①/②
FBA1237B22W5-51	230	50/60	22.0/23.0	10.7/15.7	53.0/54.0	2,500/2,500	140/120	21/20	B,S	①/②

• For "Sleeve" bearing version, change the "B" in the model number to "S".

Specifications are subject to change without notice



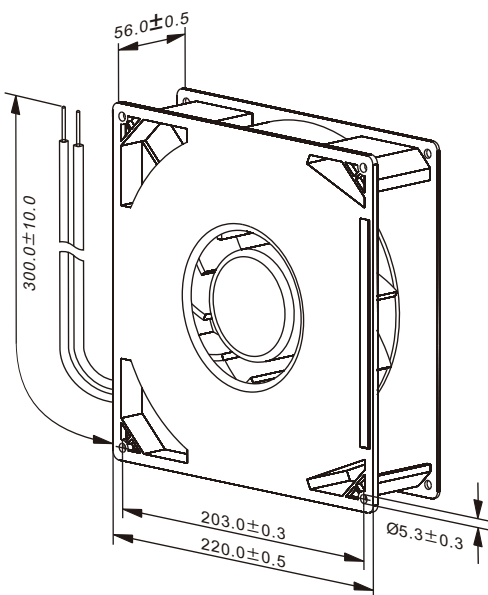
AC BLOWER 220x220x56mm



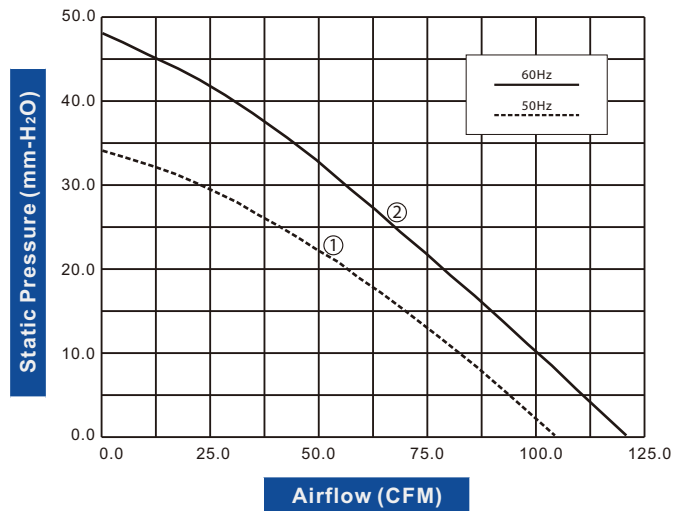
Spiral Housing: Fiberglass-Reinforced Polycarbonate
Housing Base: Galvanized Steel Plate
Blade: Thermoplastic PBT, UL 94V-0
Insulation Resistance: 100MΩ, 500VDC/min between bare wire and frame
Dielectric Strength: 1500VAC for one minute
Operation Temperature: -20°C~70°C(Humidity 35%-85%RH)
Storage Temperature: -40°C~85°C(Humidity 35%-85%RH)
Motor Protection: Thermally Protected
Weight: 1750 g **Packing:** 8PCS/CTN

Model Number	Voltage (VAC)	Frequency (Hz)	AirFlow (CFM)	Stat.Pres. (mm-H ₂ O)	Noise (dBA)	Speed (RPM)	Current (mA)	Power (W)	Available Bearing	Curves
FBA2256B11W7C-51	115	50/60	103.0/117.0	33.8/47.8	64.0/66.0	2,900/3,300	340/420	37/45	B	①/②
FBA2256B22W7C-51	230	50/60	104.0/120.0	33.8/47.8	64.0/66.0	2,900/3,400	160/200	36/44	B	①/②

Specifications are subject to change without notice



unit: mm



AC-DC AXIAL FAN
80x80x38mm
(EC Fan)

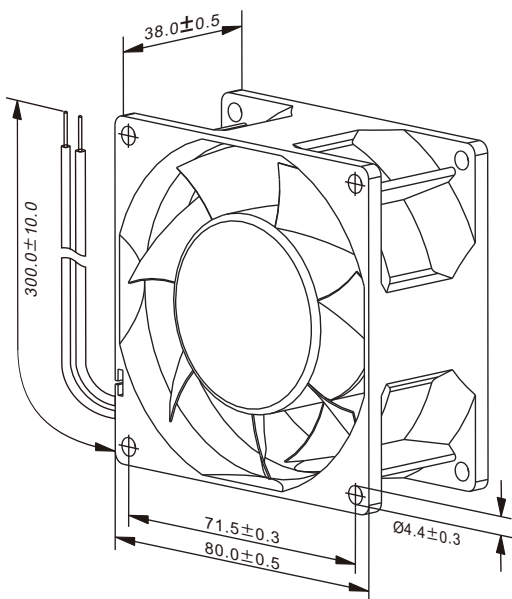


Housing/Blade: Thermoplastic PBT, UL 94V-0
 Insulation Resistance: 10M Ω , 500VDC/min between bare wire and frame
 Dielectric Strength: 5mA max. 500VAC/min between bare wire and frame
 Operation Temperature: -10°C~70°C(Humidity 35%-85%RH)
 Storage Temperature: -40°C~85°C(Humidity 35%-85%RH)
 Lead Wire: UL Type #24 AWG
 Weight: 155 g Packing: 60PCS/CTN

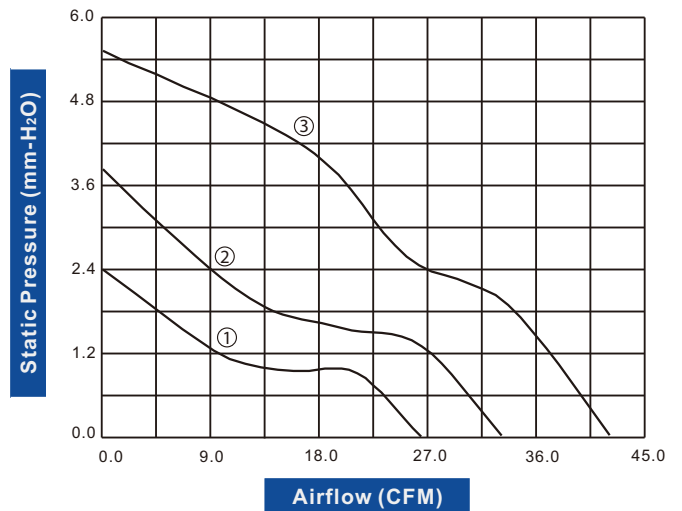
- Energy Efficiency EC Fan
- Electronically Commutated(EC) Motor Technology

Model Number	Voltage (VAC)	Frequency (Hz)	Oper. Volt. (VAC)	AirFlow (CFM)	Stat.Pres. (mm-H ₂ O)	Noise (dBA)	Speed (RPM)	Current (mA)	Power (W)	Available Bearing	Curves
FDA8038B11W3-61	115	60	85~132	26.5	2.4	25.6	2,000	30	1.0	B	①
FDA8038B11W5-61	115	60	85~132	33.8	3.8	31.5	2,500	40	2.0	B	②
FDA8038B11W7-61	115	60	85~132	40.7	5.4	36.4	3,000	60	5.0	B	③
FDA8038B22W3-61	230	50	140~264	26.5	2.4	25.6	2,000	20	1.0	B	①
FDA8038B22W5-61	230	50	140~264	33.8	3.8	31.5	2,500	30	2.0	B	②
FDA8038B22W7-61	230	50	140~264	40.7	5.4	36.4	3,000	50	5.0	B	③

Specifications are subject to change without notice



unit: mm



AC-DC AXIAL FAN 120x120x38mm (EC Fan)



Housing/Blade: Thermoplastic PBT, UL 94V-0
 Insulation Resistance: 10M Ω , 500VDC/min between bare wire and frame
 Dielectric Strength: 5mA max. 500VAC/min between bare wire and frame
 Operation Temperature: -10°C~70°C(Humidity 35%-85%RH)
 Storage Temperature: -40°C~85°C(Humidity 35%-85%RH)
 Lead Wire: UL Type #26 AWG
 Weight: 270 g Packing: 40PCS/CTN

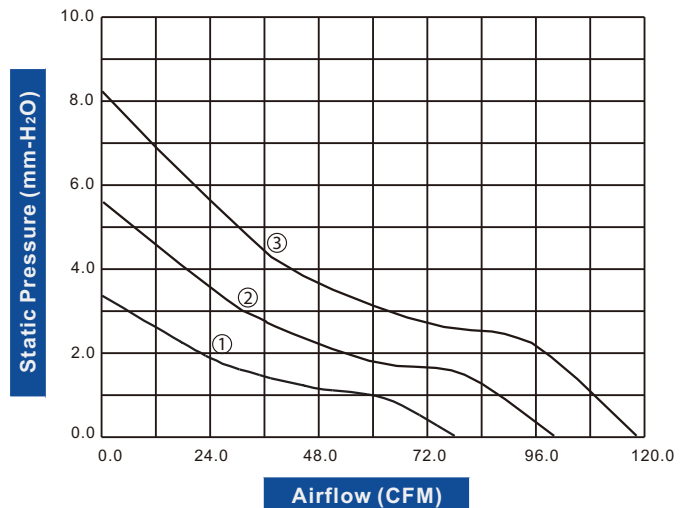
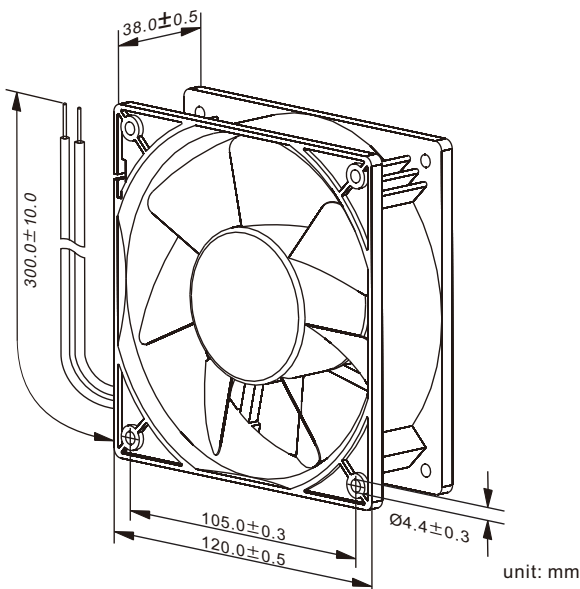


- Energy Efficiency EC Fan
- Electronically Commutated(EC) Motor Technology

Model Number	Voltage (VAC)	Frequency (Hz)	Oper. Volt. (VAC)	AirFlow (CFM)	Stat.Pres. (mm-H ₂ O)	Noise (dBA)	Speed (RPM)	Current (mA)	Power (W)	Available Bearing	Curves
FDA1238B22W3-61	230	50	140~264	78.6	3.3	33.5	2,000	30	2.5	B	①
FDA1238B22W5-61	230	50	140~264	100.7	5.7	39.4	2,500	40	4.0	B	②
FDA1238B22W7-61	230	50	140~264	118.0	8.1	44.3	3,000	50	6.0	B	③
FDA1238BDLW3-61	++* 115/230	50/60	85~264	78.6	3.3	33.5	2,000	80	4.0	B	①
FDA1238BDLW5-61	++* 115/230	50/60	85~264	100.7	5.7	39.4	2,500	100	6.0	B	②
FDA1238BDLW7-61	++* 115/230	50/60	85~264	118.0	8.1	44.3	3,000	120	8.0	B	③

- Dual voltage models marked with "++".
- If model depicts "*": TUV approvals can be implemented upon request.

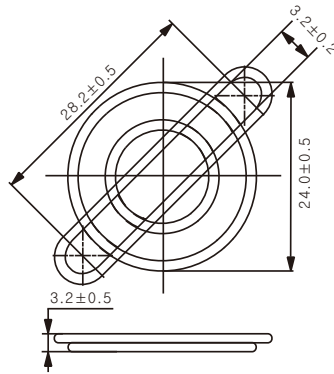
Specifications are subject to change without notice



General Application:

The **FGW** series wire form fan guards are designed for tubeaxial fans in 40mm, 50mm, 60mm, 70mm, 80mm, 92mm, 120mm, 172mm, 220mm, 254mm size and other custom designs.

FGW-025A-1



unit: mm

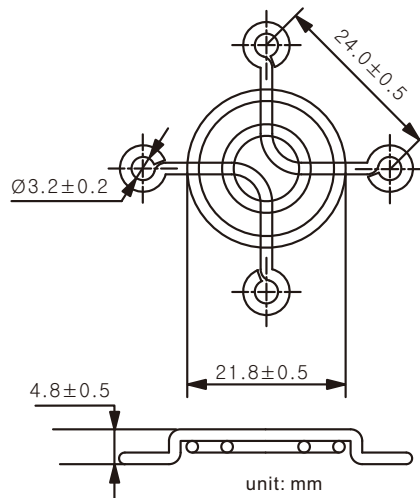
Fits for Fan Sizes:

25x25x10mm; 25x25x15mm

Notes:

- Materials: Bright basic wire.
- Finish: Bright nickel chrome plating.
 - (1) Rings are $\varnothing 1.6\pm 0.1$ mm.
 - (2) Ribs are $\varnothing 1.6\pm 0.1$ mm.
- Weld joints to withstand 88 lbs pull force.
- Part meets $\varnothing 6.35$ mm plug gauge test.

FGW-030A-1



unit: mm

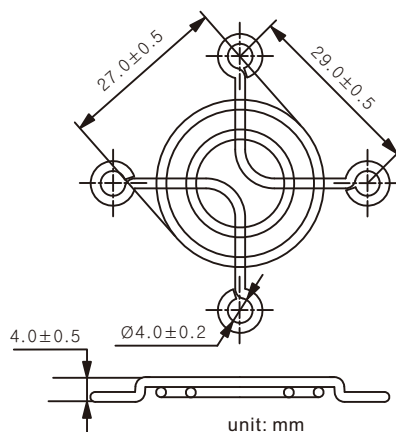
Fits for Fan Sizes:

30x30x06mm; 30x30x10mm

Notes:

- Materials: Bright basic wire.
- Finish: Bright nickel chrome plating.
 - (1) Rings are $\varnothing 1.6\pm 0.1$ mm.
 - (2) Ribs are $\varnothing 1.6\pm 0.1$ mm.
- Weld joints to withstand 88 lbs pull force.
- Part meets $\varnothing 6.35$ mm plug gauge test.

FGW-035A-1



unit: mm

Fits for Fan Size:

35x35x10mm

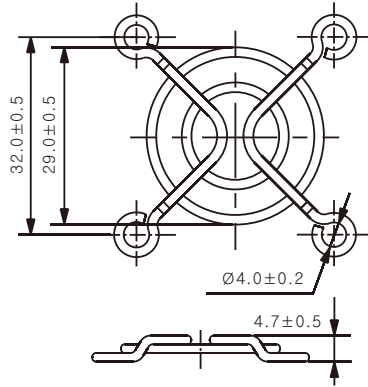
Notes:

- Materials: Bright basic wire.
- Finish: Bright nickel chrome plating.
 - (1) Rings are $\varnothing 1.6\pm 0.1$ mm.
 - (2) Ribs are $\varnothing 1.6\pm 0.1$ mm.
- Weld joints to withstand 88 lbs pull force.
- Part meets $\varnothing 6.35$ mm plug gauge test.

General Application:

The **FGW** series wire form fan guards are designed for tubeaxial fans in 40mm, 50mm, 60mm, 70mm, 80mm, 92mm, 120mm, 172mm, 220mm, 254mm size and other custom designs.

FGW-040A-1



unit: mm

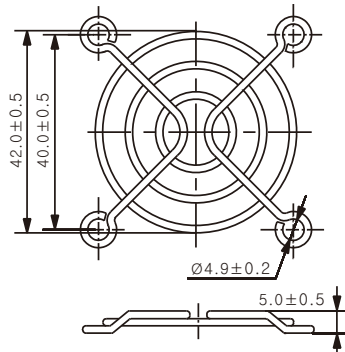
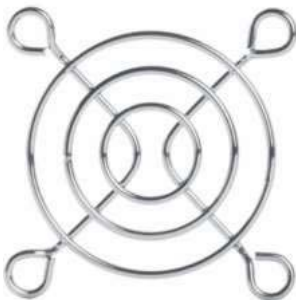
Fits for Fan Sizes:

40x40x07mm; 40x40x10mm
40x40x15mm; 40x40x20mm
40x40x28mm

Notes:

- Materials: Bright basic wire.
- Finish: Bright nickel chrome plating.
 - (1) Rings are $\varnothing 1.6 \pm 0.1$ mm.
 - (2) Ribs are $\varnothing 1.6 \pm 0.1$ mm.
- Weld joints to withstand 88 lbs pull force.
- Part meets $\varnothing 6.35$ mm plug gauge test.

FGW-050A-1



unit: mm

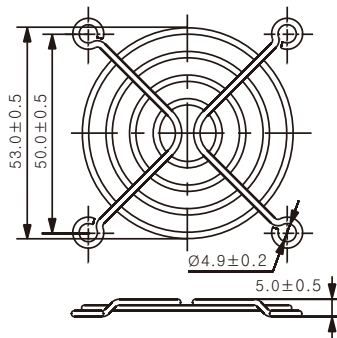
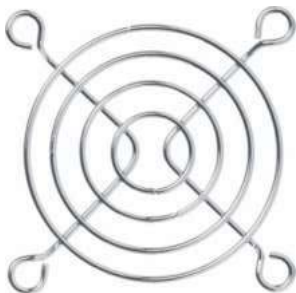
Fits for Fan Sizes:

50x50x10mm; 50x50x15mm
50x50x20mm; 50x50x25mm

Notes:

- Materials: Bright basic wire.
- Finish: Bright nickel chrome plating.
 - (1) Rings are $\varnothing 1.6 \pm 0.1$ mm.
 - (2) Ribs are $\varnothing 1.6 \pm 0.1$ mm.
- Weld joints to withstand 88 lbs pull force.
- Part meets $\varnothing 6.35$ mm plug gauge test.

FGW-060A-1



unit: mm

Fits for Fan Sizes:

60x60x10mm; 60x60x15mm
60x60x20mm; 60x60x25mm
60x60x38mm

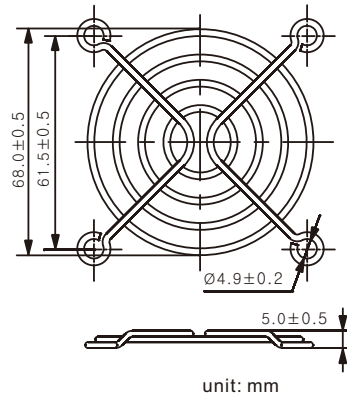
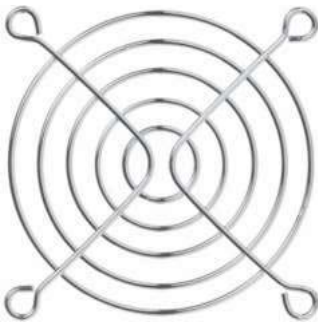
Notes:

- Materials: Bright basic wire.
- Finish: Bright nickel chrome plating.
 - (1) Rings are $\varnothing 1.6 \pm 0.1$ mm.
 - (2) Ribs are $\varnothing 1.6 \pm 0.1$ mm.
- Weld joints to withstand 88 lbs pull force.
- Part meets $\varnothing 6.35$ mm plug gauge test.

General Application:

The **FGW** series wire form fan guards are designed for tubeaxial fans in 40mm, 50mm, 60mm, 70mm, 80mm, 92mm, 120mm, 172mm, 220mm, 254mm size and other custom designs.

FGW-070A-1



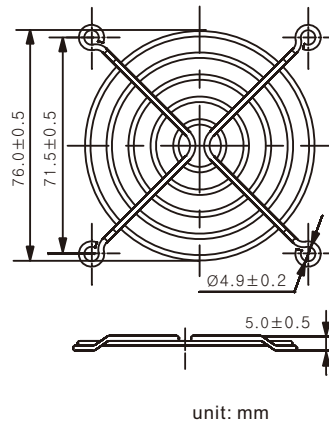
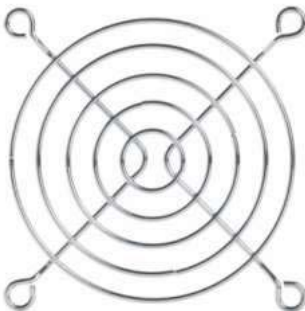
Fits for Fan Sizes :

70x70x10mm; 70x70x15mm
70x70x20mm; 70x70x25mm
70x70x38mm

Notes :

- Materials: Bright basic wire.
- Finish: Bright nickel chrome plating.
- (1) Rings are $\varnothing 1.6\pm 0.1$ mm.
- (2) Ribs are $\varnothing 1.6\pm 0.1$ mm.
- Weld joints to withstand 88 lbs pull force.
- Part meets $\varnothing 6.35$ mm plug gauge test.

FGW-080A-1



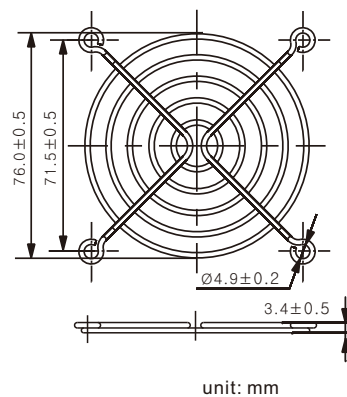
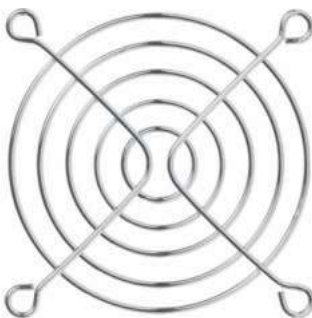
Fits for Fan Sizes :

80x80x10mm; 80x80x15mm
80x80x20mm; 80x80x25mm
80x80x32mm; 80x80x38mm

Notes :

- Materials: Bright basic wire.
- Finish: Bright nickel chrome plating.
- (1) Rings are $\varnothing 1.6\pm 0.1$ mm.
- (2) Ribs are $\varnothing 1.8\pm 0.1$ mm.
- Weld joints to withstand 88 lbs pull force.
- Part meets $\varnothing 6.35$ mm plug gauge test.

FGW-080B-1



Fits for Fan Sizes :

80x80x10mm; 80x80x15mm
80x80x20mm; 80x80x25mm
80x80x32mm; 80x80x38mm

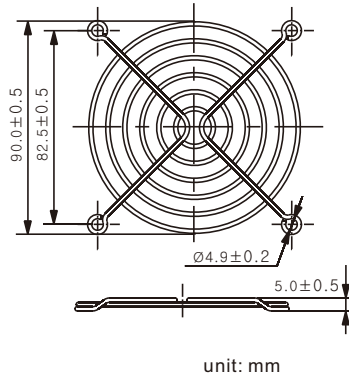
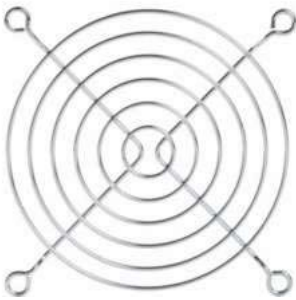
Notes :

- Materials: Bright basic wire.
- Finish: Bright nickel chrome plating.
- (1) Rings are $\varnothing 1.6\pm 0.1$ mm.
- (2) Ribs are $\varnothing 1.8\pm 0.1$ mm.
- Weld joints to withstand 88 lbs pull force.
- Part meets $\varnothing 6.35$ mm plug gauge test.

General Application:

The **FGW** series wire form fan guards are designed for tubeaxial fans in 40mm, 50mm, 60mm, 70mm, 80mm, 92mm, 120mm, 172mm, 220mm, 254mm size and other custom designs.

FGW-090A-1



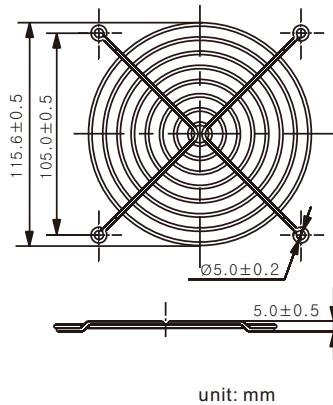
Fits for Fan Sizes :

92x92x25mm ; 92x92x32mm
92x92x38mm

Notes :

- Materials: Bright basic wire.
- Finish: Bright nickel chrome plating.
- (1) Rings are $\varnothing 1.6\pm 0.1$ mm.
- (2) Ribs are $\varnothing 1.8\pm 0.1$ mm.
- Weld joints to withstand 88 lbs pull force.
- Part meets $\varnothing 6.35$ mm plug gauge test.

FGW-120A-1



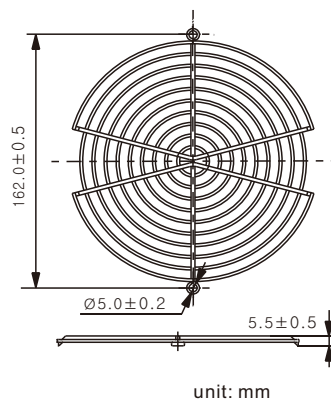
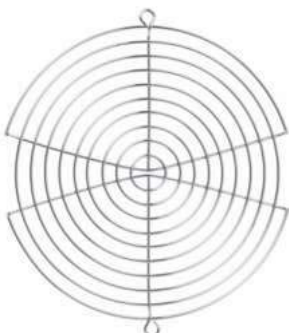
Fits for Fan Sizes :

120x120x25mm ; 120x120x32mm
120x120x38mm

Notes :

- Materials: Bright basic wire.
- Finish: Bright nickel chrome plating.
- (1) Rings are $\varnothing 1.8\pm 0.1$ mm.
- (2) Ribs are $\varnothing 1.8\pm 0.1$ mm.
- Weld joints to withstand 88 lbs pull force.
- Part meets $\varnothing 6.35$ mm plug gauge test.

FGW-162A-1



Fits for Fan Sizes :

172x150x38mm ; 172x150x51mm
 $\varnothing 172$ x51mm ; 172x151x55mm

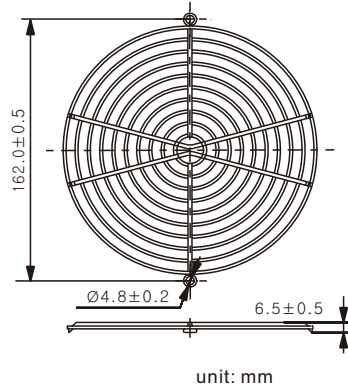
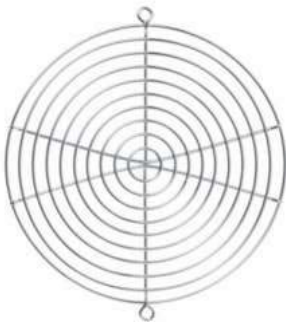
Notes :

- Materials: Bright basic wire.
- Finish: Bright nickel chrome plating.
- (1) Rings are $\varnothing 1.8\pm 0.1$ mm.
- (2) Ribs are $\varnothing 2.3\pm 0.1$ mm.
- Weld joints to withstand 88 lbs pull force.
- Part meets $\varnothing 6.35$ mm plug gauge test.

General Application:

The **FGW** series wire form fan guards are designed for tubeaxial fans in 40mm, 50mm, 60mm, 70mm, 80mm, 92mm, 120mm, 172mm, 220mm, 254mm size and other custom designs.

FGW-162A-5



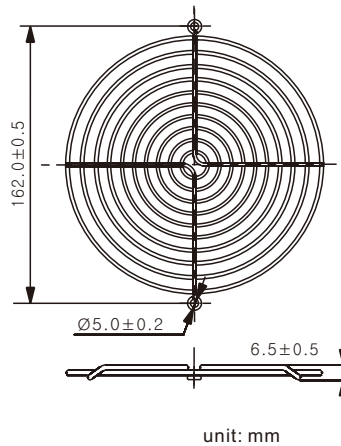
Fits for Fan Sizes :

172x150x38mm; 172x150x51mm
Ø172x51mm; 172x151x55mm

Notes :

- Materials: Bright basic wire.
- Finish: Bright nickel chrome plating.
 - (1) Rings are $\text{Ø}1.8\pm0.1\text{mm}$.
 - (2) Ribs are $\text{Ø}2.3\pm0.1\text{mm}$.
- Weld joints to withstand 88 lbs pull force.
- Part meets $\text{Ø}6.35\text{mm}$ plug gauge test.

FGW-162B-1



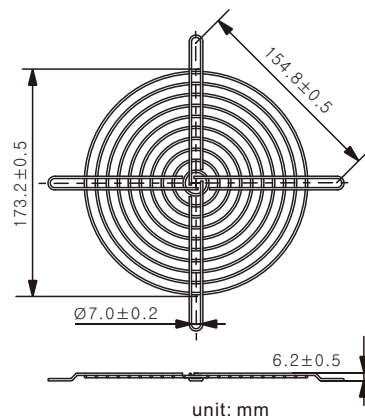
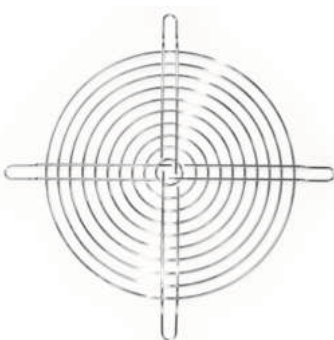
Fits for Fan Sizes :

172x150x38mm; 172x150x51mm
Ø172x51mm; 172x151x55mm

Notes :

- Materials: Bright basic wire.
- Finish: Bright nickel chrome plating.
 - (1) Rings are $\text{Ø}1.8\pm0.1\text{mm}$.
 - (2) Ribs are $\text{Ø}1.8\pm0.1\text{mm}$.
- Weld joints to withstand 88 lbs pull force.
- Part meets $\text{Ø}6.35\text{mm}$ plug gauge test.

FGW-180A-1



Fits for Fan Sizes :

180x180x65mm; 180x180x90mm

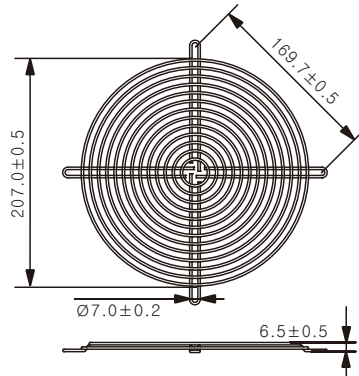
Notes :

- Materials: Bright basic wire.
- Finish: Bright nickel chrome plating.
 - (1) Rings are $\text{Ø}1.8\pm0.1\text{mm}$.
 - (2) Ribs are $\text{Ø}1.8\pm0.1\text{mm}$.
- Weld joints to withstand 88 lbs pull force.
- Part meets $\text{Ø}6.35\text{mm}$ plug gauge test.

General Application:

The **FGW** series wire form fan guards are designed for tubeaxial fans in 40mm, 50mm, 60mm, 70mm, 80mm, 92mm, 120mm, 172mm, 220mm, 254mm size and other custom designs.

FGW-200A-1



unit: mm

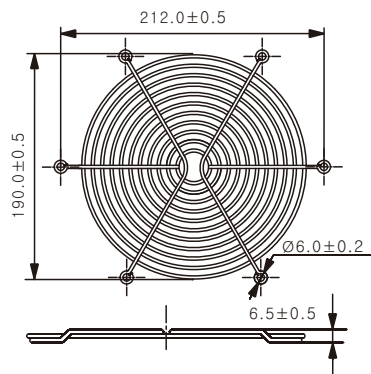
Fits for Fan Sizes:

200x200x60mm; 225x225x80mm

Notes:

- Materials: Bright basic wire.
- Finish: Bright nickel chrome plating.
 - (1) Rings are $\text{Ø}1.8\pm0.1\text{mm}$.
 - (2) Ribs are $\text{Ø}2.0\pm0.1\text{mm}$.
- Weld joints to withstand 88 lbs pull force.
- Part meets $\text{Ø}6.35\text{mm}$ plug gauge test.

FGW-220A-1



unit: mm

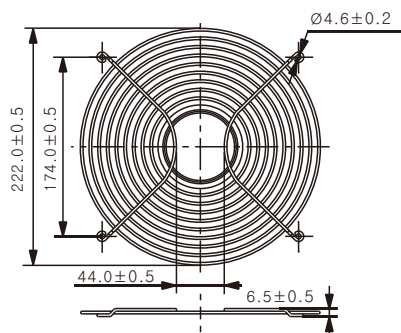
Fits for Fan Size:

$\text{Ø}220\text{x}60\text{mm}$; $\text{Ø}222\text{x}60\text{mm}$

Notes:

- Materials: Bright basic wire.
- Finish: Bright nickel chrome plating.
 - (1) Rings are $\text{Ø}1.8\pm0.1\text{mm}$.
 - (2) Ribs are $\text{Ø}1.8\pm0.1\text{mm}$.
- Weld joints to withstand 88 lbs pull force.
- Part meets $\text{Ø}6.35\text{mm}$ plug gauge test.

FGW-250A-1



unit: mm

Fits for Fan Size:

$\text{Ø}254\text{x}89\text{mm}$

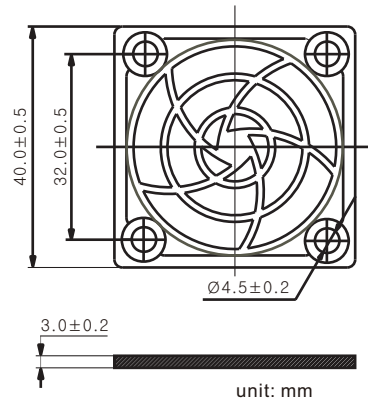
Notes:

- Materials: Bright basic wire.
- Finish: Bright nickel chrome plating.
 - (1) Rings are $\text{Ø}2.3\pm0.1\text{mm}$.
 - (2) Ribs are $\text{Ø}2.3\pm0.1\text{mm}$.
- Weld joints to withstand 88 lbs pull force.
- Part meets $\text{Ø}6.35\text{mm}$ plug gauge test.

General Application:

The **FGP** series plastic fan guard are designed for tubeaxial fans in 60mm,80mm,92mm,120mm,172mm size and other custom designs.

FGP-040A-1



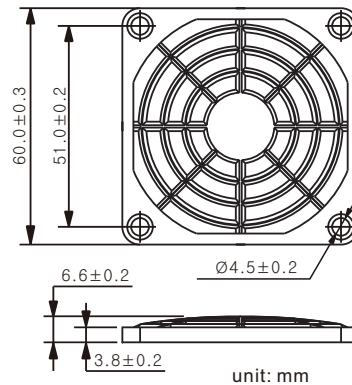
Fits for Fan Sizes :

40x40x07mm ; 40x40x10mm
40x40x15mm ; 40x40x20mm
40x40x28mm

Notes :

- Materials: PP RoHS, UL rated 94V-0.
- Ring spacing complies with safety agency regulations.
- Flat surface design with mounting holes.

FGP-060A-1



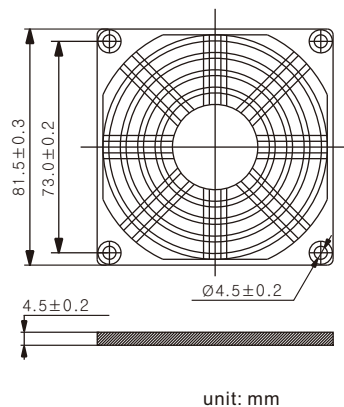
Fits for Fan Sizes :

60x60x10mm ; 60x60x15mm
60x60x20mm ; 60x60x25mm
60x60x38mm

Notes :

- Materials: PP RoHS, UL rated 94V-0.
- Ring spacing complies with safety agency regulations.
- Flat surface design with mounting holes.

FGP-080A-1



Fits for Fan Sizes :

80x80x10mm ; 80x80x15mm
80x80x20mm ; 80x80x25mm
80x80x32mm ; 80x80x38mm

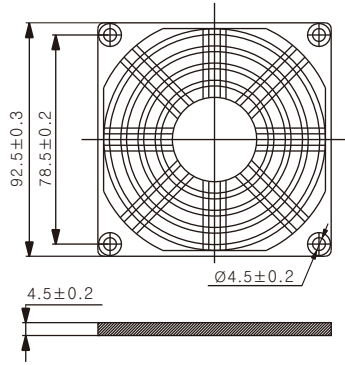
Notes :

- Materials: PP RoHS, UL rated 94V-0.
- Ring spacing complies with safety agency regulations.
- Flat surface design with mounting holes.

General Application:

The **FGP** series plastic fan guard are designed for tubeaxial fans in 60mm, 80mm, 92mm, 120mm, 172mm size and other custom designs.

FGP-090A-1



unit: mm

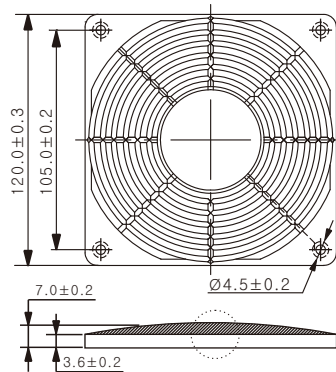
Fits for Fan Sizes :

92x92x25mm ; 92x92x32mm
92x92x38mm

Notes :

- Materials: PP RoHS, UL rated 94V-0.
- Ring spacing complies with safety agency regulations.
- Flat surface design with mounting holes.

FGP-120C-1



unit: mm

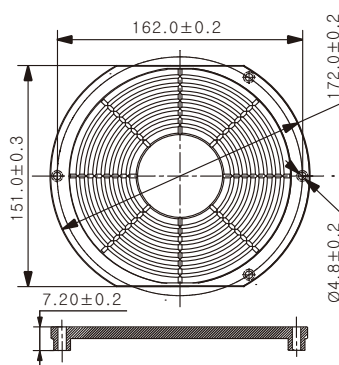
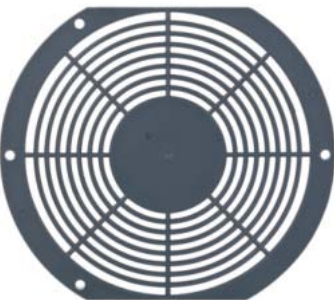
Fits for Fan Sizes :

120x120x25mm ; 120x120x32mm
120x120x38mm

Notes :

- Materials: PP RoHS, UL rated 94V-0.
- Ring spacing complies with safety agency regulations.
- Arc surface design with mounting holes.

FGP-162A-1



unit: mm

Fits for Fan Sizes :

172x150x38mm ; 172x150x51mm

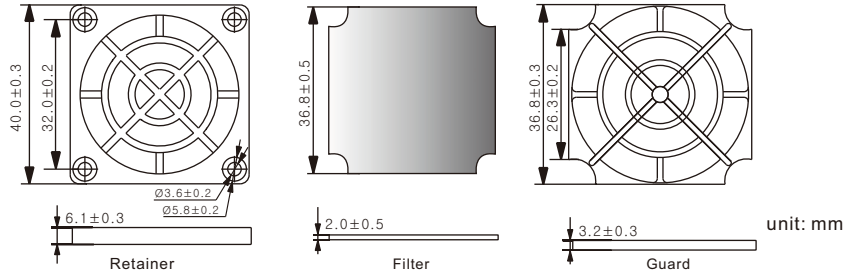
Notes :

- Materials: PP RoHS, UL rated 94V-0.
- Ring spacing complies with safety agency regulations.
- Flat surface design with mounting holes.

General Application:

The **FPF** series plastic fan filter are designed for tubeaxial fans in 40mm, 60mm, 80mm, 92mm, 120mm, 172mm size and other custom designs.

FPF-040A-40



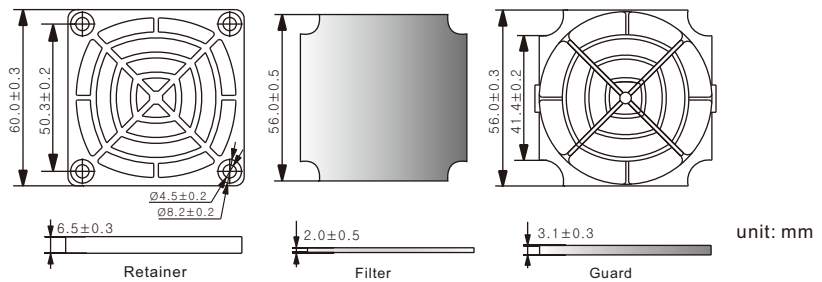
Fits for Fan Sizes:

40x40x07mm; 40x40x10mm
40x40x15mm; 40x40x20mm
40x40x28mm

Notes:

- Retainer & Guard Material: Flame retardant ABS plastic, rated UL94V-0.
- Retainer & Guard Color: Standard black.
- Filter Material: Polyurethane foam (PU) or Synthetic fiber (Nylon).
- Filter Density: 40ppi, 60ppi (pores per inch).

FPF-060A-40



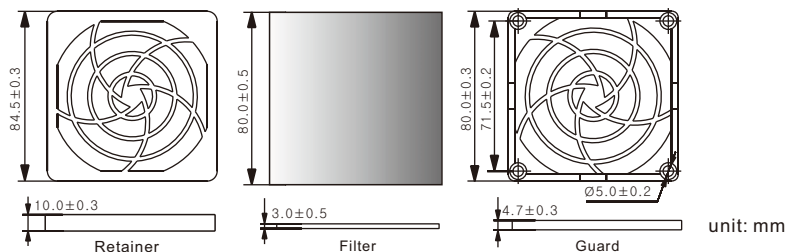
Fits for Fan Sizes:

60x60x10mm; 60x60x15mm
60x60x20mm; 60x60x25mm
60x60x38mm

Notes:

- Retainer & Guard Material: Flame retardant ABS plastic, rated UL94V-0.
- Retainer & Guard Color: Standard black.
- Filter Material: Polyurethane foam (PU) or Synthetic fiber (Nylon).
- Filter Density: 40ppi, 60ppi (pores per inch).

FPF-080A-40



Fits for Fan Sizes:

80x80x10mm; 80x80x15mm
80x80x20mm; 80x80x25mm
80x80x32mm; 80x80x38mm

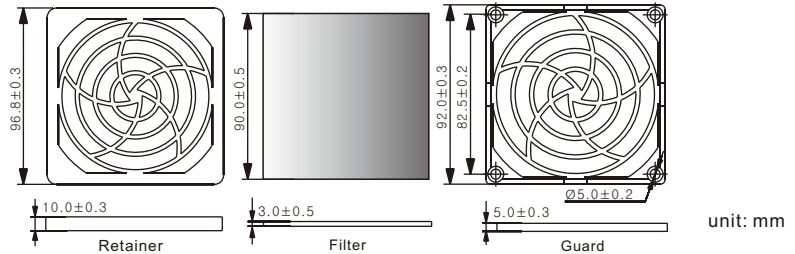
Notes:

- Retainer & Guard Material: Flame retardant ABS plastic, rated UL94V-0.
- Retainer & Guard Color: Standard black.
- Filter Material: Polyurethane foam (PU) or Synthetic fiber (Nylon).
- Filter Density: 40ppi, 60ppi (pores per inch).

General Application:

The **FPF** series plastic fan filter are designed for tubeaxial fans in 40mm,60mm, 80mm,92mm,120mm,172mm size and other custom designs.

FPF-090A-40



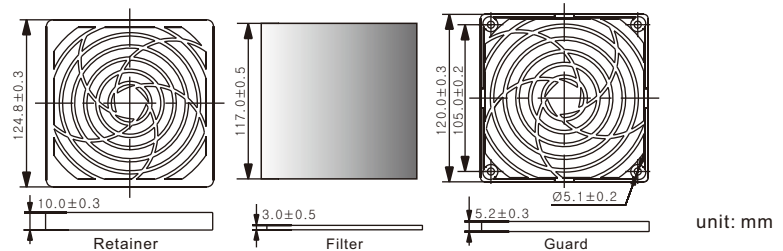
Fits for Fan Sizes :

90x90x25mm
90x90x32mm
90x90x38mm

Notes :

- Retainer & Guard Material: Flame retardant ABS plastic, rated UL94V-0.
- Retainer & Guard Color: Standard black.
- Filter Material: Polyurethane foam (PU) or Synthetic fiber (Nylon).
- Filter Density: 40ppi, 60ppi (pores per inch).

FPF-120A-40



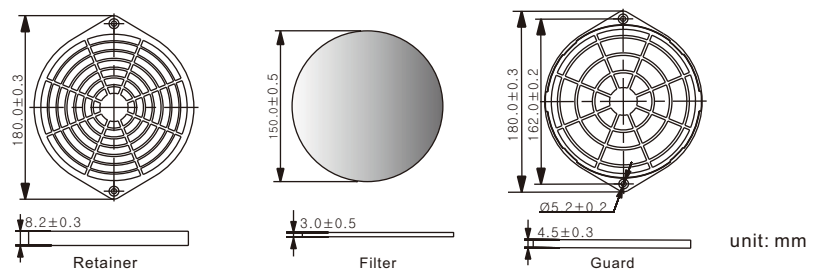
Fits for Fan Sizes :

120x120x25mm
120x120x32mm
120x120x38mm

Notes :

- Retainer & Guard Material: Flame retardant ABS plastic, rated UL94V-0.
- Retainer & Guard Color: Standard black.
- Filter Material: Polyurethane foam (PU) or Synthetic fiber (Nylon).
- Filter Density: 40ppi, 60ppi (pores per inch).

FPF-162A-40



Fits for Fan Sizes :

172x150x38mm
172x150x55mm

Notes :

- Retainer & Guard Material: Flame retardant ABS plastic, rated UL94V-0.
- Retainer & Guard Color: Standard black.
- Filter Material: Polyurethane foam (PU) or Synthetic fiber (Nylon).
- Filter Density: 40ppi, 60ppi (pores per inch).

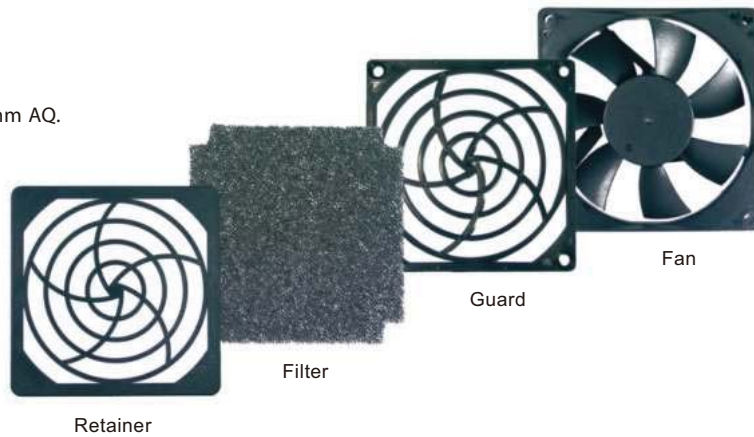
General Application:

The **FPF** series plastic fan filter are designed for tubeaxial fans in 40mm,60mm, 80mm,92mm, 120mm,172mm size and other custom designs.

Plastic Fan Filter Assemblies

General Specifications:

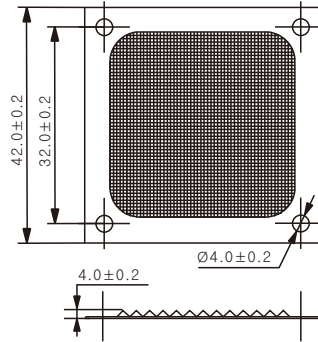
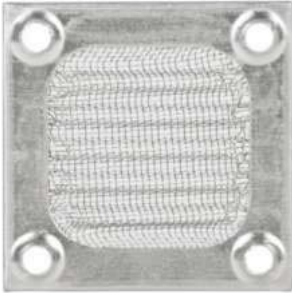
- Pressing damages of filter:
Initial period 6.9mm AQ, final stage 24mm AQ.
- Maximum wind speed: 2.0M³ /sec.
- Effective wind speed: 50M³ /min.
- Use Scope: Indoor-10°C to 55°C.
- Dust removal rate: up to 90%.



General Application:

- The **FFA** series aluminum fan filters are designed for tubeaxial fan in 40mm, 60mm, 80mm, 92mm, 120mm, 172mm size.
- Specially designed to allow effective filtering while maximizing airflow.
- Mill finish enhances EMI/RFI shielding and improves durability.

FFA-040A-1



unit: mm

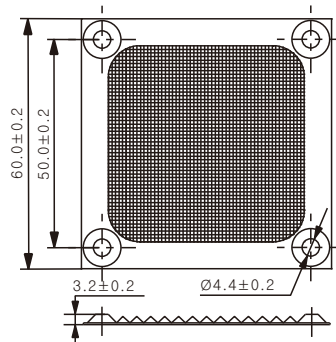
Fits for Fan Sizes:

40x40x07mm; 40x40x10mm
40x40x15mm; 40x40x20mm
40x40x28mm

Notes:

- Frame: Aluminum with 1.6mm thickness.
- Mesh: 30*30 mesh convoluted approx 1/8" deep with approx. 3/16" pitch.

FFA-060A-1



unit: mm

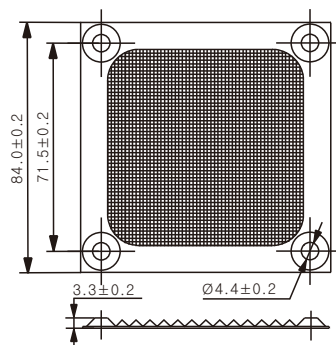
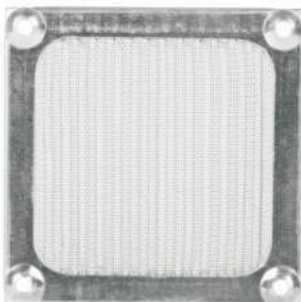
Fits for Fan Sizes:

60x60x10mm; 60x60x15mm
60x60x20mm; 60x60x25mm
60x60x38mm

Notes:

- Frame: Aluminum with 1.6mm thickness.
- Mesh: 30*30 mesh convoluted approx 1/8" deep with approx. 3/16" pitch.

FFA-080A-1



unit: mm

Fits for Fan Sizes:

80x80x10mm; 80x80x15mm
80x80x20mm; 80x80x25mm
80x80x32mm; 80x80x38mm

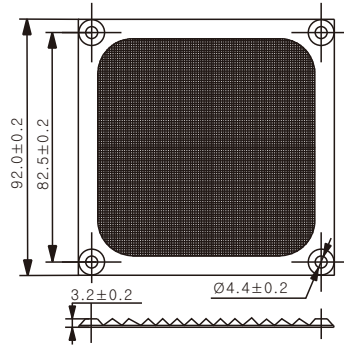
Notes:

- Frame: Aluminum with 1.6mm thickness.
- Mesh: 30*30 mesh convoluted approx 1/8" deep with approx. 3/16" pitch.

General Application:

- The **FFA** series aluminum fan filters are designed for tubeaxial fan in 40mm, 60mm, 80mm, 92mm, 120mm, 172mm size.
- Specially designed to allow effective filtering while maximizing airflow.
- Mill finish enhances EMI/RFI shielding and improves durability.

FFA-090A-1



unit: mm

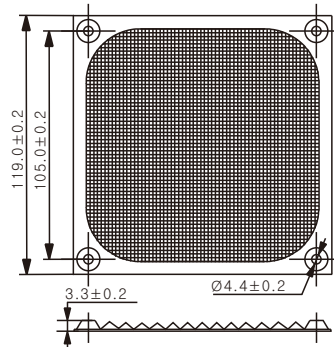
Fits for Fan Sizes:

92x92x25mm; 92x92x32mm
92x92x38mm

Notes:

- Frame: Aluminum with 1.6mm thickness.
- Mesh: 30*30 mesh convoluted approx 1/8" deep with approx. 3/16" pitch.

FFA-120A-1



unit: mm

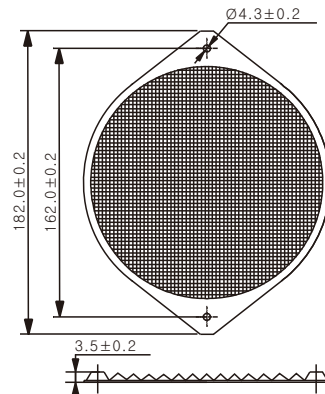
Fits for Fan Sizes:

120x120x25mm; 120x120x32mm
120x120x38mm

Notes:

- Frame: Aluminum with 1.6mm thickness.
- Mesh: 30*30 mesh convoluted approx 1/8" deep with approx. 3/16" pitch.

FFA-162A-1



unit: mm

Fits for Fan Sizes:

172x150x38mm 172x150x55mm

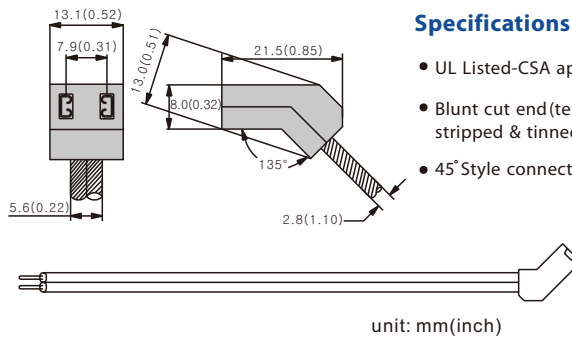
Notes:

- Frame: Aluminum with 1.6mm thickness.
- Mesh: 30*30 mesh convoluted approx 1/8" deep with approx. 3/16" pitch.

General Application:

- The FPC series power cords come in a variety of lengths, connector designs, and cordends.
- This line of fan cords is suitable for all tube axial fans with a terminal connector.
- The connectors are available in three configurations while the cord ends can be blunt cut or power plug.
- Cord lengths come in 12", 24", 36", 48", 60", 72", 84", 96", 108", and 120".
- Custom designs and lengths are available upon request.

FPC-VxxW Series

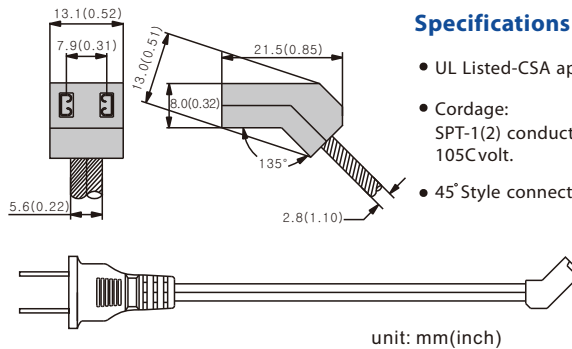


Specifications:

- UL Listed-CSA approved.
- Blunt cut end (terminated or stripped & tinned available).
- 45° Style connector (V Type).

Part Number	Cord Length	
	mm	inch
FPC-V12W	305	12
FPC-V24W	610	24
FPC-V36W	915	36
FPC-V48W	1220	48
FPC-V60W	1525	60
FPC-V72W	1830	72
FPC-V84W	2130	84
FPC-V96W	2440	96
FPC-V108W	2745	108
FPC-V120W	3050	120

FPC-VxxP Series

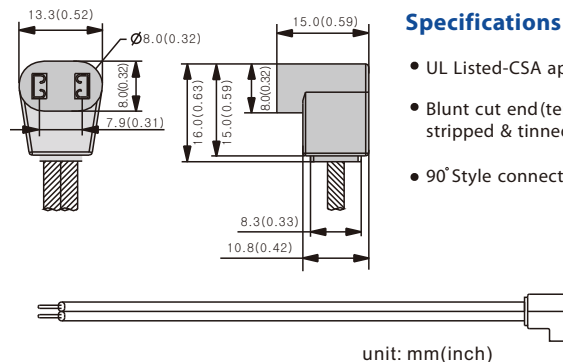


Specifications:

- UL Listed-CSA approved.
- Cordage:
SPT-1(2) conductor black
105C volt.
- 45° Style connector (V Type).

Part Number	Cord Length	
	mm	inch
FPC-V12P	305	12
FPC-V24P	610	24
FPC-V36P	915	36
FPC-V48P	1220	48
FPC-V60P	1525	60
FPC-V72P	1830	72
FPC-V84P	2130	84
FPC-V96P	2440	96
FPC-V108P	2745	108
FPC-V120P	3050	120

FPC-LxxW Series



Specifications:

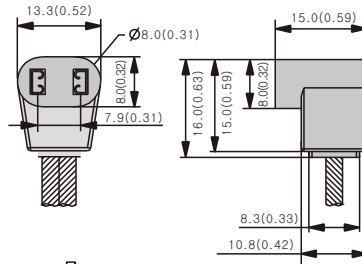
- UL Listed-CSA approved.
- Blunt cut end (terminated or stripped & tinned available).
- 90° Style connector (L Type).

Part Number	Cord Length	
	mm	inch
FPC-L12W	305	12
FPC-L24W	610	24
FPC-L36W	915	36
FPC-L48W	1220	48
FPC-L60W	1525	60
FPC-L72W	1830	72
FPC-L84W	2130	84
FPC-L96W	2440	96
FPC-L108W	2745	108
FPC-L120W	3050	120

General Application:

- The **FPC** series power cords come in a variety of lengths, connector designs, and cordends.
- This line of fan cords is suitable for all tube axial fans with a terminal connector.
- The connectors are available in three configurations while the cord ends can be blunt cut or power plug.
- Cord lengths come in 12", 24", 36", 48", 60", 72", 84", 96", 108", and 120".
- Custom designs and lengths are available upon request.

FPC-LxxP Series



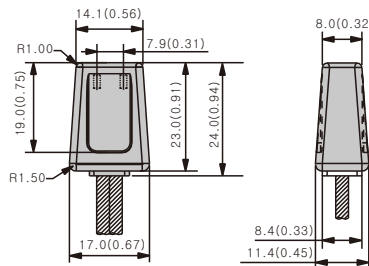
Specifications:

- UL Listed-CSA approved.
- Cordage: SPT-1(2) conductor black 105C volt.
- 90° Style connector (L Type).

Part Number	Cord Length	
	mm	inch
FPC-L12P	305	12
FPC-L24P	610	24
FPC-L36P	915	36
FPC-L48P	1220	48
FPC-L60P	1525	60
FPC-L72P	1830	72
FPC-L84P	2130	84
FPC-L96P	2440	96
FPC-L108P	2745	108
FPC-L120P	3050	120

unit: mm(inch)

FPC-SxxW Series



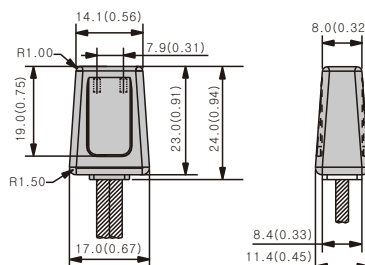
Specifications:

- UL Listed-CSA approved.
- Blunt cut end (terminated or stripped & tinned available).
- 180° Style connector (S Type).

Part Number	Cord Length	
	mm	inch
FPC-S12W	305	12
FPC-S24W	610	24
FPC-S36W	915	36
FPC-S48W	1220	48
FPC-S60W	1525	60
FPC-S72W	1830	72
FPC-S84W	2130	84
FPC-S96W	2440	96
FPC-S108W	2745	108
FPC-S120W	3050	120

unit: mm(inch)

FPC-SxxP Series



Specifications:

- UL Listed-CSA approved.
- Cordage: SPT-1(2) conductor black 105C volt.
- 180° Style connector (S Type).

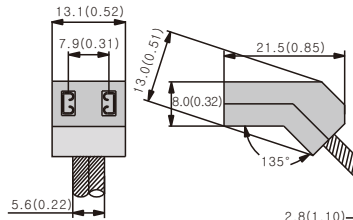
Part Number	Cord Length	
	mm	inch
FPC-S12P	305	12
FPC-S24P	610	24
FPC-S36P	915	36
FPC-S48P	1220	48
FPC-S60P	1525	60
FPC-S72P	1830	72
FPC-S84P	2130	84
FPC-S96P	2440	96
FPC-S108P	2745	108
FPC-S120P	3050	120

unit: mm(inch)

General Application:

- The **FPC** series power cords come in a variety of lengths, connector designs, and cordends.
- This line of fan cords is suitable for all tube axial fans with a terminal connector.
- The connectors are available in three configurations while the cord ends can be blunt cut or power plug.
- Cord lengths come in 12", 24", 36", 48", 60", 72", 84", 96", 108", and 120".
- Custom designs and lengths are available upon request.

FPC-V_{xx}W-7D2 Daisy Chain Series

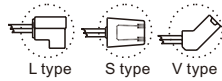


Specifications:

- UL Listed-CSA approved.
- Blunt cut end (terminated or stripped & tinned available).
- 45° Style connector (V Type).
- Additional connectors: 2 to 12.

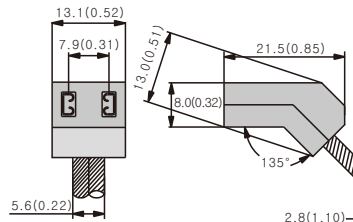
Part Number	Cord Length	
	mm	inch
FPC-V12W-7D2	305	12
FPC-V24W-7D2	610	24
FPC-V36W-7D2	915	36
FPC-V48W-7D2	1016	48
FPC-V60W-7D2	1270	60
FPC-V72W-7D2	1830	72
FPC-V84W-7D2	2130	84
FPC-V96W-7D2	2440	96
FPC-V108W-7D2	2745	108
FPC-V120W-7D2	3050	120

Available types of connector



unit: mm(inch)

FPC-V_{xx}P-7D2 Daisy Chain Series

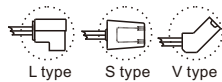


Specifications:

- UL Listed-CSA approved.
- Cordage: SPT-1(2) conductor black 105C volt.
- 45° Style connector (V Type).
- Additional connectors: 2 to 12.

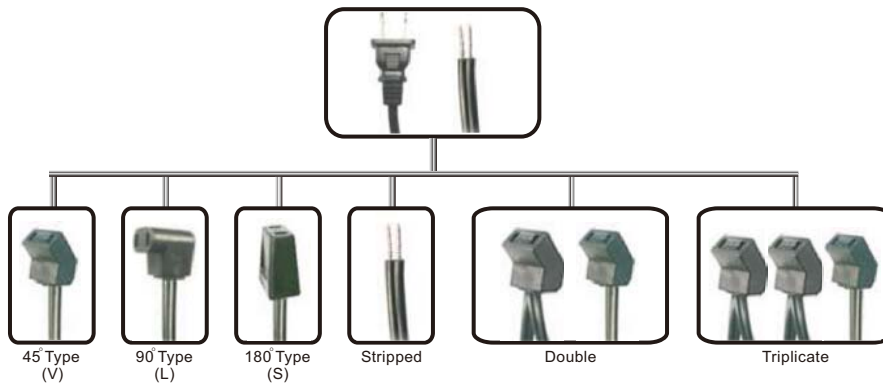
Part Number	Cord Length	
	mm	inch
FPC-V12P-7D2	305	12
FPC-V24P-7D2	610	24
FPC-V36P-7D2	915	36
FPC-V48P-7D2	1220	48
FPC-V60P-7D2	1525	60
FPC-V72P-7D2	1830	72
FPC-V84P-7D2	2130	84
FPC-V96P-7D2	2440	96
FPC-V108P-7D2	2745	108
FPC-V120P-7D2	3050	120

Available types of connector



unit: mm(inch)

Available Power Cord Combination



Characteristic Measurement

Airflow Measurement

Fan airflow performance curves are obtained by using the Double-Chamber method based on AMCA standard. The difference between the pressures before and after the nozzle (differential pressure P_n) is measured to obtain the airflow at the nozzle. Static pressure P_s is also measured and recorded. The auxiliary blower cancels out the aerodynamic resistance. Airflow rate is calculated by the following equation:

$$Q = 60 A \times V$$

where

Q: airflow rate(m^3/min)

A: nozzle sectional area (m^2)

V: average flow velocity through nozzle (M/sec)

$$V = [2 g P_n / r]$$

where

g: gravitational acceleration, $9.8m/s^2$

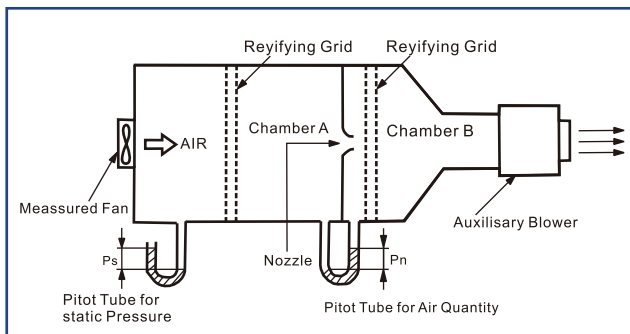
P_n : differential pressure (mm H₂O)

P_s : static pressure

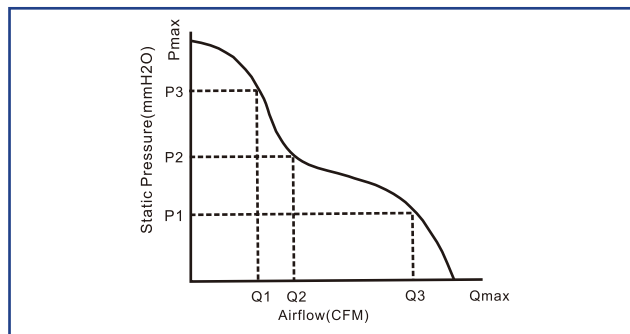
r: specific gravity of air, $1.2 kg/m^3$ at $20^\circ C$, 1atm

Maximum airflow: when opening the nozzle and absorbing the air using the auxiliary blower to make the static pressure (P_s) equal to zero, the differential pressure between chamber A and B, P_n will be at its maximum value. Plug this P_n value to the above equation will result in the maximum airflow rate.

Maximum static pressure: if the nozzle is closed, then the pressure in the static chamber A will be at its maximum value. The differential pressure, P_s , between the ambient air pressure and the pressure in the chamber can now be considered the maximum static pressure.



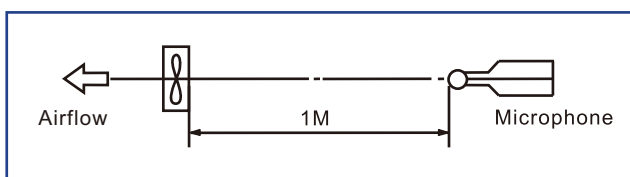
The Measuring Method-double Chamber



Fan Airflow vs. Static Pressure Characteristic Curve

Acoustic Noise Level Measurement

Noise is measured in accordance with ISO7779 standards in an Anechoic Chamber with less than 18.6 dBA background noise. The cooling fans being tested runs in free airflow and a noise meter is set one meter away from the air entrance and 90 degrees to the fan.



Noise Test of Cooling Fan

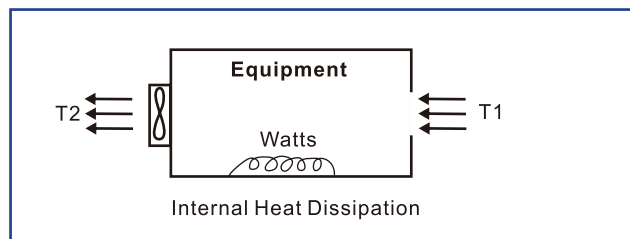
How to Choose a Fan (1)

In thermal management, fans are classified as objects that forces air at a volumetric rate to cool certain devices, like a CPU microprocessor. There are numerous types of air moving products including axial, propeller, and tubeaxial fans. Other air movers consist of impellers and blowers (centrifugal & crossflow). Fans, impellers, and blowers could be distinguished by their size, shape, but more importantly, the flow of air (measured in CFM) given the static air pressure.

How To Choose The Right One For Your Application?

Measuring Heat

The main purpose of a fan is to cool other components; therefore, the most important factor to consider before choosing a fan is exactly how much heat dissipation is necessary. The amount of heat transferred could be derived using the following equation:



$$Q = m C_p \Delta T$$

Where,

Q = the amount of heat transferred to system, Watts C_p = the specific heat of air, J/kg x K

m = the mass flow rate of air, kg/s

ΔT = the desired air temperature differential (cabinet to ambient outside air), K

Yet, there is still a relationship between the mass flow rate and the volumetric flow rate.

$$m = rG$$

Where,

G = the volumetric flow rate, m³/s

r = the air density, kg/m³

Therefore, the required volumetric flow rate is then calculated as:

$$G = Q / (rC_p \Delta T)$$

By utilizing this formula, you can get an estimate of the airflow required to obtain the desired air temperature in ΔT . However, the actual operating airflow is determined by the intersection of the fan curve and the systems resistance curve. This point of intersection can be calculated using one of three approaches.

1) Airflow Network Methods:

For this approach to be effective requires certain criteria to be true. First, the flow path to the cabinet must be known or roughly estimated. Secondly, the geometry must remain simple, meaning the three-dimensional flow path cannot be complex.

How to Choose a Fan (II)

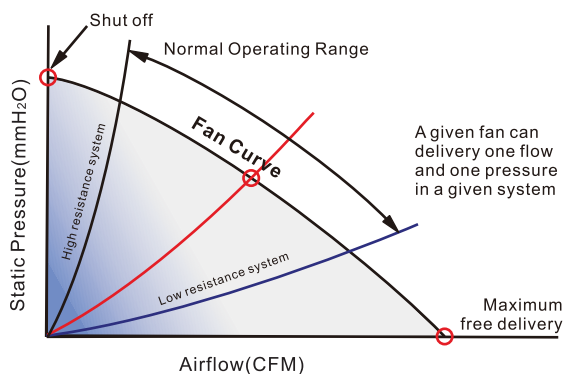
2) Computational Commercial Software:

When the flow path is more complicated, the use of computational fluid dynamics (CFD) may simplify things greatly. A fan's performance curve is used as reference input to the CFD software where the operating point and system resistance is determined. While taking into account the effects of turbulence and gravity, the CFD assesses the flow of air and heat transfer in a three dimensional view, mimicking real life applications. Even more complex calculations involving a series of fans in parallel formation can be easily analyzed using CFD software.

3) Experimental Evaluation Mockup of the System:

The total airflow or the system resistance curve can be measured using the experimental method. In this method, the operating airflow is obtained when the engineer superimposes the airflow and system resistance curve.

Regardless of how the operating airflow within a system is derived, all systems are depicted by a system resistance curve as the one shown below.



This non-linear expression of airflow versus static pressure can be stated as:

$$DP = KrGN$$

Where,

DP = system pressure loss

K = the load factor specific to the system

r = density of air

G = rate of airflow

N = a constant which varies between 1 and 2. If N=1, then airflow is completely laminar. If N=2, then completely turbulent.

Once actual airflow is determined, a comparison between actual and required airflow need to be evaluated. If the actual value is considerably less than the required value, the packaging system must be reexamined so the diminishment of airflow resistance can be asserted and renovated.

In summary, the first and foremost important factor to choosing your fan is determining the airflow and the required pressure to move the volumetric rate flow to dissipate heat within your system. Before first making this analysis, to determine other factors like fan dimension, bearing, and the need for special functions might be meaningless or irrelevant. This is an introduction to understand the main purpose of a fan and equations necessary to determine basis of fan selection.

How to Determine Fan Life (I)

Fan life can be measured using different techniques. Engineers in the industry use either L₁₀ or MTTF. L₁₀ measures life by assuming certain conditions of fan life distribution, at which ten percent of the sample units are tested and failed. L₁₀ is calculated based on temperature acceleration method defined in MIL-STD-781. Testing is usually conducted under 70 °C-80 °C.

MTTF or the mean time to failure is the average time before fans fail. Failure is defined as one of the following:

- (1) fan does not work,
- (2) RPM is 30% of origin, and
- (3) rated current is 30% of origin.

Usually, a test batch of samples is taken to ensure that the probability test is reliable.

Calculations of Life

L₁₀ Life (the minimum service life)

$$T (\text{forecast}) = T (\text{actual}) \times \text{FCC}$$

Where:

T (forecast) = the forecasted L₁₀ life under working temperature T_f usually 25 °C

T (actual) = the actual tested life under temperature T_a

FCC = the temperature accelerator = $2 \text{EXP}[(T_f - T_a) / 10]$

MTTF (Mean Time To Failure)

$$\text{A.F.} = e^{(H/K)} \times ((1/273 + T_L) - 1/(273 + T_H))$$

Where:

A.F. = Acceleration Factor is number of fan failed at T_L test divided by number of fan failed at T_H

273 = Absolute Temperature

e = Natural Log

AH = Activation Energy

K = Boltzmann's Constant = 8.623×10^{-5}

T_L = Tested Temperature Low = 50 °C

T_H = Tested Temperature High = 80 °C

How to Determine Fan Life (II)

Life characteristics are dependent on the combination of voltage, frequency, ambient temperature, mounting altitude, environment, and restriction to airflow conditions encountered in an individual application. The most important factor to failure is the bearings and its lubrication.

Bearing Type

The relationship between a fan and its bearing is positive. If the bearing breaks, so does the fan. The types of bearings include sleeve, one ball one sleeve, and dual ball.

The life hours increase as you move from left to right. Sleeve bearing, compared to ball bearing, tend to be quieter at the initial start and relatively less expensive. As for the ball bearing, it can operate better under extreme temperatures.



Sleeve bearings have a life around 30,000 hours or the equivalent of 6 years under normal, 8-hour conditions. At the initial point, a sleeve bearing fan is much quieter than a ball bearing. Over time, the sleeve bearings will start losing lubrication and will become noisier than its counterpart. On the other hand, the life of a ball bearing fan is typically twice as long as a sleeve bearing one. At initial use, the sleeve is much quieter. But if there is a rise in temperature, the sleeve bearing will lose lubrication much faster, leading to faster thermal breakdown. Still, sleeve fans remain relatively quiet up until the lubrication is gone; whereas ball bearing fans get noisier shortly after it starts.

Conclusion

As different companies use different approaches, it is useless to compare the life expectancy information from one company with that from other companies.

Thermal Engineers and Component Evaluation Engineers have to perform an independent comparative analysis when selecting a fan.

Parameters of importance in fan life analysis include failure criteria, the distribution functions for statistical analysis and the life test acceleration factors.

Once these parameters are selected, they should be used consistently in order to compare different fans. We hope the material presented here will help encourage standardization in fan life evaluation.

Units of Measure and Conversions

Airflow

1 CFM=0.0283 m ³ /min(CMM)	1 CFM=1.699 m ³ /hr
1 m ³ /min=35.31 CFM	1 m ³ /min=60 m ³ /hr
1 m ³ /min=16.67 ℓ/sec	1 ℓ/sec=0.06 m ³ /min
1 m ³ /hr=0.589 CFM	1 m ³ /hr=0.0167 m ³ /min

CFM	m ³ /min(CMM)	m ³ /hr
1	0.0283	1.699
35.31	1	60
0.589	0.0167	1

Static Pressure

1 Pa=0.102 mmH ₂ O	1 Pa=0.004 inchH ₂ O
1 mmH ₂ O=0.0394 inchH ₂ O	1 mmH ₂ O=9.81 Pa
1 inchH ₂ O=249 Pa	1 inchH ₂ O=25.4 mmH ₂ O

InchH ₂ O	mmH ₂ O	Pa
1	25.4	249
0.0394	1	9.81
0.004	0.102	1

The Basic Theory of Acoustic

Sound pressure level: SPL (dBA)

$$L_p = 20 \log \frac{p}{p_0} \text{ (dBA)} \dots\dots\dots (a) \quad p_0 = 20 \mu\text{Pa}$$

p_0 the reference sound pressure of human hearing system

L_p sound pressure level

Similarity algorithm of fan noise

$$N = 50 \log \frac{\text{rpm}_2}{\text{rpm}_1} - N_1 \dots\dots\dots (b)$$

N_1 noise level measured at rpm 1

N_2 noise level calculated by equation (b) at rpm 2

The equations for the relationship between distance and noise level measured at anechoic room.

$$L_p = L_w - 20 \log(r) - 11 \text{ [dBA]} \dots\dots\dots (c)$$

$$L_w = 10 \log \left(\frac{p^2}{p_0^2} \right) + 10 \log(4\pi r^2) \dots\dots\dots (d)$$

L_p sound pressure level

L_w sound intensity level

r distance in meter

According to equations (c) and (d), it's very clear that the noise level is reduced by 6 dBA when the distance is doubled.

Comparatively, the noise level will increase by 6 dBA when the distance is shortened by half.



USA

19929 Harrison Ave.
City of Industry, CA 91789
Tel: +1-909-598-6033
Fax: +1-909-598-6043

CHINA

2/F, Building D, Anfeng Industrial Park, Dalang Street, Longhua District,
Shenzhen, Guangdong, China.
Tel: +86-755-8209-0805
Fax: +86-755-2904-3077

2024 VER.

Cooltron® logo and Cooltron Fans® a registered trademarks of JMS Group